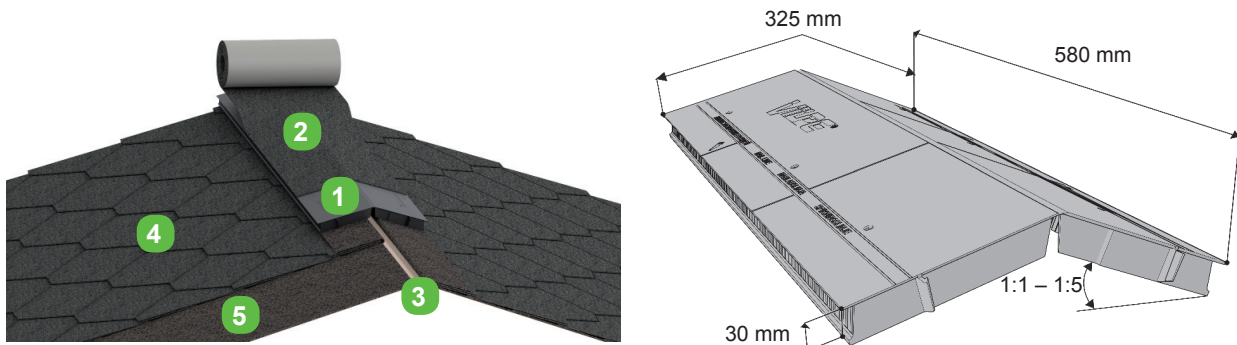


Installation Instructions for Kerabit Ridge Vent



Suitable for roofs with an inclination of 1:1 to 1:5. For the best appearance, install the ridge vents from end to end of the ridge.

1. Kerabit Ridge Vent
2. Kerabit Ridge Vent Strip 320 mm
3. Air Slot
4. Kerabit Roof Shingle
5. Kerabit Underlay

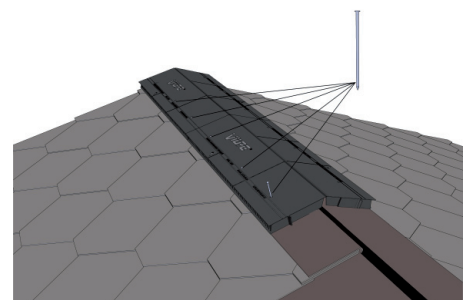
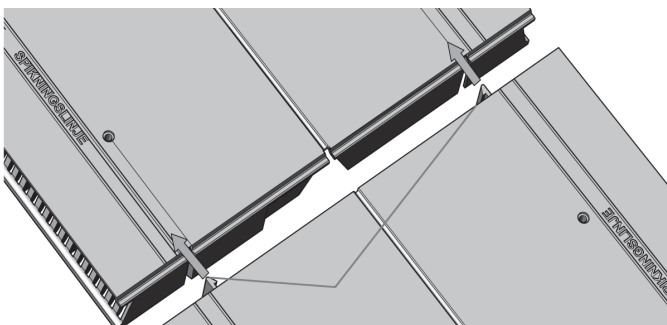
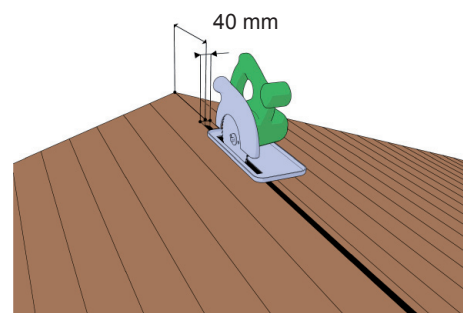
Before installation, ensure that there are no impediments to air flow in the roof structures. When using a ridge vent, saw or leave a 40 mm slot at the ridge which extends 150 mm from the exterior wall. See further information about roof shapes at the end of the Installation Instructions.

If the ridge vent is installed on a bitumen shingle roof, the underlay should be extended around 155 mm over the slot. After the bitumen shingles have been installed, fold the underlay away from the slot over the bitumen shingles in order to achieve an even surface to mount the ridge vent. Cover the wood underlay at the ends of the ridge with a piece of underlay membrane, ensuring that the wood underlay remains invisible.

Nail or screw the ridge vent on top of the underlay membrane. Make sure that the underlay is not visible from below the ridge vent and that the ventilation slots are left unblocked. On existing bitumen roofs with no underlay, use an underlayer strip to caulk between low areas of shingle and the flange of the vent. The underlayer strip is sealed with bitumen sealant.

Installation instruction

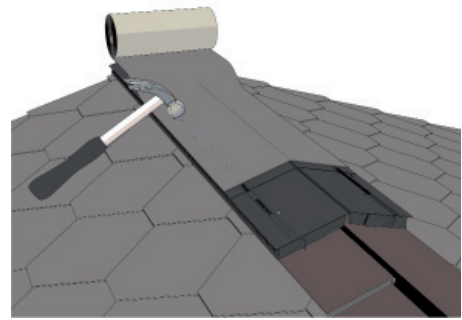
1. Mark the slot width at both ends of the ridge. Mark the sawing line with coloured yarn.
2. Cut slot (plumb cut). Remove debris from the slot.
3. Begin installing the ridge vents at the end of the roof. Join the vents together and make sure that they sit flat against the bitumen roofing. Attach the vents with roofing nails or screws to the sheathing. Use the ready-made holes in the ridge vents. The nails or screws must be long enough to penetrate the sheathing.



Kerabit

Tuotteet

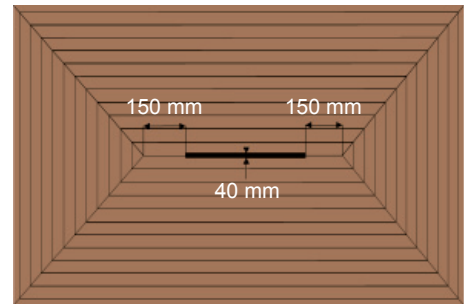
4. Measure and cut the final ridge vent so that it is flush with the end of the roof. Install the uncut edge so that it is outermost.
5. Install the Kerabit ridge vent strip over the ridge vent. Remove the release film from the back of the strip and press the strip against the ridge vent. Install the strip using butt seams, ensuring that they are placed at least 200 mm away from the ridge vent seams.



Hip roof

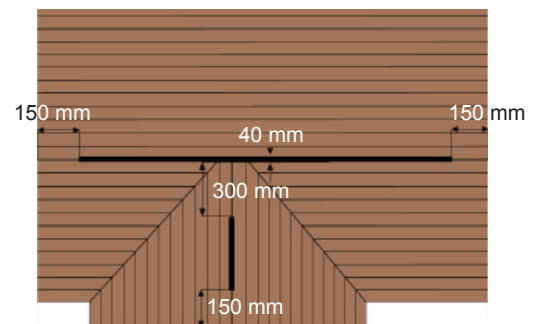
Cut the vents as shown in the figure.

Cut or leave a 40 mm slot at the ridge. Leave an uncut section of 150 mm at both ends.



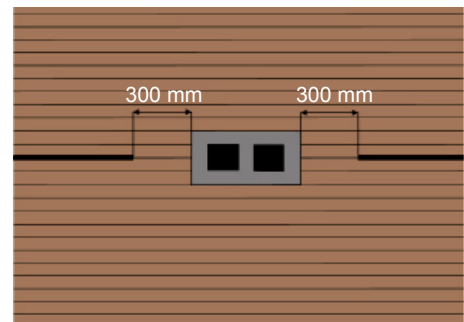
L and T-shaped roofs

Cut the slots in L and T shaped roofs as shown.



Chimney

Leave 300 mm of uncut ridge on both sides of the chimney. Install the ridge vents to the end of the roof to butt against the chimney.



Renovation

To achieve optimum ventilation efficiency, existing air slots should be removed or plugged. Check that the fresh air inlets are open and functional. Remove bitumen shingles and underlay 60 mm on both sides of the ridge centreline. Install the ridge vent as shown in the Instructions.

24 August 2016 / T80076