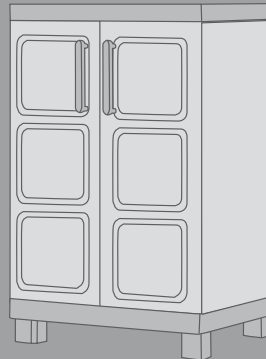
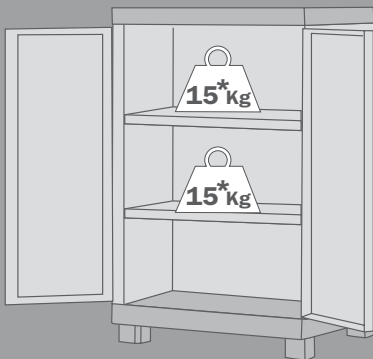
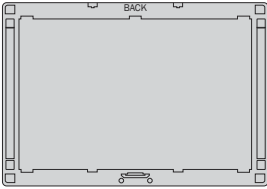
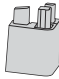
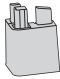



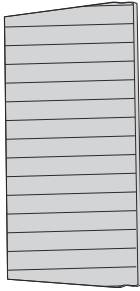


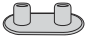







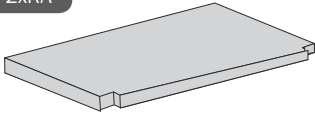




EXCELLENCE

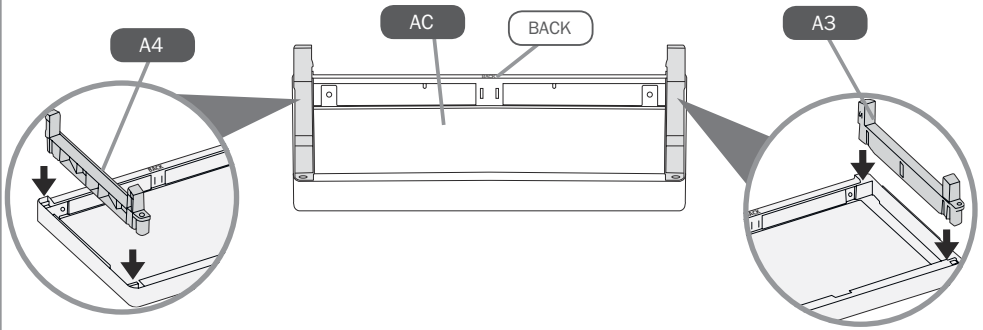
cm 65x45x97 h



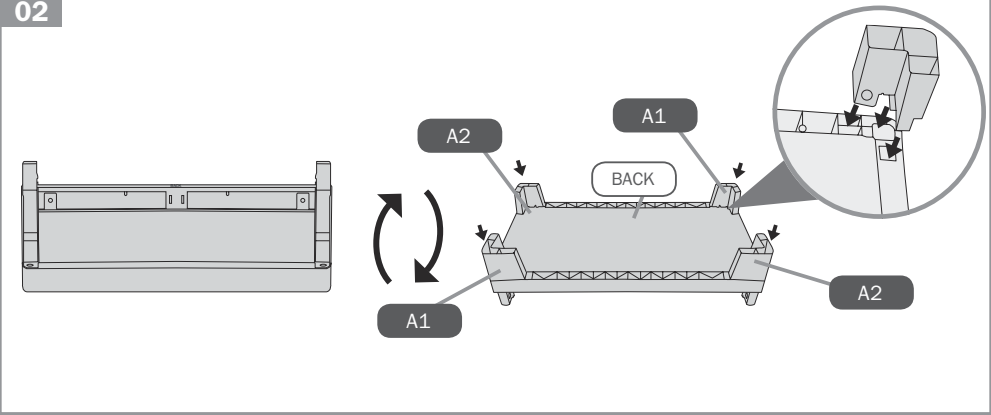
* Distribué uniformement - Uniformemente distribuido - Distribuiti uniformemente - Equally distributed

<p>2xAC</p> 	<p>2xA1</p> 	<p>2xA2</p> 	
	<p>2xA3</p> 	<p>2xA4</p> 	
<p>2xB1</p> 	<p>1x</p> 	<p>2xC2</p> 	
		<p>4xT</p> 	<p>2xTT</p> 
<p>2xD</p> 	<p>1xCDS/CDSL</p> 	<p>1xCLS</p> 	<p>2xTMB</p> 
	<p>1xCDD/CDDL</p> 	<p>1xCLD</p> 	<p>2xBMB</p> 
<p>2xRA</p> 	<p>4x [4,2X22mm]</p> 	<p>4x [3,9X16mm]</p> 	

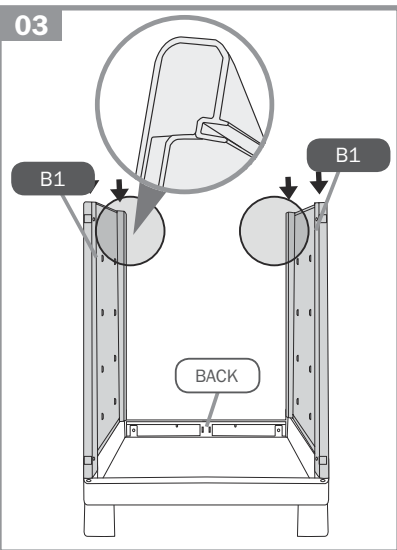
01



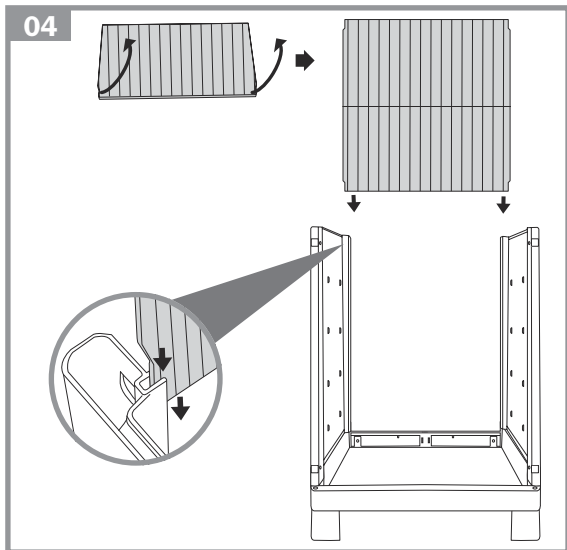
02



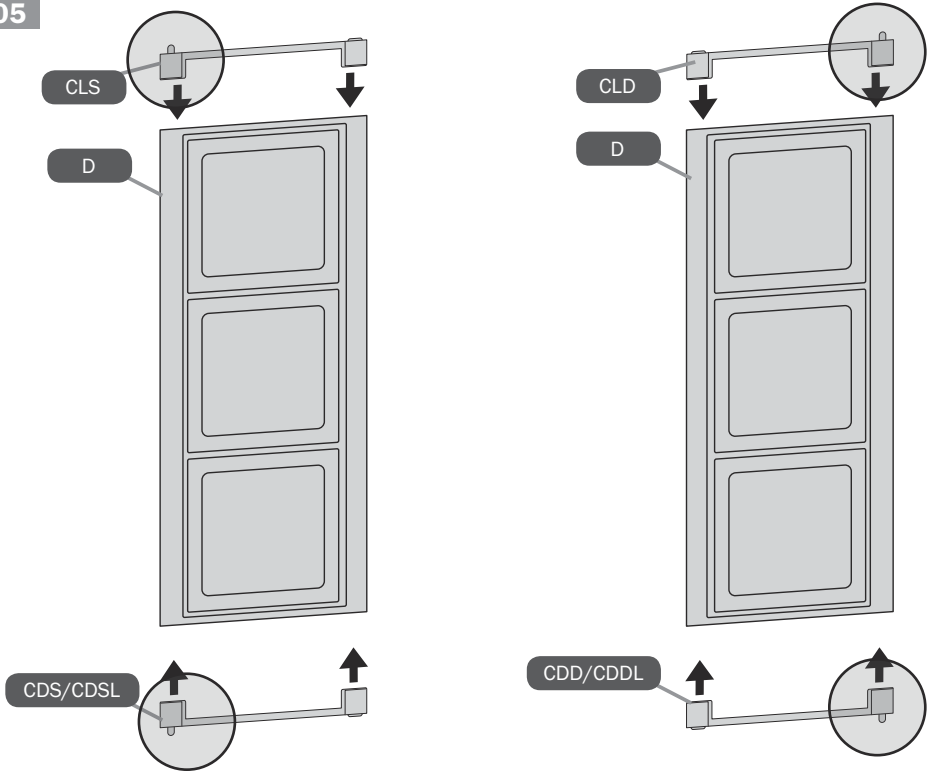
03



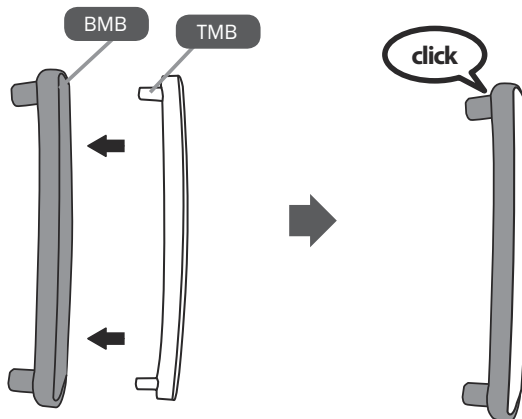
04



05



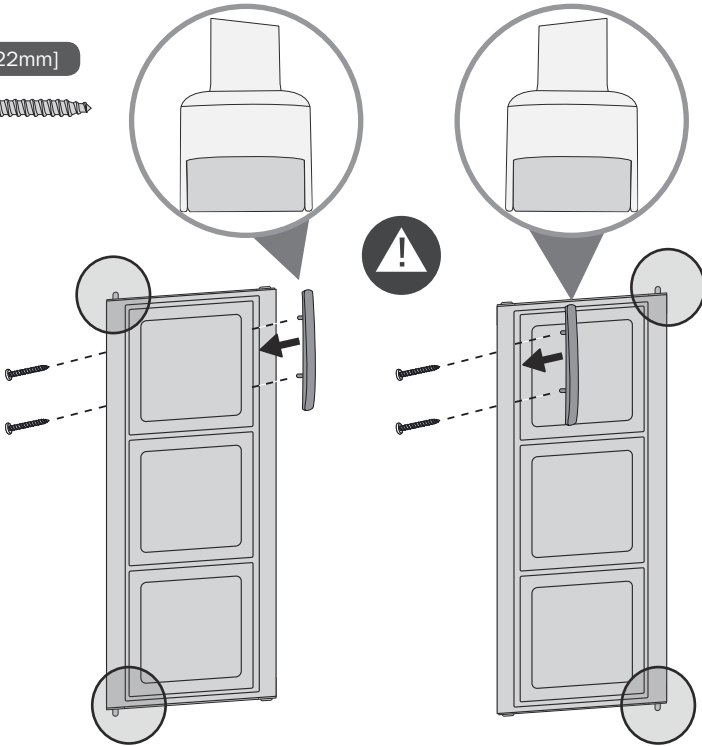
06



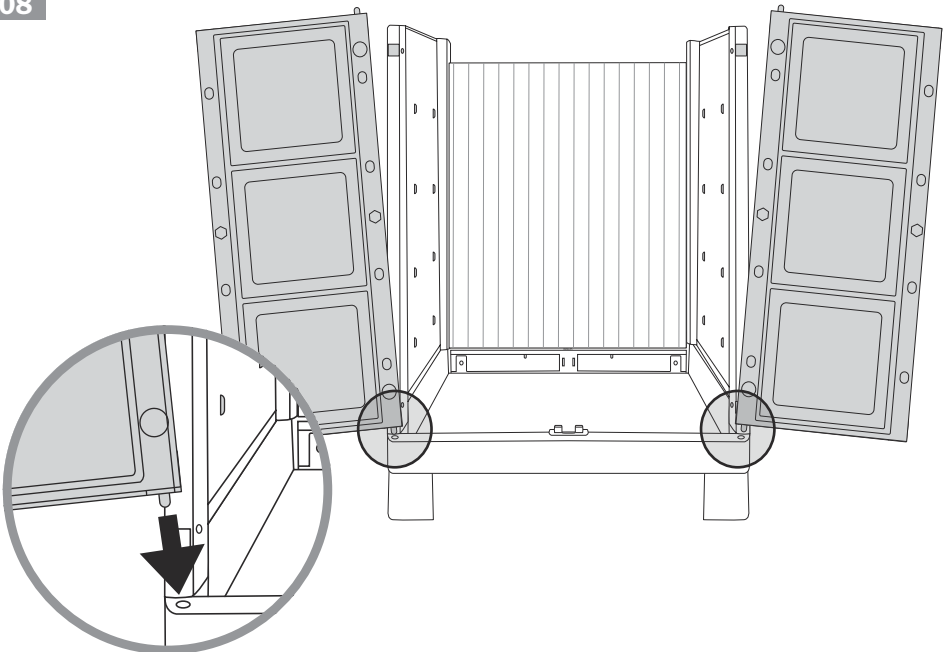
x2

07

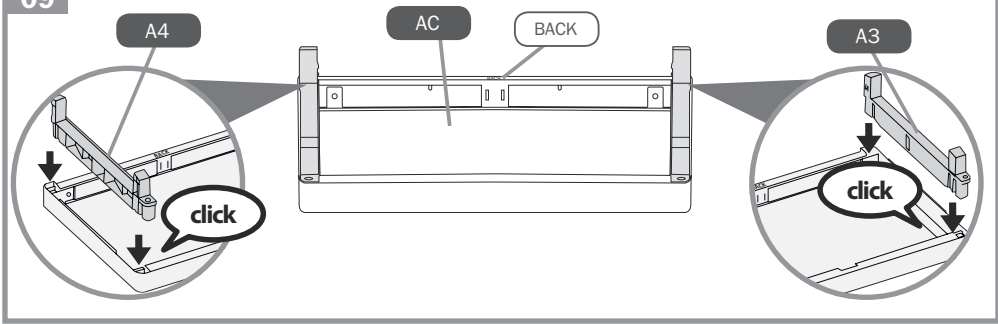
4x [4,2X22mm]



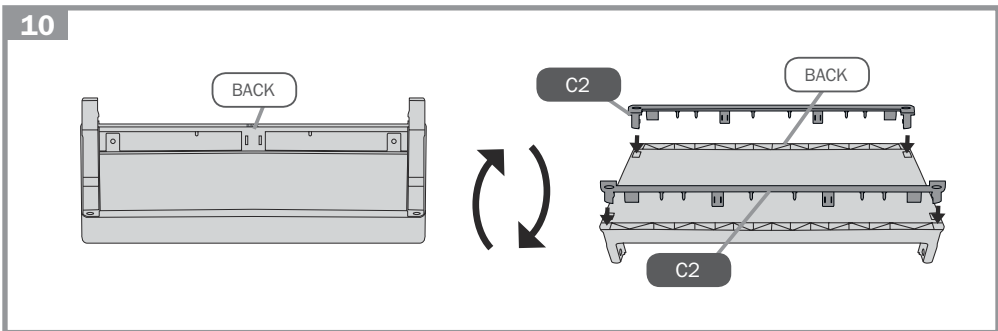
08



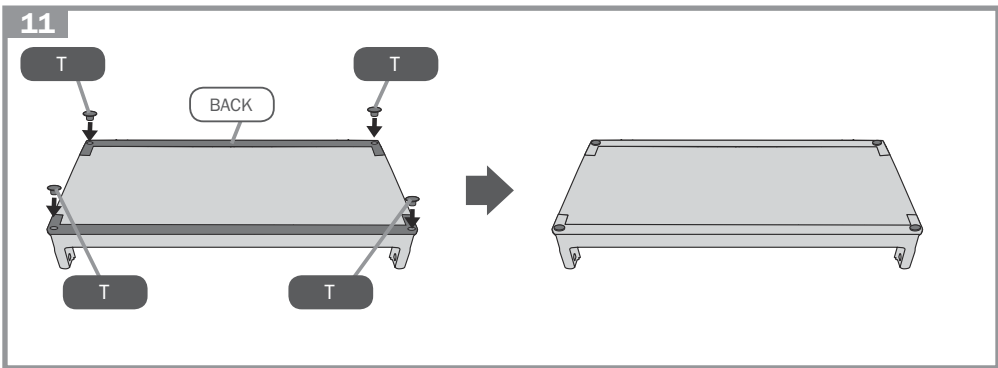
09



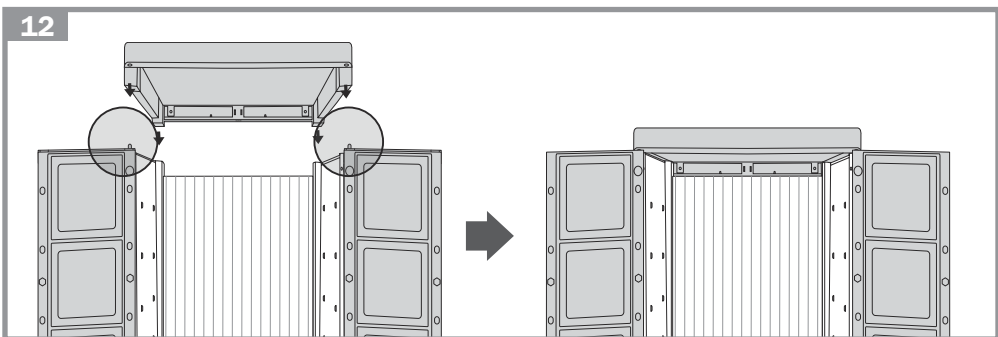
10



11

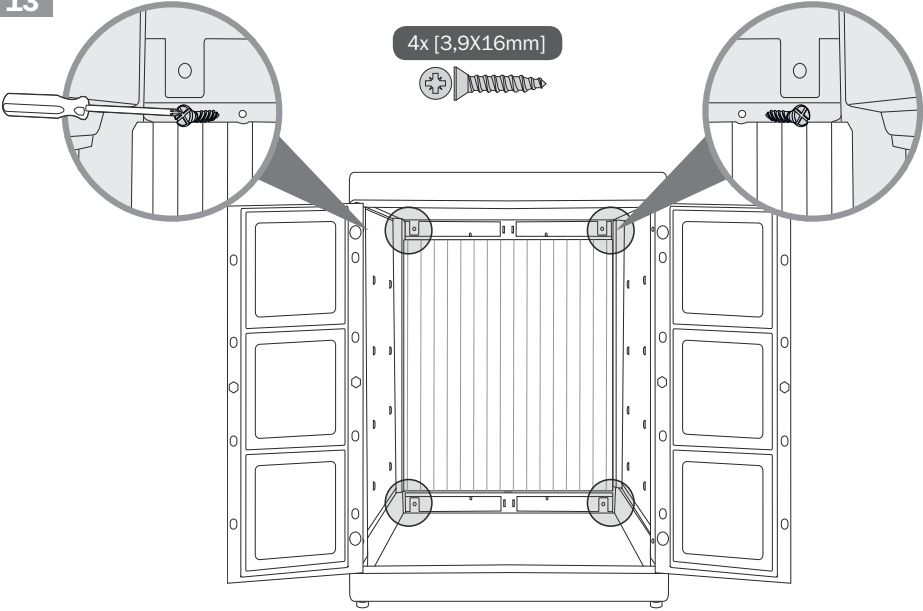


12



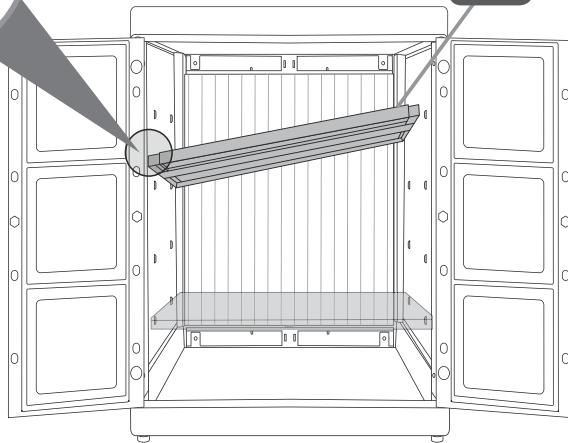
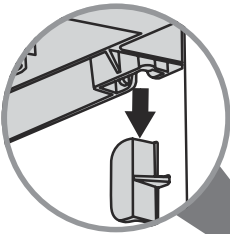
13

4x [3,9X16mm]



14

RA



x2

