

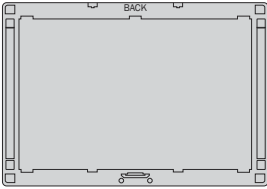

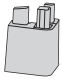
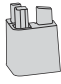




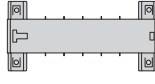

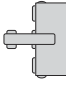
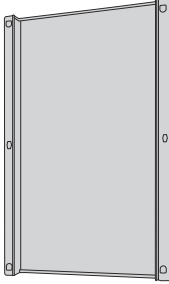




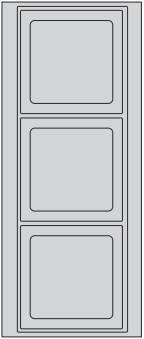






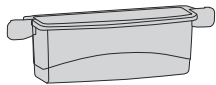
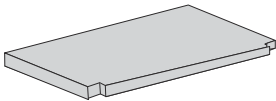
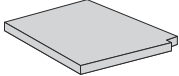


EXCELLENCE

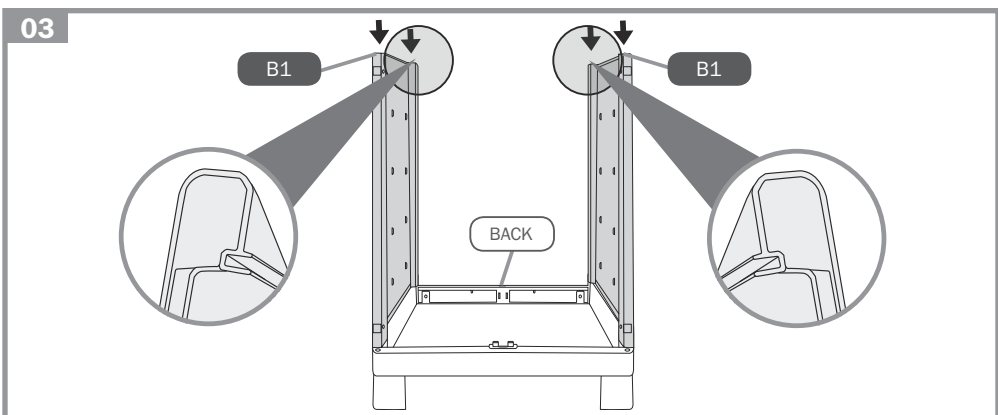
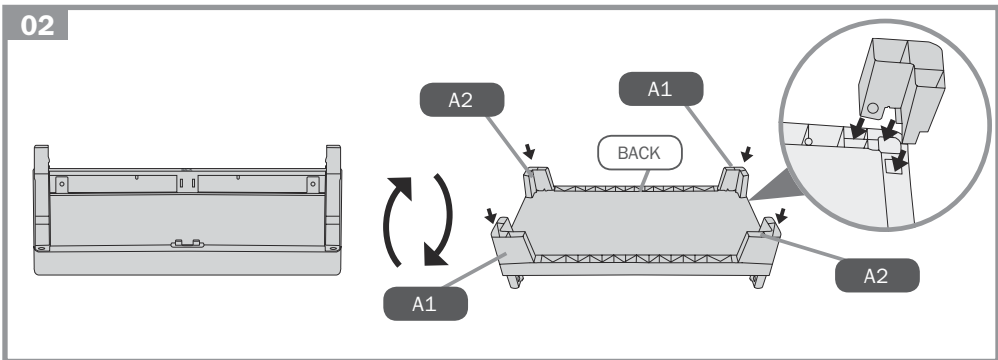
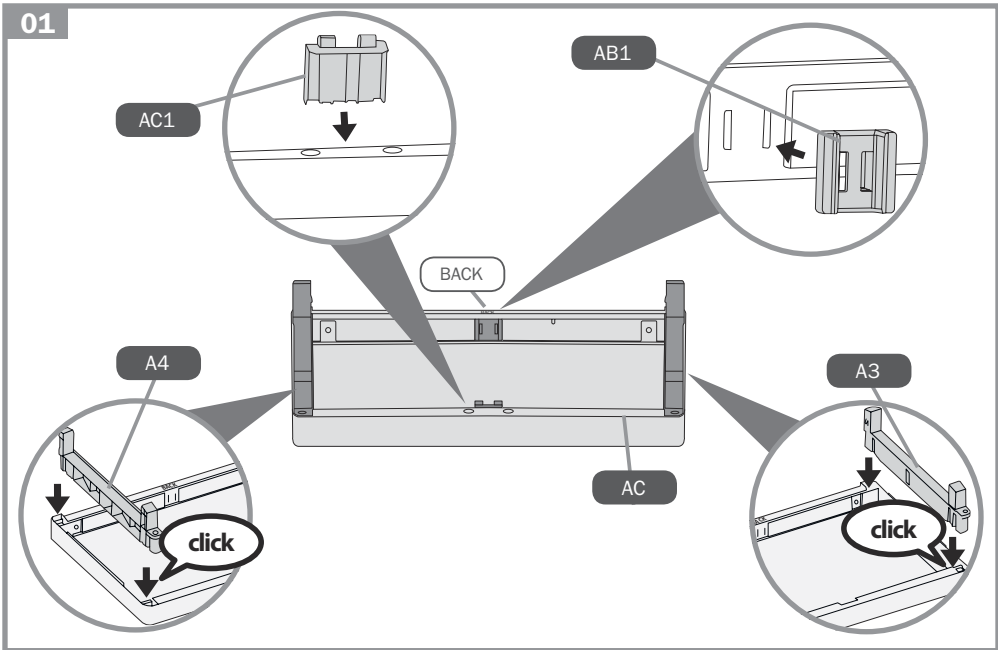
9710000

cm 65x45x182 h

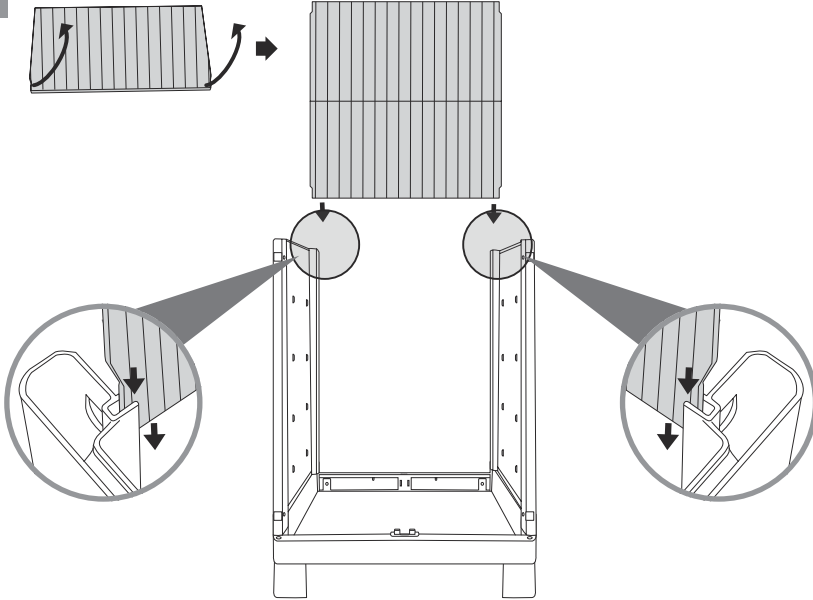


* Distribué uniformement - Uniformemente distribuido - Distribuiti uniformemente - Equally distributed

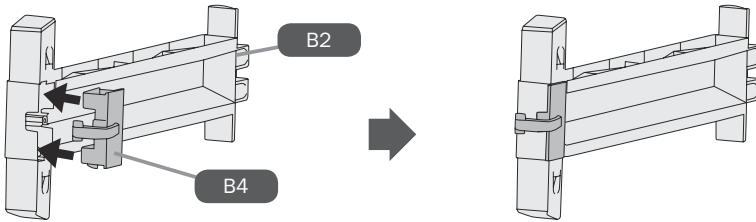
<p>2xAC</p> 	<p>4xT</p> 	<p>2xA1</p> 	<p>2xA2</p> 	
<p>2xC2</p> 	<p>2xA3</p> 		<p>2xA4</p> 	
	<p>2xB2</p> 	<p>2xGD</p> 	<p>1xB3</p> 	<p>2xB4</p> 
<p>4xB1</p> 	<p>2xPIP</p> 	<p>2xAB1</p> 	<p>2xAC1</p> 	<p>1xAP</p> 
<p>4xD</p> 	<p>2x</p> 	<p>2xTM</p> 	<p>2xBM</p> 	
	<p>2xCDS/CDSL</p> 	<p>8x [4,2X22mm]</p> 		
	<p>2xCDD/CDDL</p> 	<p>2xV</p> 		
<p>1xRA</p> 	<p>3xRP</p> 	<p>8x [3,9X16mm]</p> 	<p>2xTT</p> 	



04

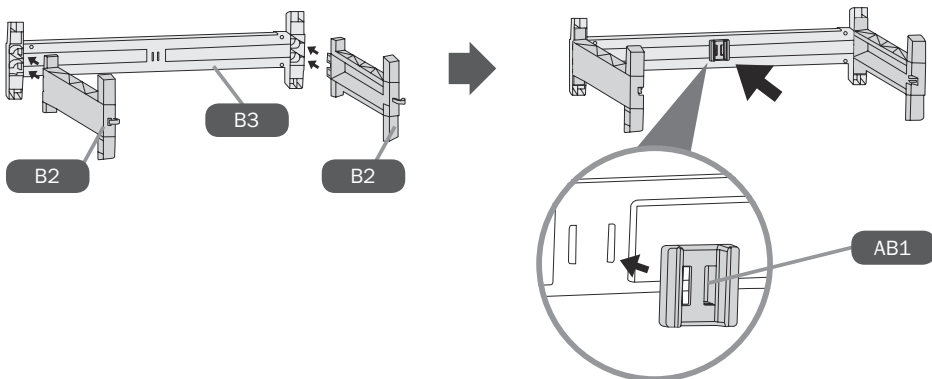


05

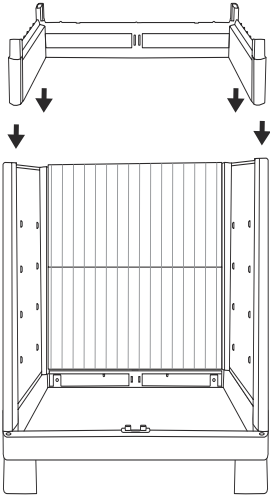


x2

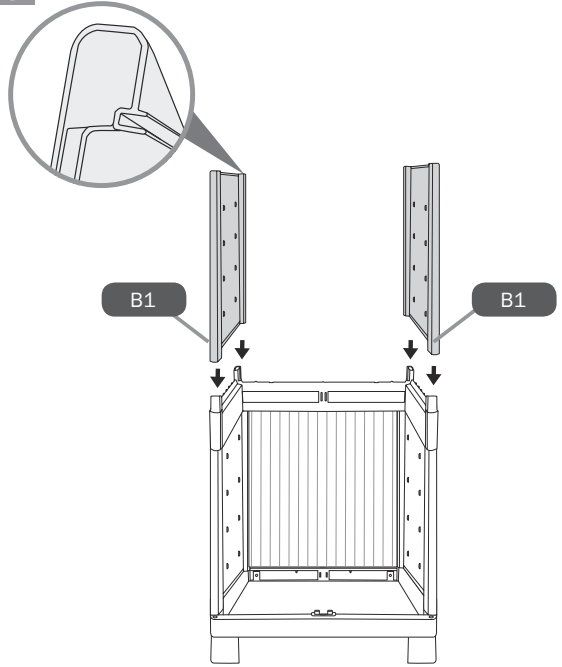
06



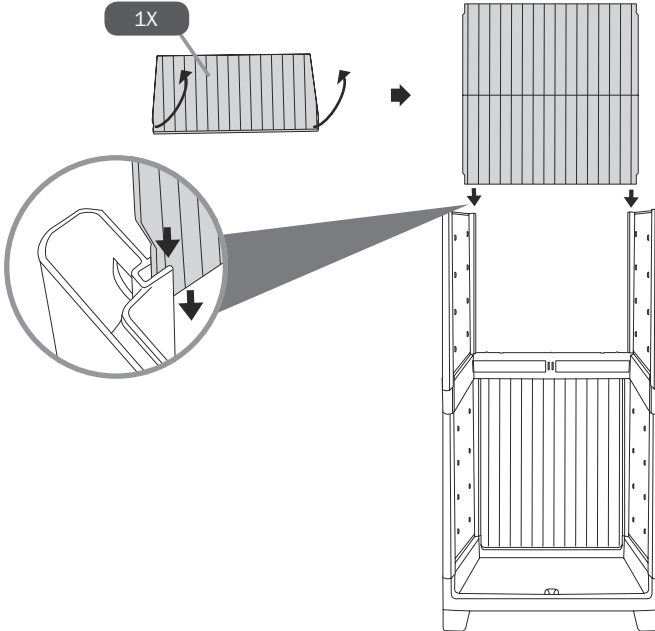
07

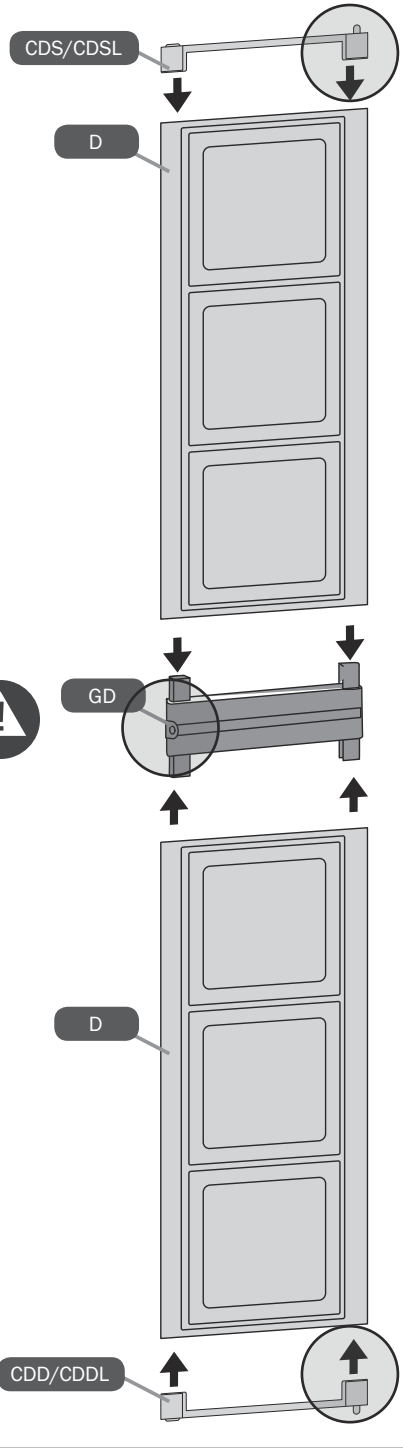
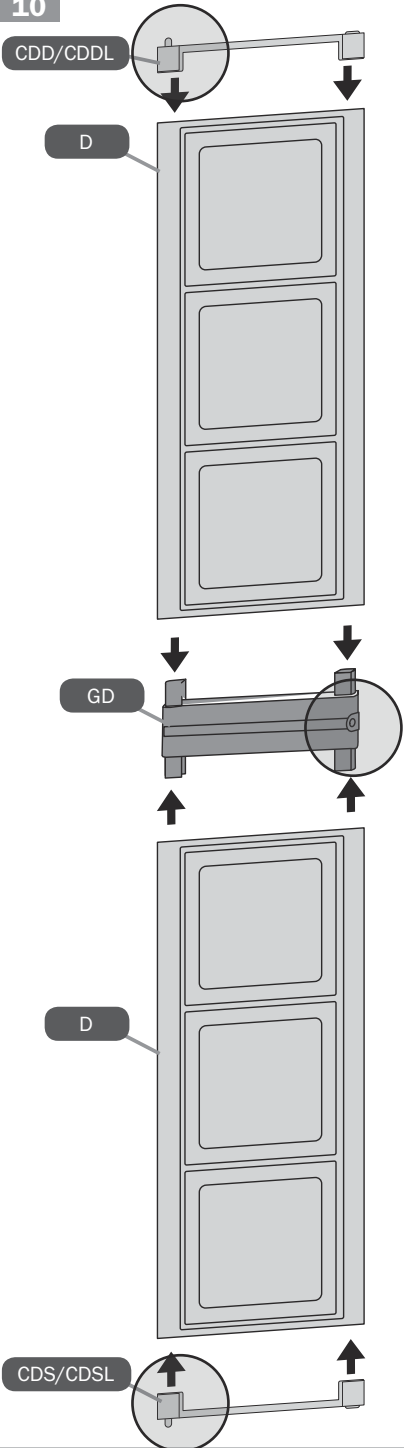


08

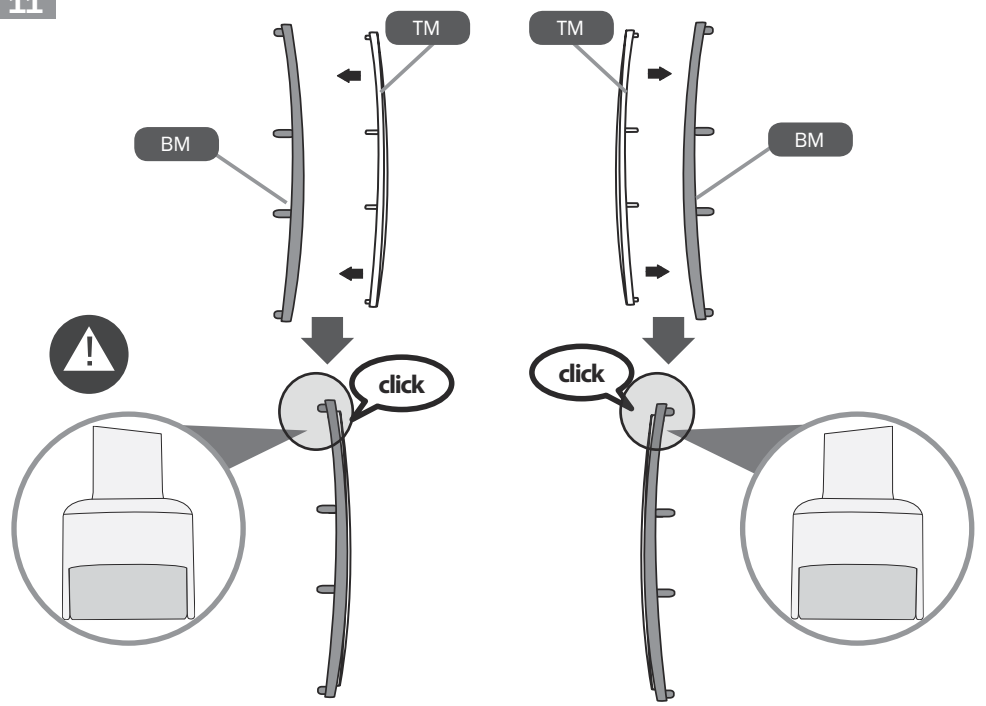


09

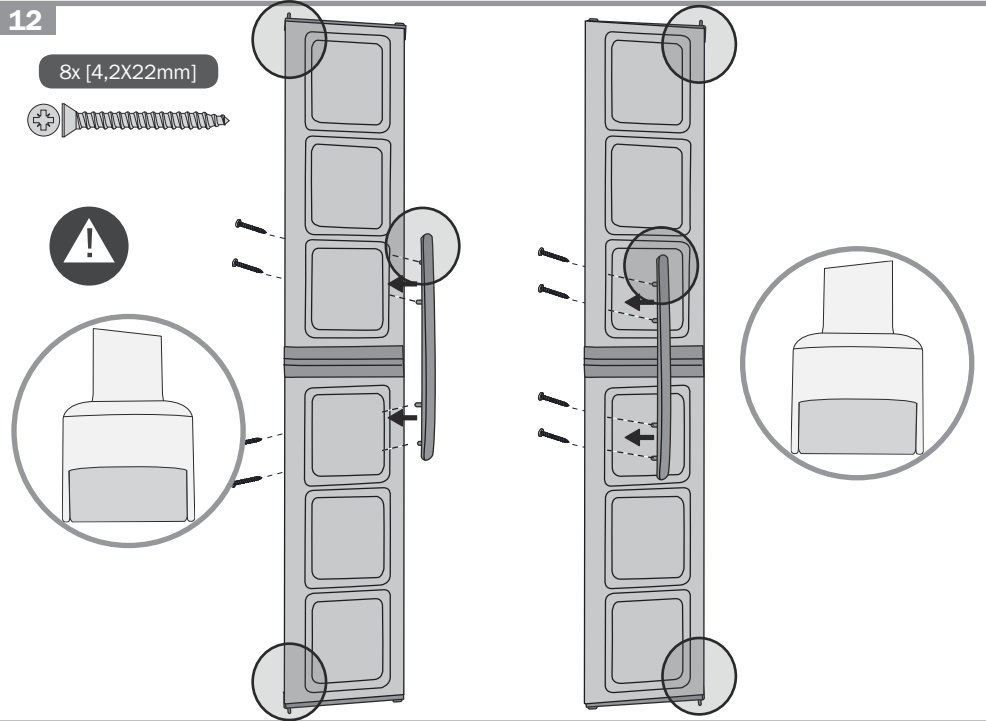




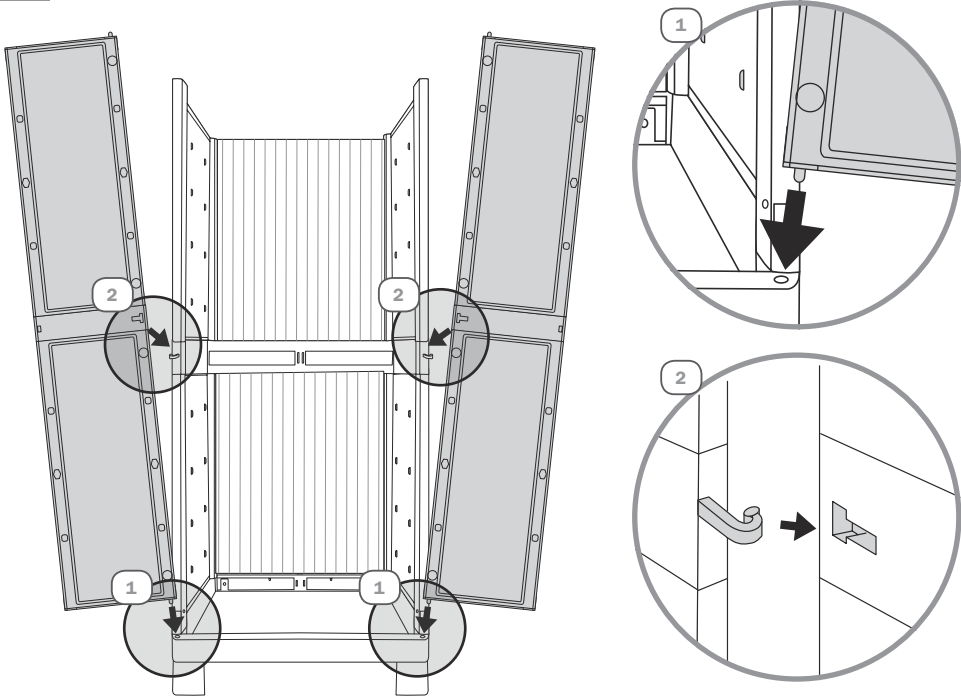
11



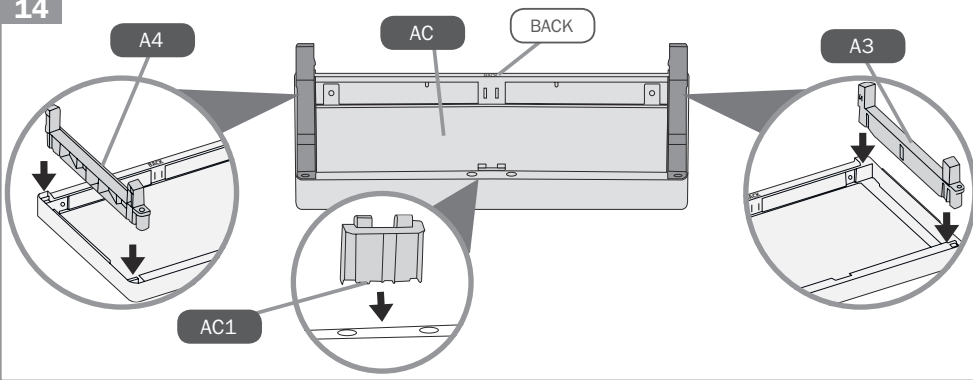
12



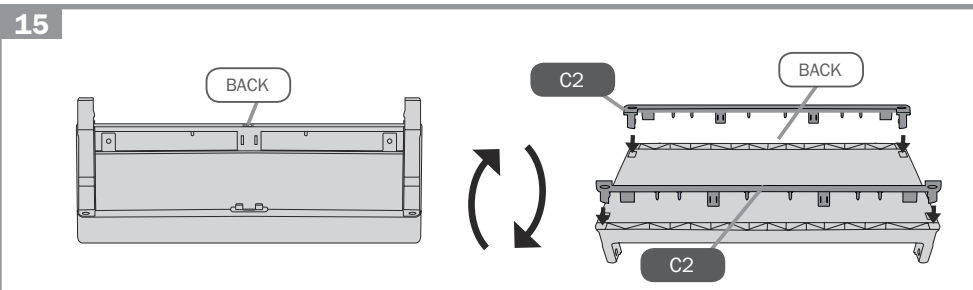
13



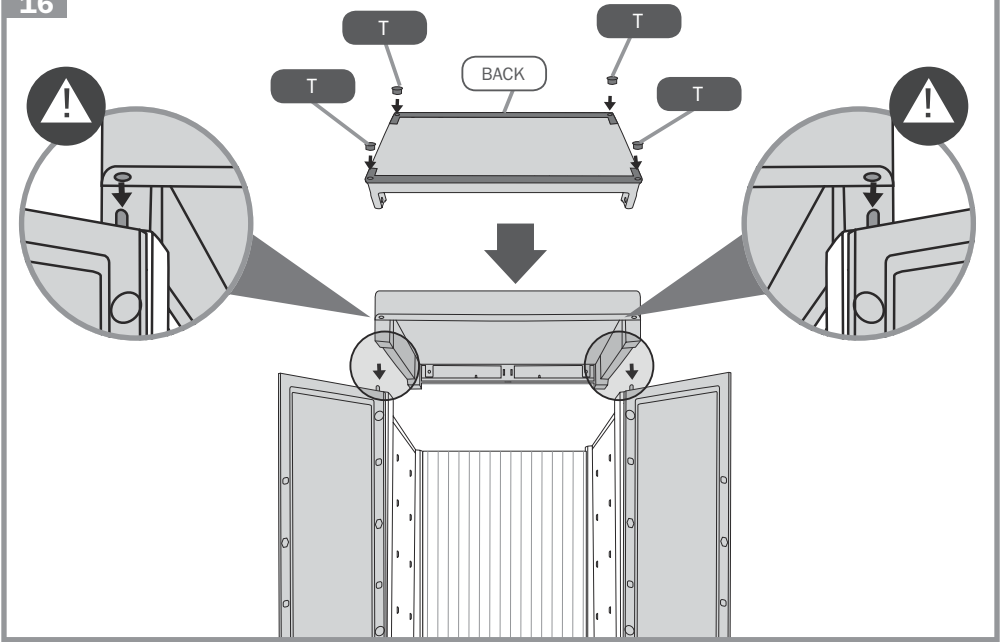
14



15

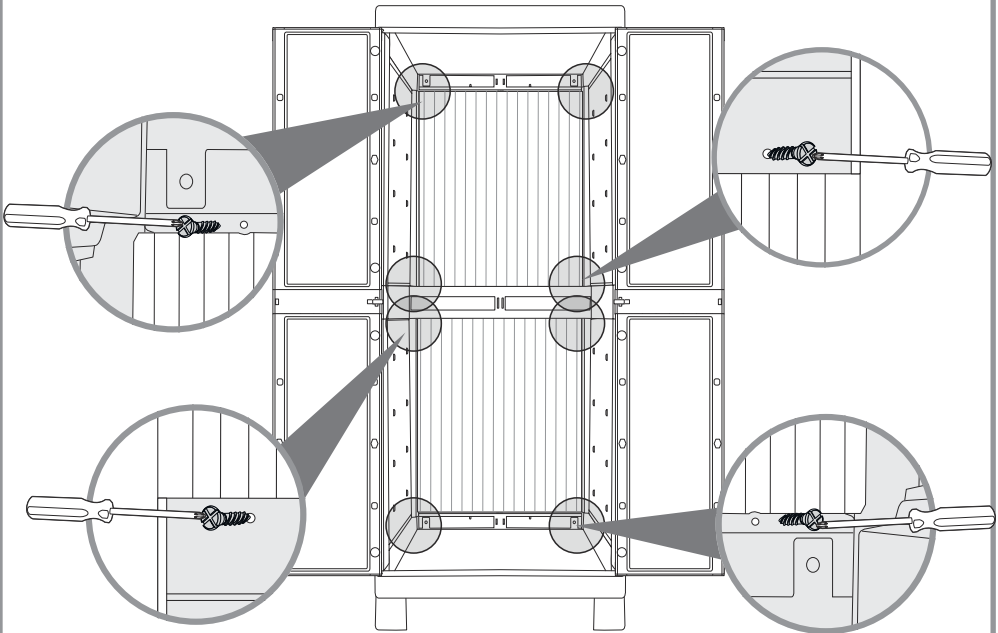


16

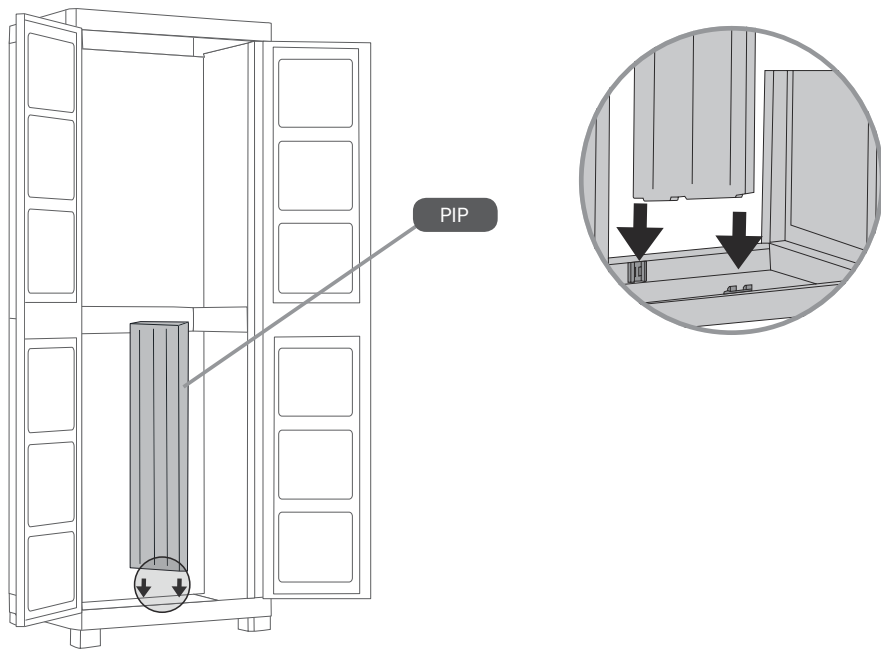


17

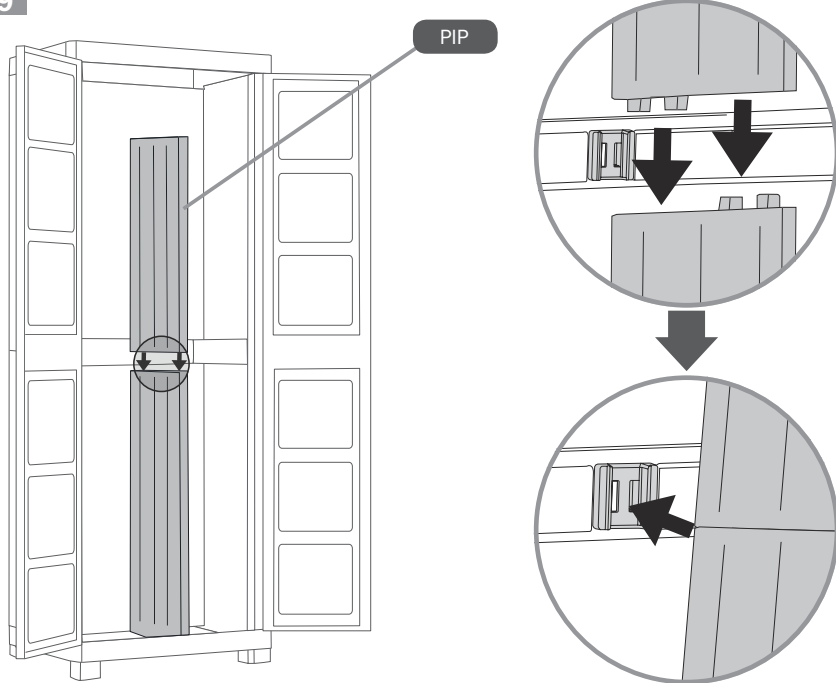
8x [3,9X16mm]



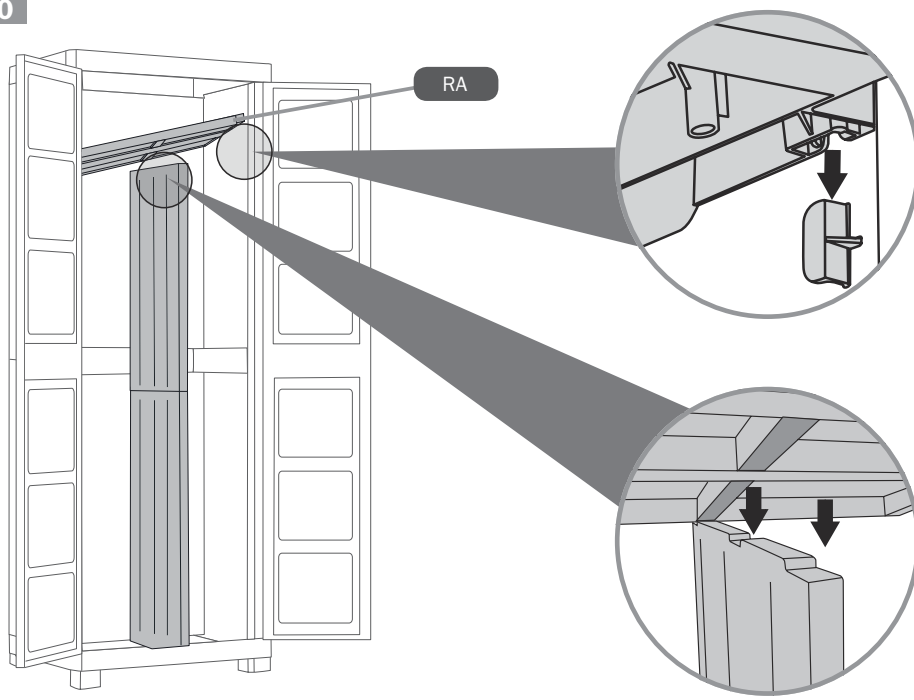
18



19



20



21

