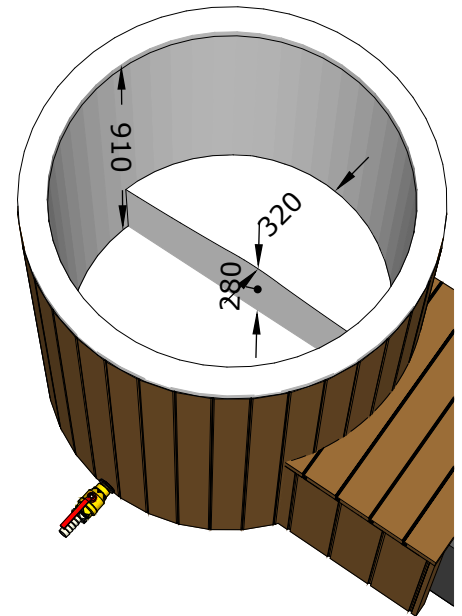
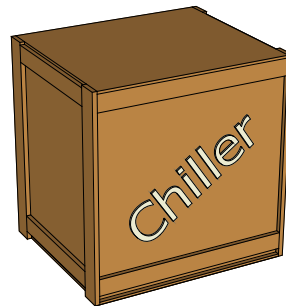
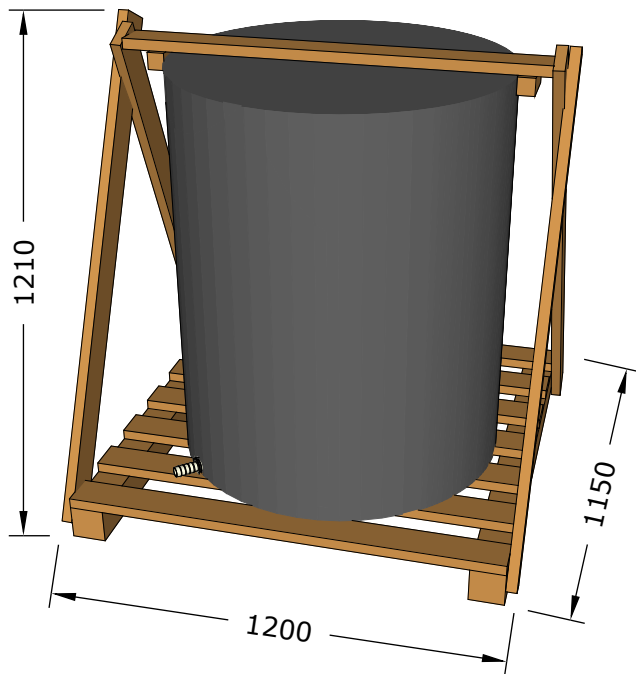
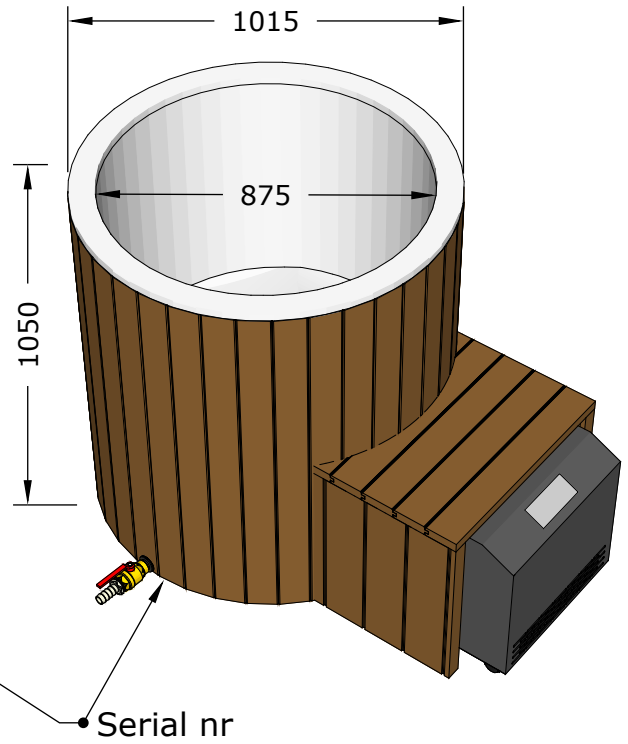
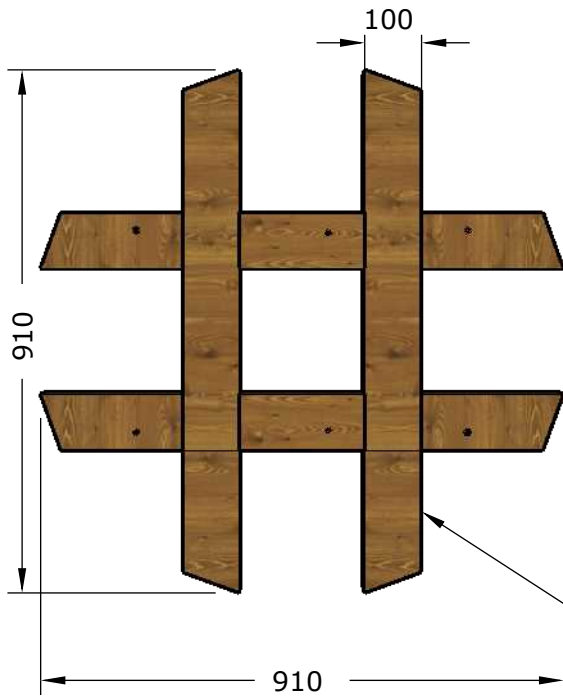


# Cold plunge 100 with chiller

Serial nr .....



(LxBxH) 120x115x121cm

**Gross weight 90 kg**  
**Net weight 65 kg**  
**+Chiller: Gross weight 63 kg**  
**Net weight 43 kg**  
**470 L**

