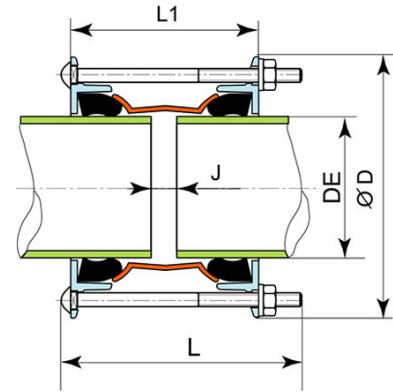
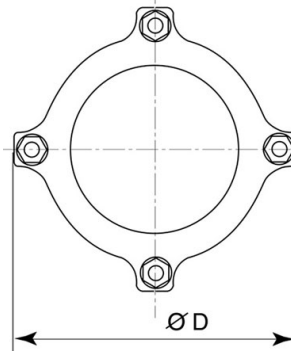


**ULTRALINK coupling ultra large tolerance**



**Version with carbon steel screws**

Description	Bolts	Ø DE mini	Ø DE Maxi	Mass	References
Type	Material	mm	mm	kg	kg
A	Carbon steel	49	71	3.6	MCX65RAAHA
B	Carbon steel	62	84	4.1	MCX75RAAHB
C	Carbon steel	80	102	4.9	MCX90RAAHC
D	Carbon steel	97	127	7.7	MCY11RAAHD
E	Carbon steel	123	153	8.9	MCY14RAAHE
F	Carbon steel	151	181	10.4	MCY16RAAHF
FP	Carbon steel	170	200	11.5	MCY19RAAHP
G	Carbon steel	196	226	13.9	MCY21RAAHG
H	Carbon steel	211	241	14.8	MCY22RAAHH
I	Carbon steel	235	265	16.2	MCY25RAAHY
J	Carbon steel	260	290	18.1	MCY27RAAHJ
JR	Carbon steel	285	315	21.3	MCY30RAAHR
K	Carbon steel	306	336	22.9	MCY32RAAHK
L	Carbon steel	318	348	23.7	MCY33RAAHL

**Version with stainless steel screws**

Please consult us.

Type	L	L1 Mini / Maxi	D	J Mini – Maxi
	mm	mm	mm	mm
A	182	104-152	176	4 – 20
B	182	104-152	190	4 – 20
C	182	107-155	208	5 – 20

Type	L	L1 Mini / Maxi	D	J Mini – Maxi
	mm	mm	mm	mm
D	232	127-188	240	7 – 25
E	232	135-197	267	8 – 25
F	232	144-207	295	9 – 29
FP	262	150-214	315	10 – 32
G	262	159-224	342	12 – 35
H	262	163-228	357	13 – 38
I	262	171-237	381	14 – 45
J	292	179-246	407	15 – 48
JR	292	187-255	434	16 – 55
K	292	194-263	455	18 – 58
L	292	198-267	467	18 - 62

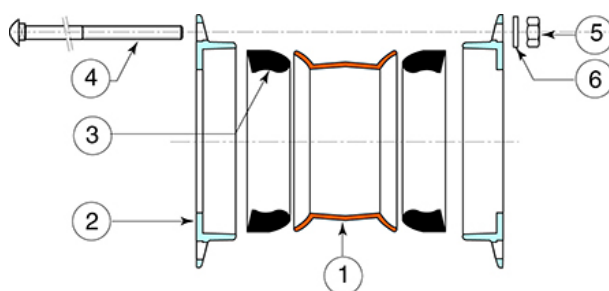
## Field of use

- The range ULTRALINK is designed for the drinking water networks, the fire networks, and the irrigation networks.
- The EPDM elastomer type WC in conformity with NF EN681-1 can be used in sewage networks and rain water networks

## Technical characteristics

- **The ultra large tolerance coupling** covers all the outside diameters of pipe (DE) from 49 to 348 mm, without discontinuity. For each model the maximum DE is higher than the minimum DE of the following model : **ex:** DE Maxi **A** = 71 DE Mini **B** = 62 Margin = 9 - DE Maxi **H** = 241 DE Mini **I** = 235 Margin = 6
- Possible angular deflection: 2 x 6 degrees between the two pipes (see drawing page 4).

## Material and coatings



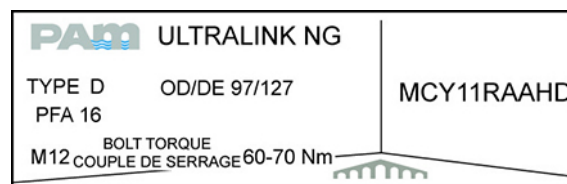
### Version with carbon steel screws

Item	Component	Material	Coating
1	Body	FGS	Blue epoxy powder 250 microns average thickness with a minimum of 200 microns, conforming to EN 14901 (PECB)
2	Gland ring	FGS	Blue epoxy powder 250 microns average thickness with a minimum of 200 microns, conforming to EN 14901 (PECB)

Item	Component	Material	Coating
3	Sealing ring	EPDM (*)	
4	Bolt	Grade 6.8 steel	Dacromet
5	Nut	Grade 6 steel	Dacromet
6	Washer	Mild steel	Dacromet

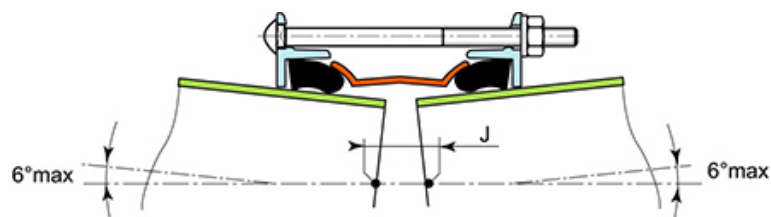
(\*) EPDM elastomer type WA, WC in conformity with NF EN681-1 for drinking water networks, fire networks, irrigation networks, sewage networks and rain water networks

## Marking



## Installation

- **The ultra large tolerance coupling** covers all the outside diameters of pipe (DE) from 49 to 348 mm, without discontinuity. For each model the maximum DE is higher than the minimum DE of the following model : **ex**: DE Maxi **A** = 71 DE Mini **B** = 62 Margin = 9 - DE Maxi **H** = 241 DE Mini **I** = 235 Margin = 6
- Two pipes of different materials or different diameters can be connected
- Possible angular deflection of 2 x 6 degrees = 12 degrees between the two pipes.
- J measured on the axis
- Maximum angular deflection of 6° with J maxi for a section at 90° of the pipe
- Screwing of the bolts diametrically opposite to a torque included between 60 and 70 Nm



**Using range depending on type of pipe**

Type	ULTRA		Old grey iron						Ductile iron	Steel	PVC	Asbestos cement		
			Pipes (lead joint)		Express Pipes		Pipes Rapid							
	DE mini	DE maxi	DN	DE	DN	DE	DN	DE	DN	DE	DE	DE	DN/Class	DE
A	49	71	40	56	40	57			40	56	51 - 54 - 57	50	40CI25	60
			50	66	50	67			50	66	60,3 - 63,5 - 70	63	50 CI10	66
B	62	84	50	66	50	67	60	81,4	50	66	63,5 - 7 - 76,1	63	50 CI10, CI25	66 - 74
			60	77	60	77			60	77	82,5	75	60 CI10-15, CI25	76 - 80
C	80	102	80	98	80	98			80	98	88,9 - 101,6	90	60 CI30	84
													80 CI10-15, CI25	96 - 100
D	97	127	100	118	100	118	80	102,2	100	118	101,6 - 108	110	80 CI25, CI30	100 - 104
							100	123			114,3 - 127	125	100 CI10-15, CI20-25	118 - 124
E	123	153	125	144	125	144	125	149	125	144	133 - 139,7	125	100 CI30	130
											141,3 - 152,4	140	125 CI10-15, CI20-25	145 - 149
F	151	181	150	170	150	170	150	175	150	170	159 - 168,3	160	125 CI30	161
											177,8		150 CI10, CI15, CI20	170 - 174 - 178
FP	170	200	175	196	175	196					177,8 - 193,7	200	150 CI15, CI20	174 - 178
											150 CI25, CI30		184 - 192	
G	196	226	200	222	200	222	175	201	200	222	219,1	200	175 CI15, CI20-25, CI30	199 - 207 - 225
											225	200 CI10	220	
H	211	241	200	222	200	222	200	227	200	222	219,1	225	175 CI30	225
											200 CI10, CI15, CI20-25		220 - 228 - 238	
I	235	265									244,5	250	200 CI20-25, CI30	238 - 246
J	260	290	250	274	250	274	250	279	250	274	273		250 CI15	280
JR	285	315										315	250 CI20-25, CI30	292 - 306

**FITTINGS AND  
SERVICING PARTS  
VALVES**



12/14/2021

**RPMMN21UQK750**

Type	ULTRA		Old grey iron						Ductile iron	Steel	PVC	Asbestos cement		
			Pipes (lead joint)		Express Pipes		Pipes Rapid							
	DE mini	DE maxi	DN	DE	DN	DE	DN	DE	DN	DE	DE	DE	DN/Class	DE
K	306	336	300	326	300	326	300	331	300	326	323,9	315	300 CI10, CI15	324 - 334
L	318	348	300	326	300	326	300	331	300	326	323,9		300 CI10, CI15	324 - 334