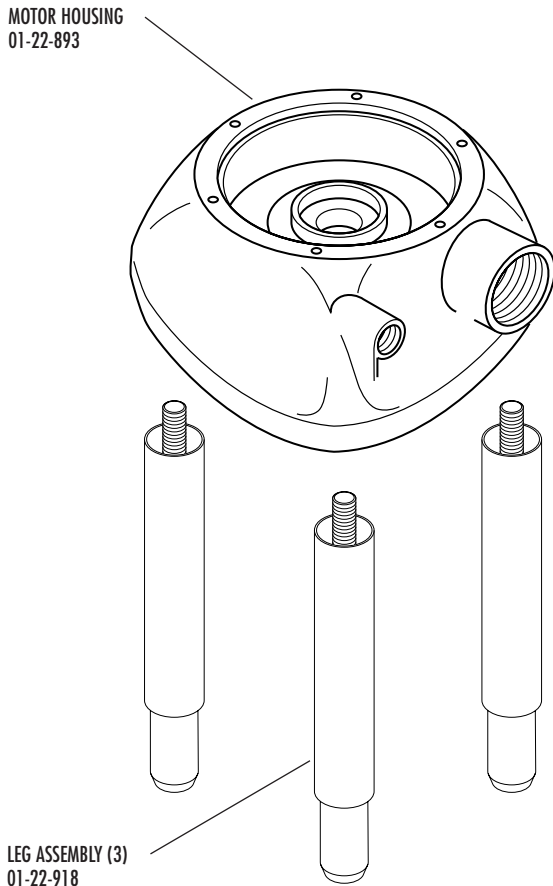
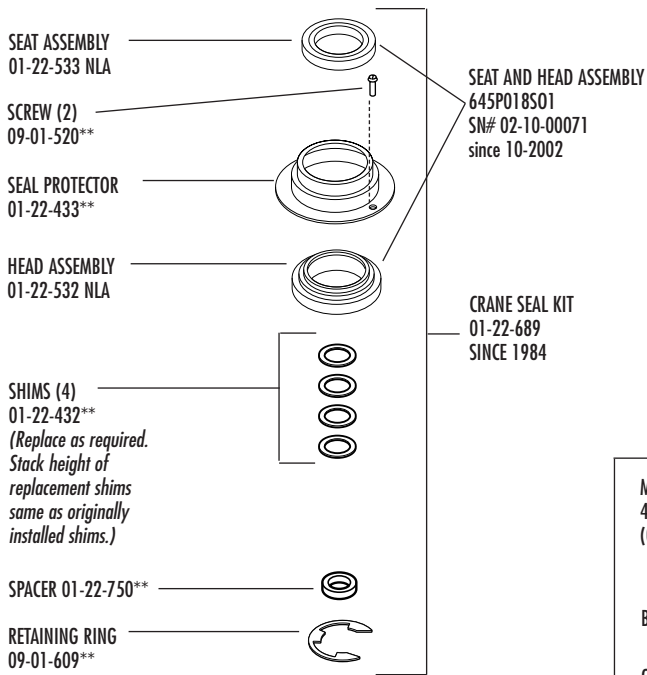
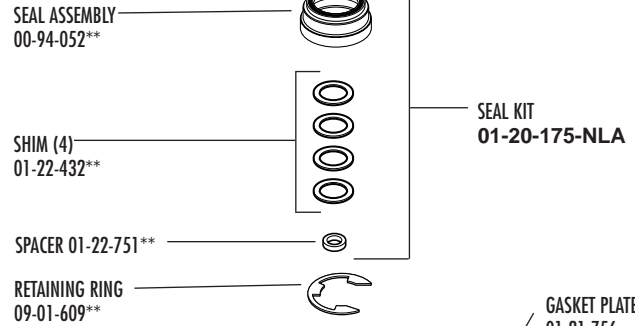


Due to continued product improvement, product configurations, parts and specifications may change without notice. Please call before ordering.

* LIMITED QTY. AVAILABLE ** ALSO AVAILABLE SEPARATELY (NLA) NO LONGER AVAILABLE



PRIOR TO SERIAL # 840600001

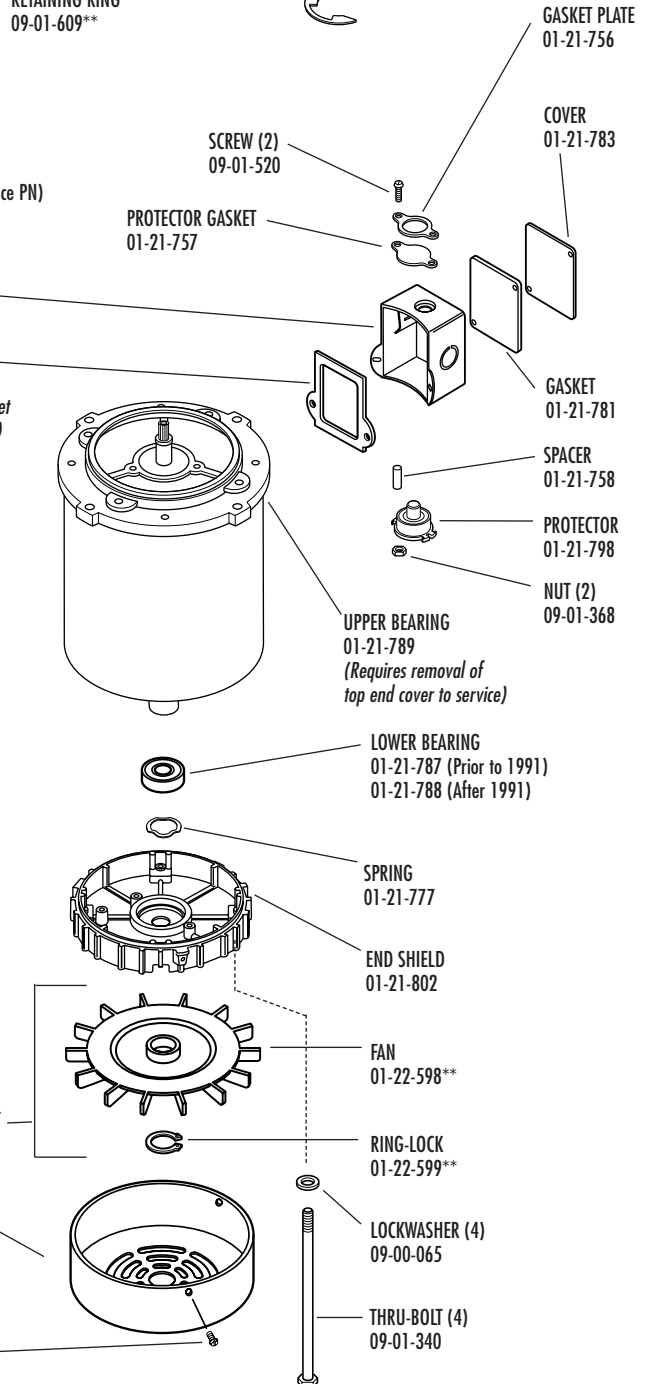


MOTOR ASSEMBLY 463P011S36 (Service PN) (01-22-466)

BOX 01-21-785

GASKET 01-21-779
(Replacement gasket may look different)

SCREW (3) 09-01-260



Due to continued product improvement, product configurations, parts and specifications may change without notice. Please call before ordering.

* LIMITED QTY. AVAILABLE ** ALSO AVAILABLE SEPARATELY (NLA) NO LONGER AVAILABLE