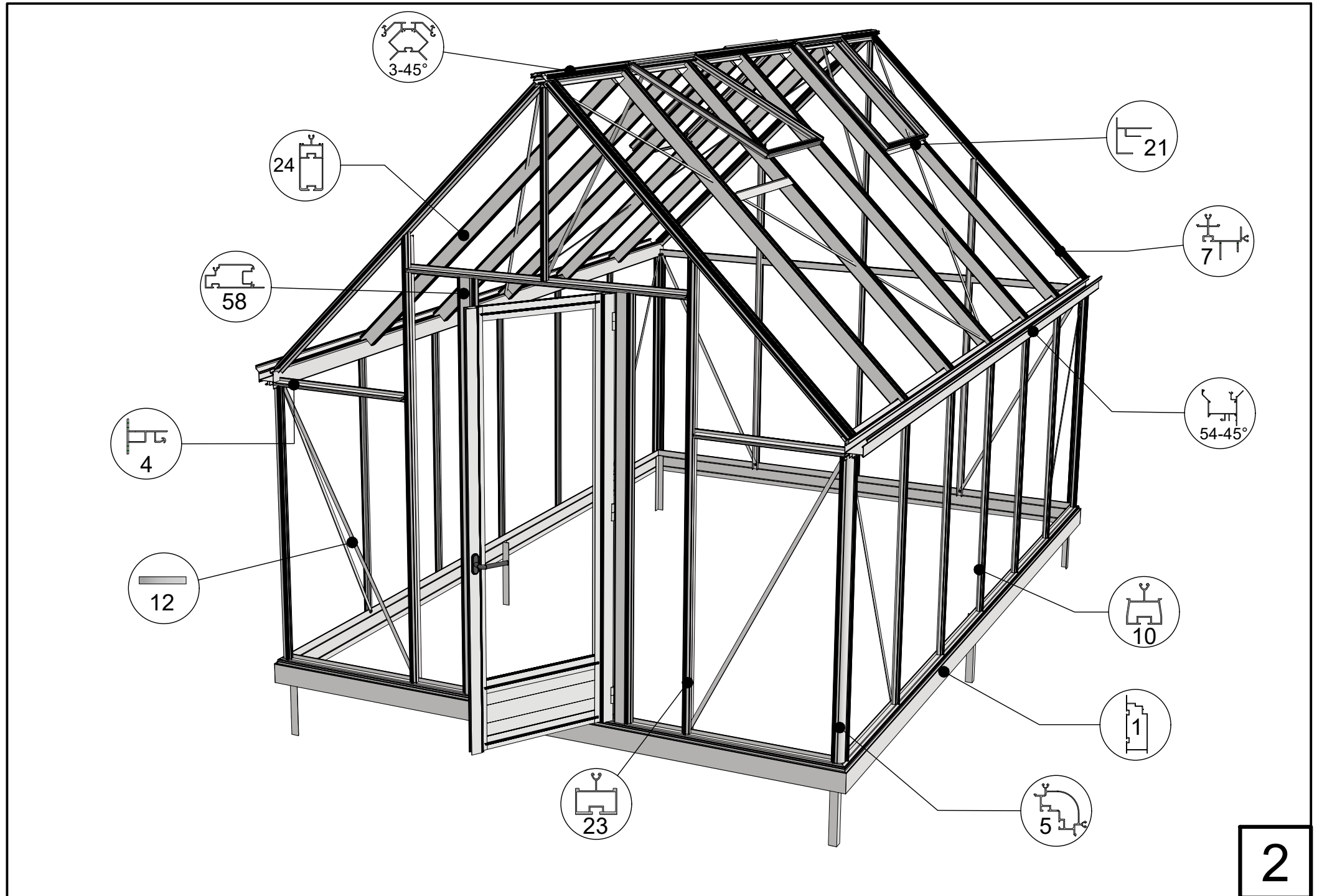


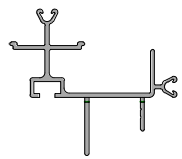
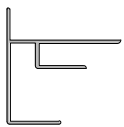

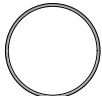
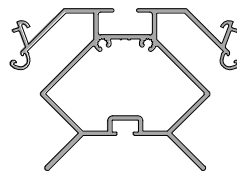


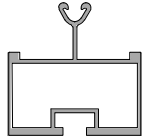
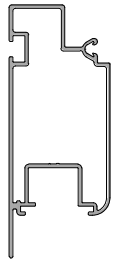
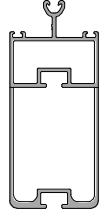
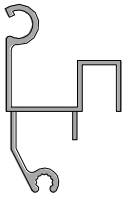
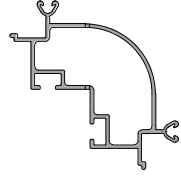
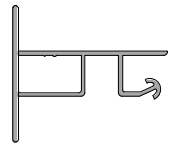
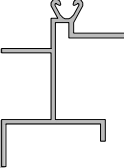
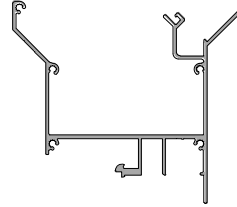
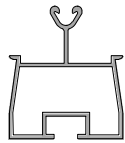
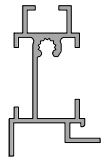
Euro-Rustiq 3,09.



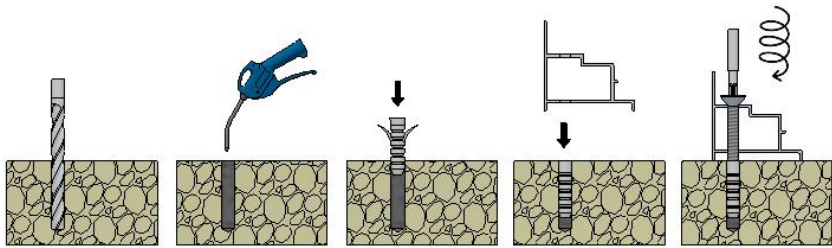
15-11-2023




Profile list

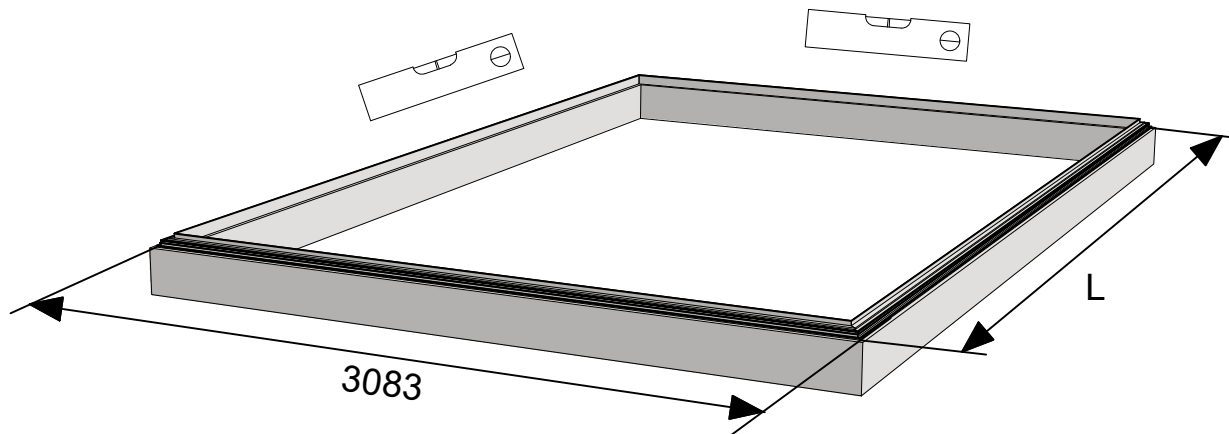
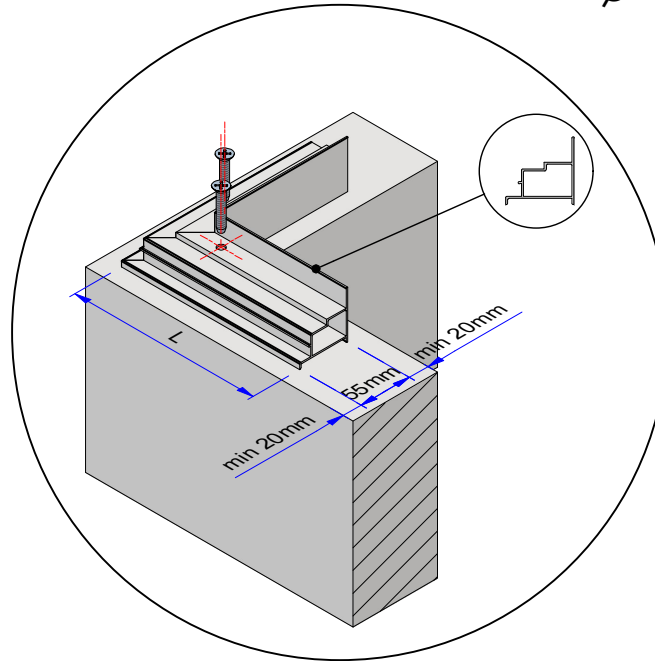
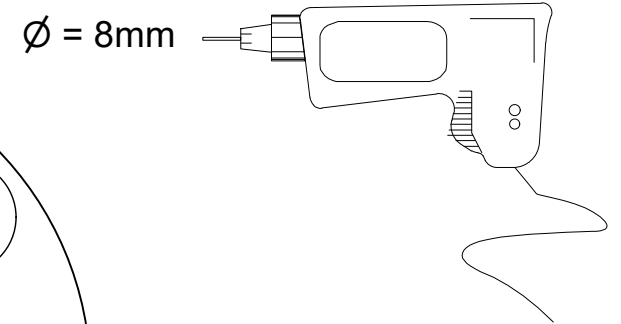
Profile list											
-	NR	Profile NR	-	NR	Profile NR	-	NR	Profile NR	-	NR	Profile NR
	7	7151		21	2977		1	17538		40	B 50
	3-45°	15732		27	B 18		12	7070		23	17703
	58	12960		24	10968 U		18	17542			
	5	17548		4	17549		19	17543			
	54-45°	17540		10	17541		20T	28513			

- Attention! Check inside the foundation for more profiles.
- Please fasten screws and nuts hand-tight.
- Achtung! Prüfen sie das fundament für weitere profile.
- Schraube und Mutter bitte handfest festziehen.
- Opgelet! kijk in de fundering voor andere profielen.
- Bout en moer a.u.b. handvast aandraaien.
- Attention! Regarde à l'intérieur du fondation pour plussier profils.
- Serrez les écrous et vis à la main s.v.p.
- Observera at en del profiler ligger i sockelprofilen!!
- Dra åt skruven och muttern handfast.




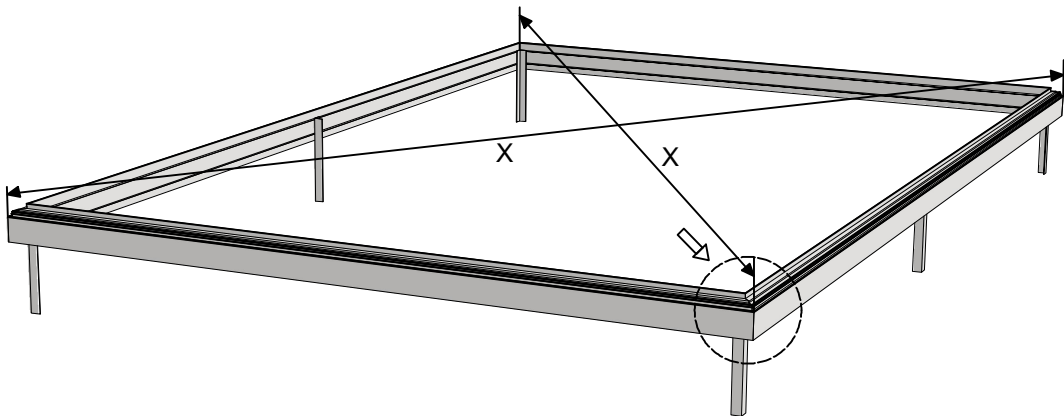
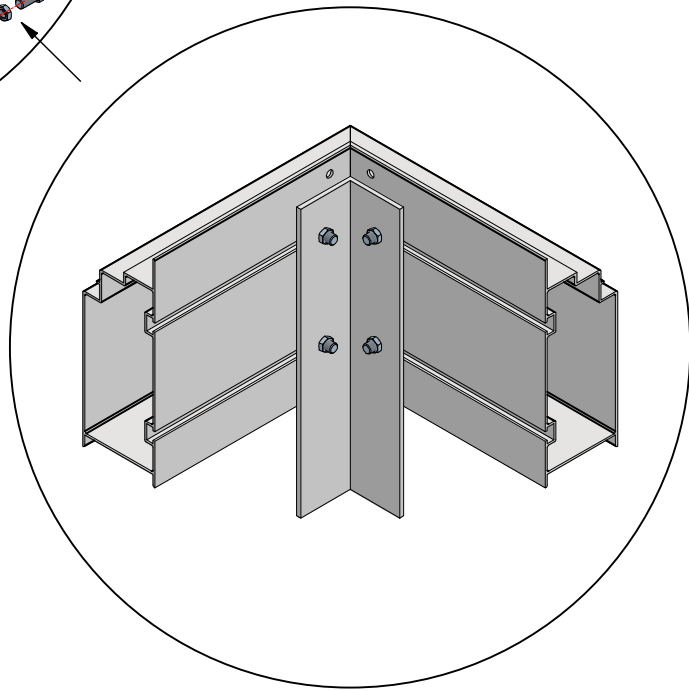
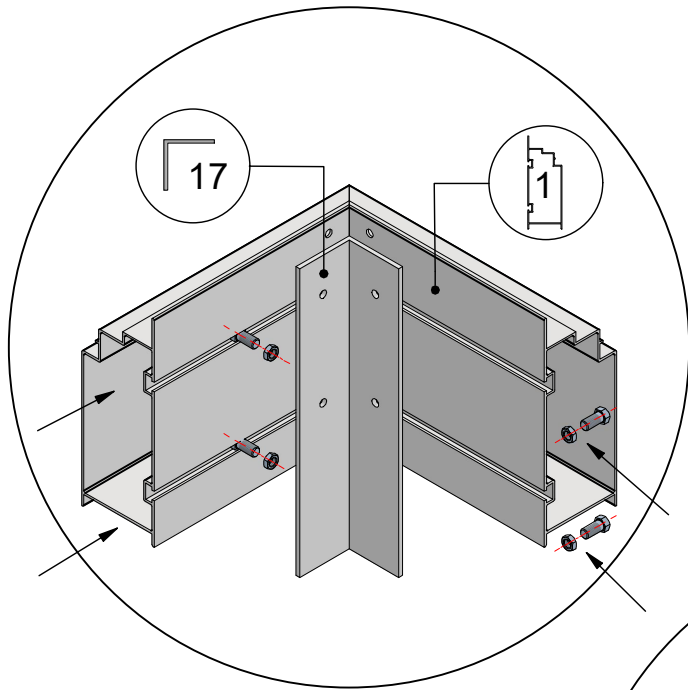
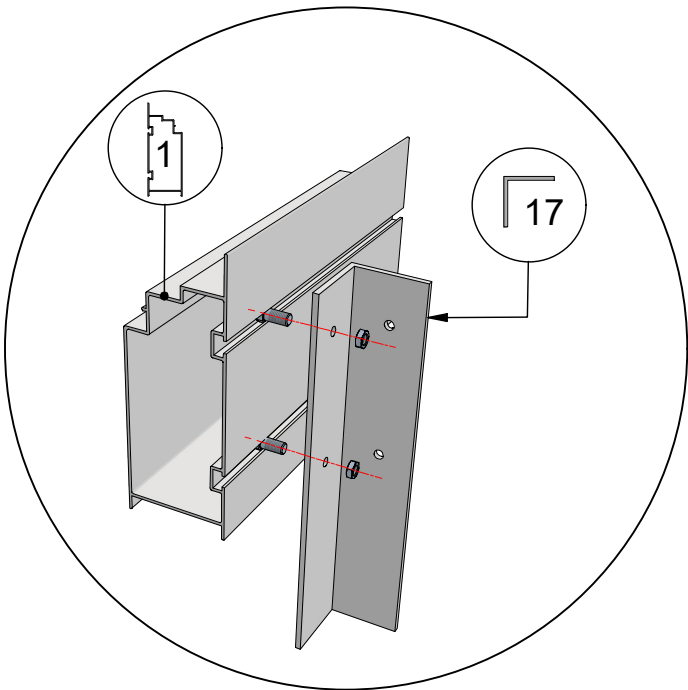
 = 8x40

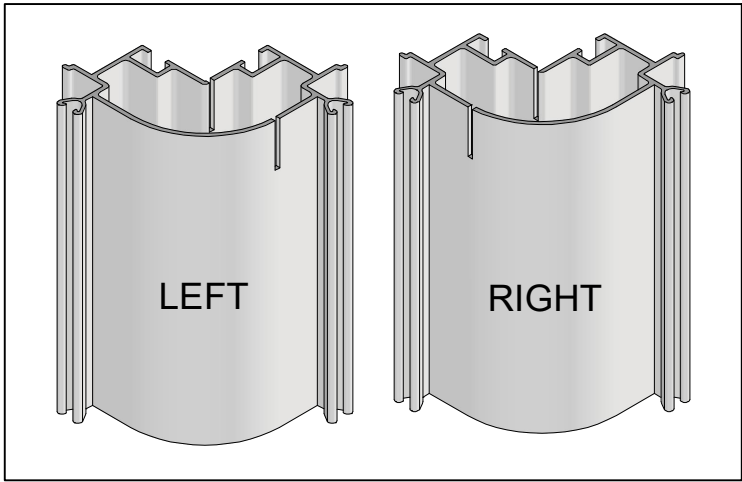
  = 6x120



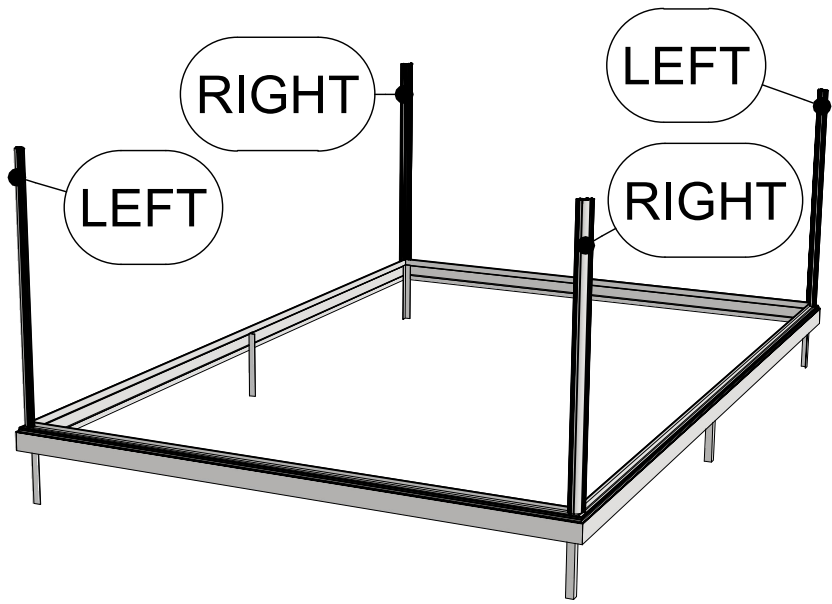
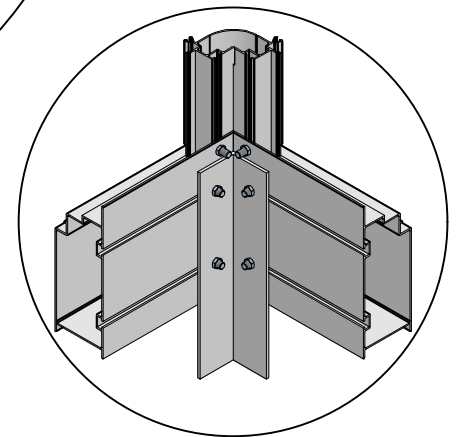
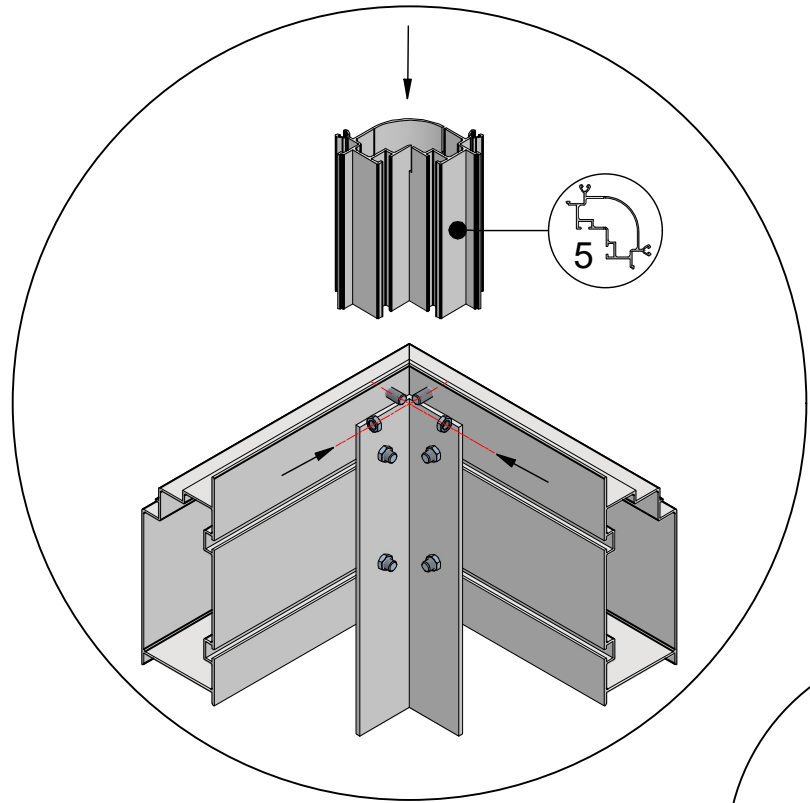
5


 = M6x12

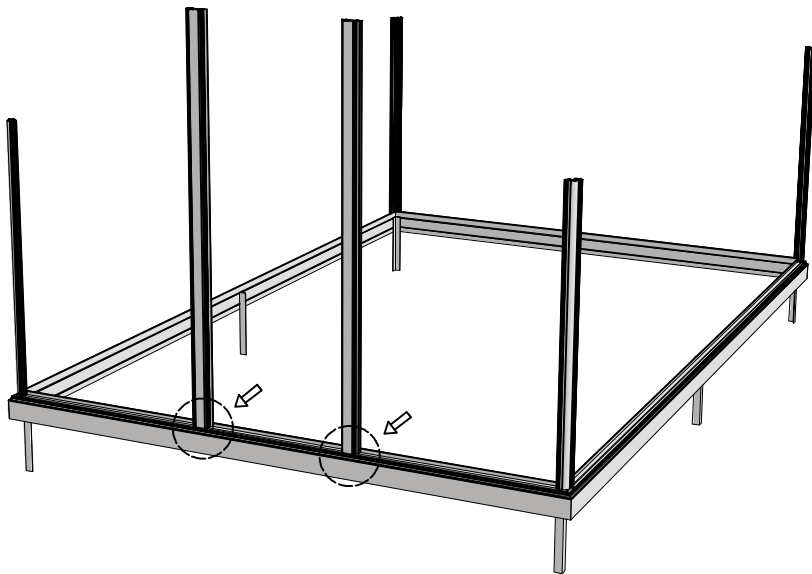
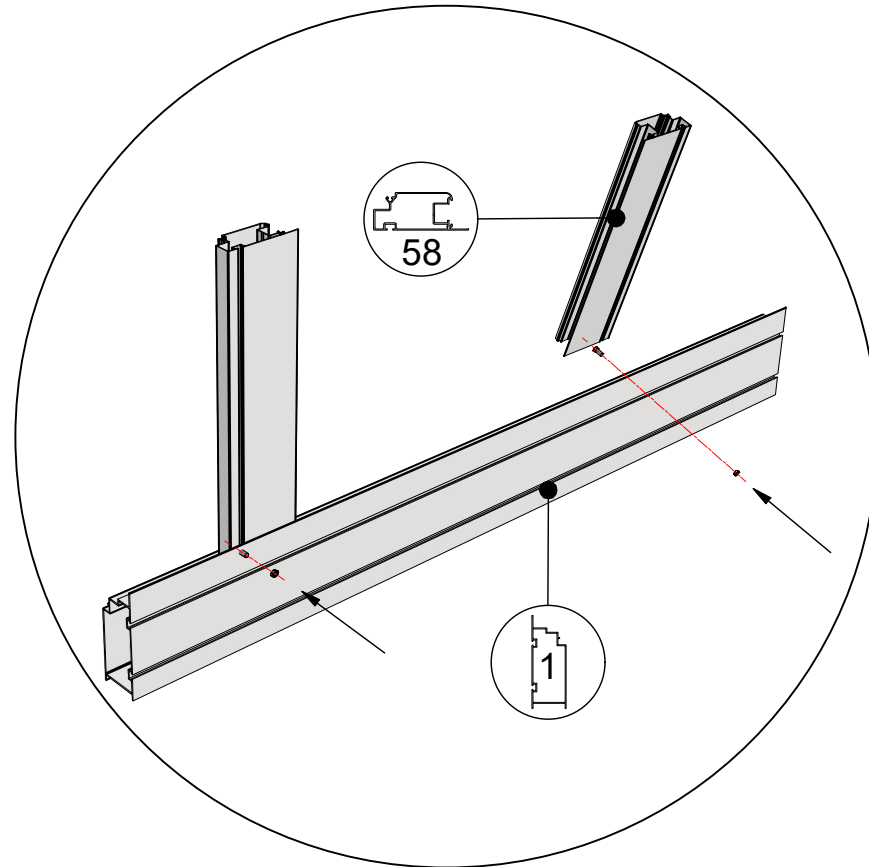
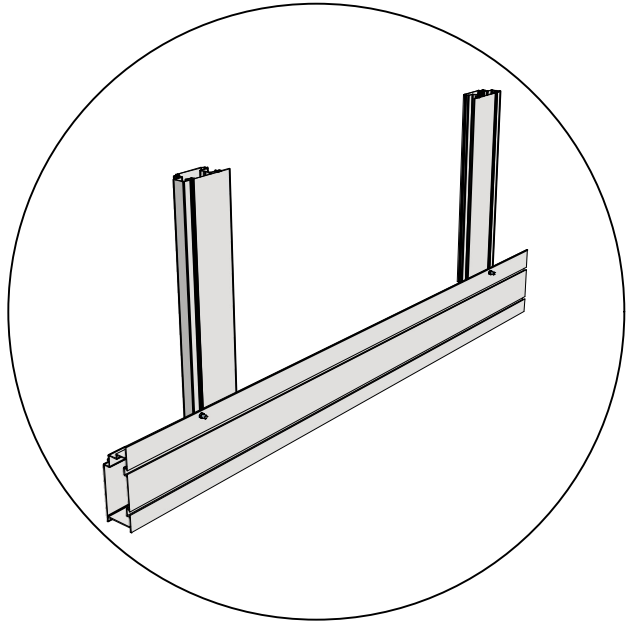





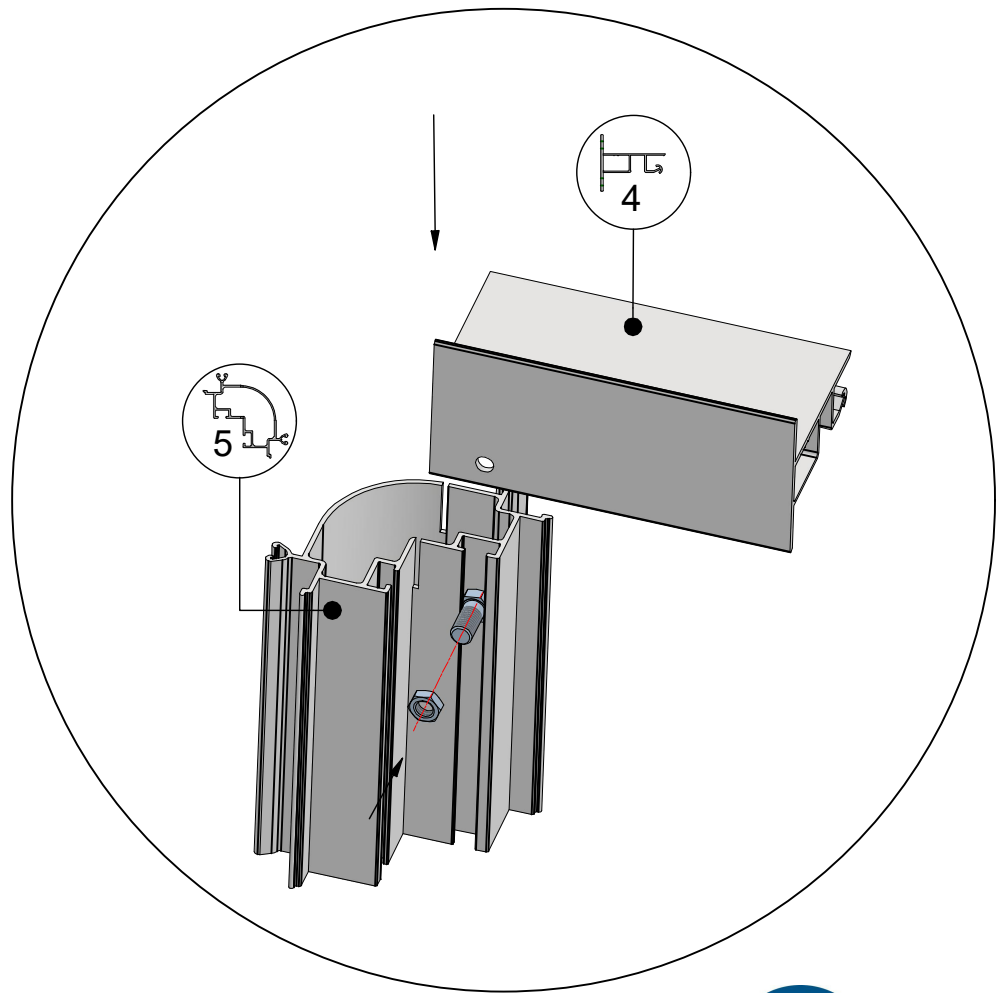
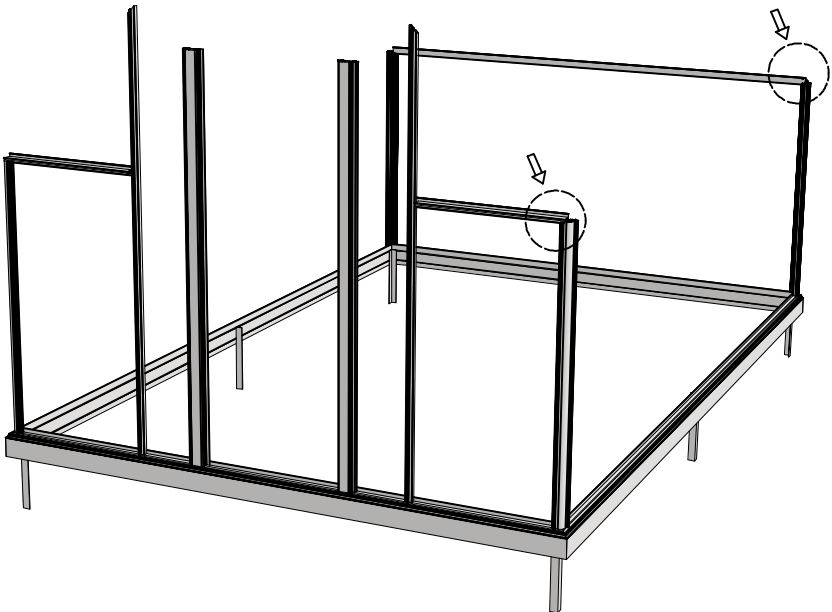
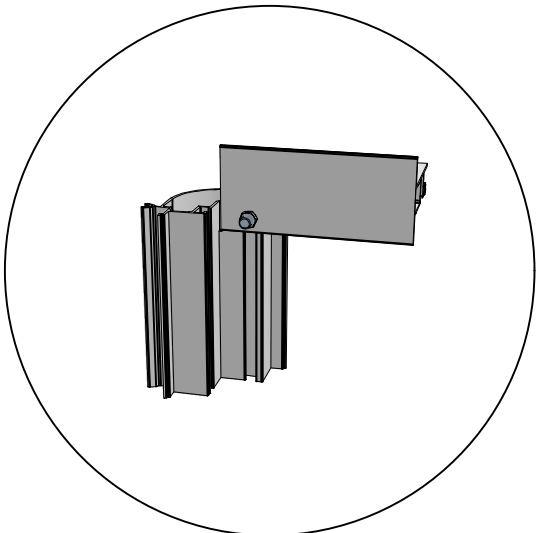
 = M6x12 (8x)




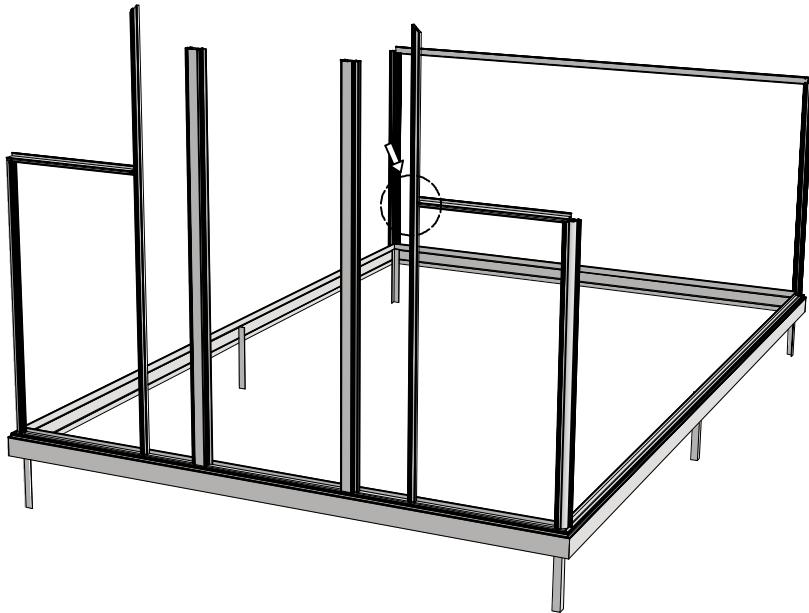
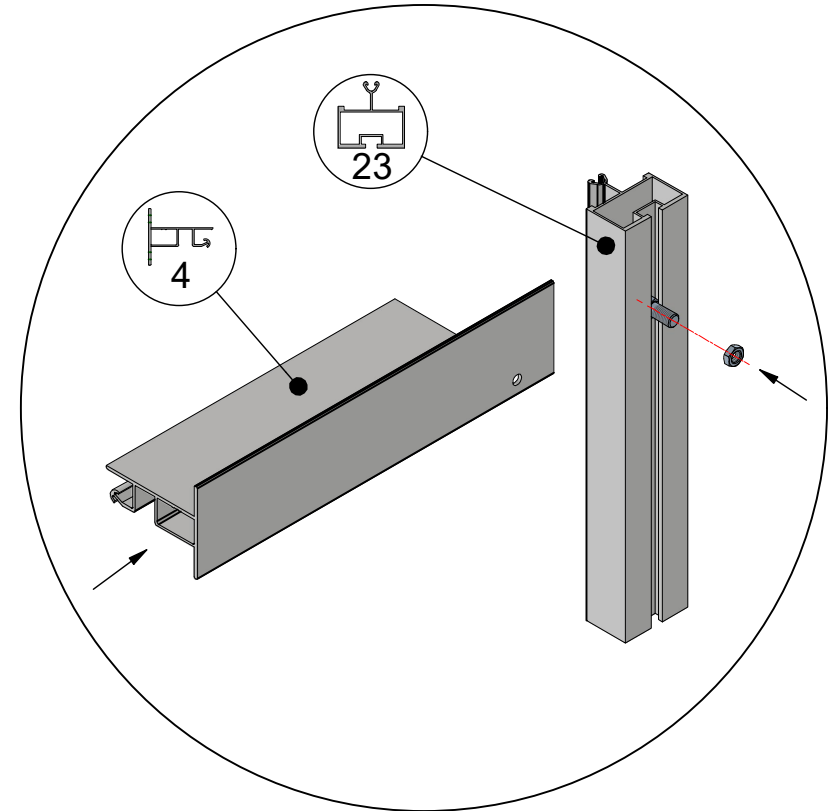
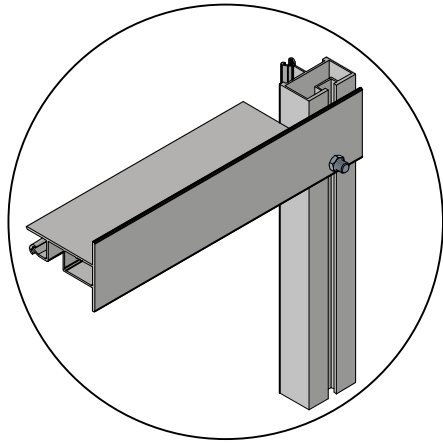
 = M6x12



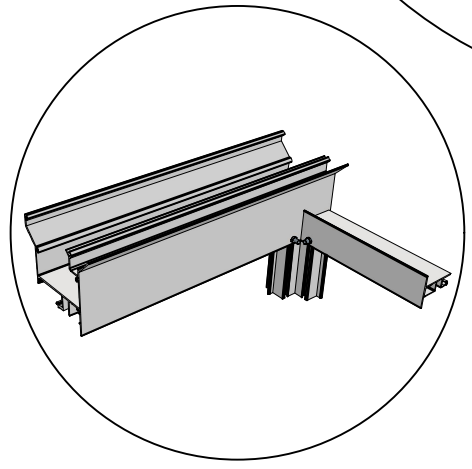
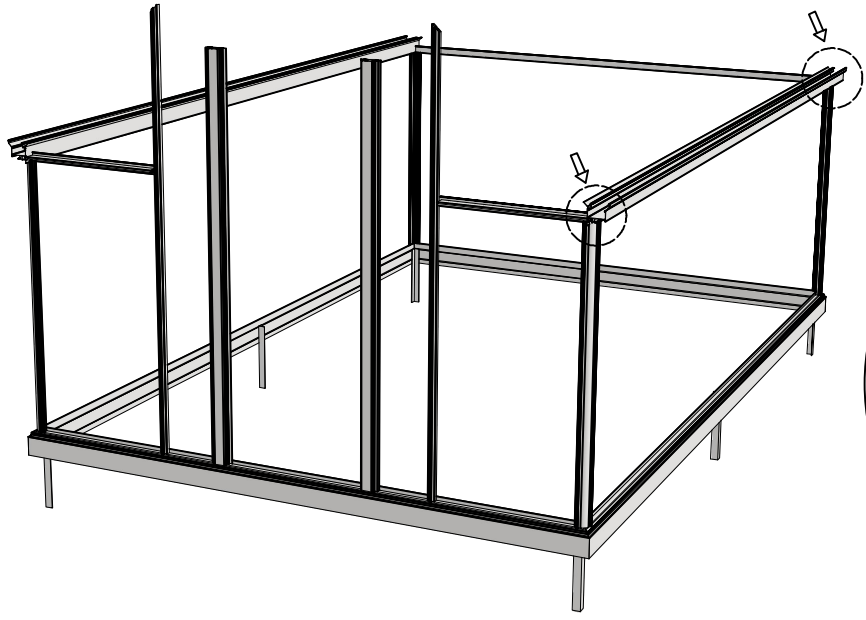
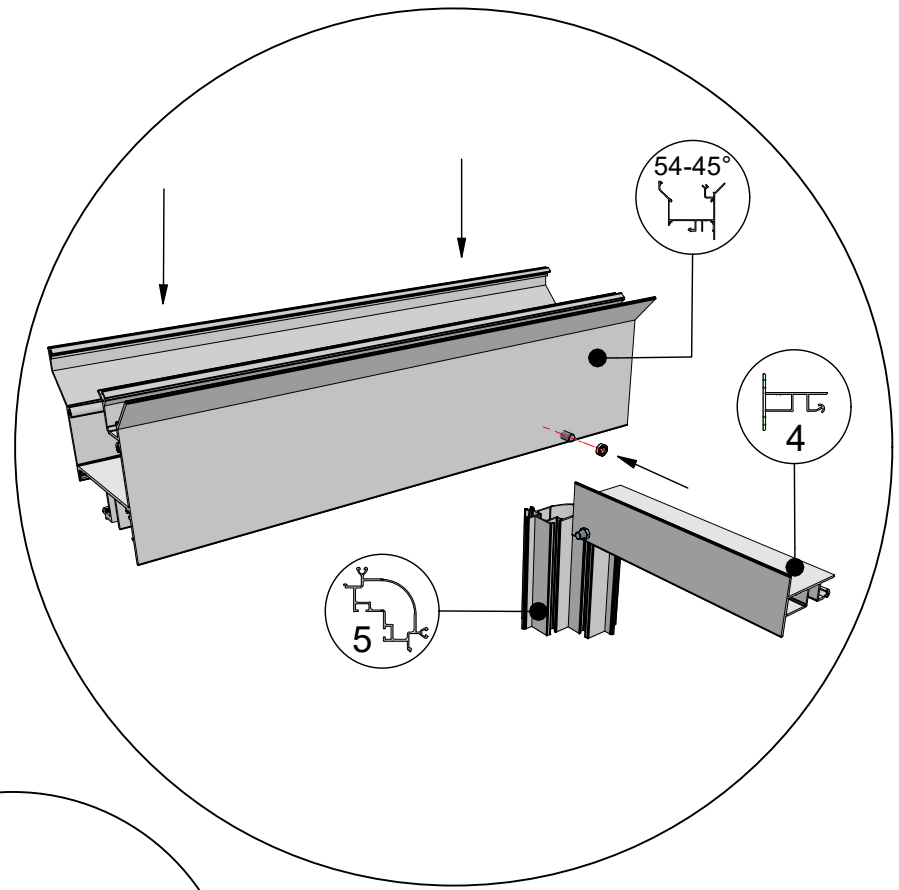
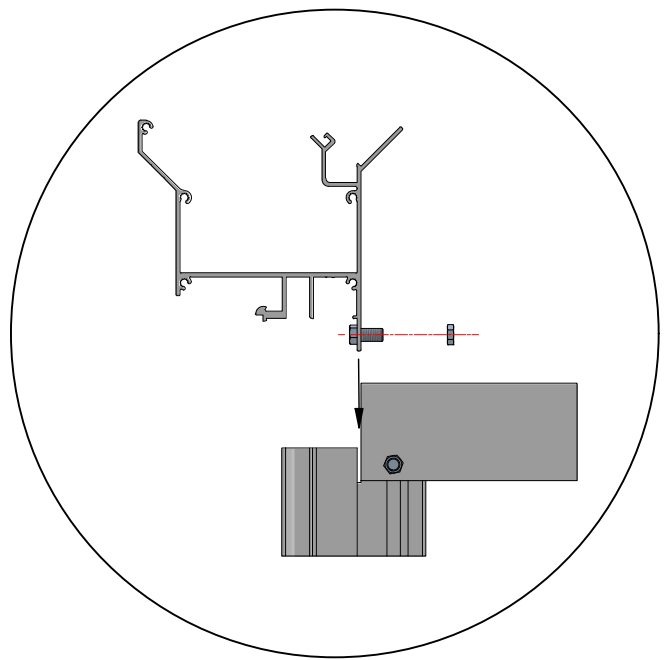
 = M6x12

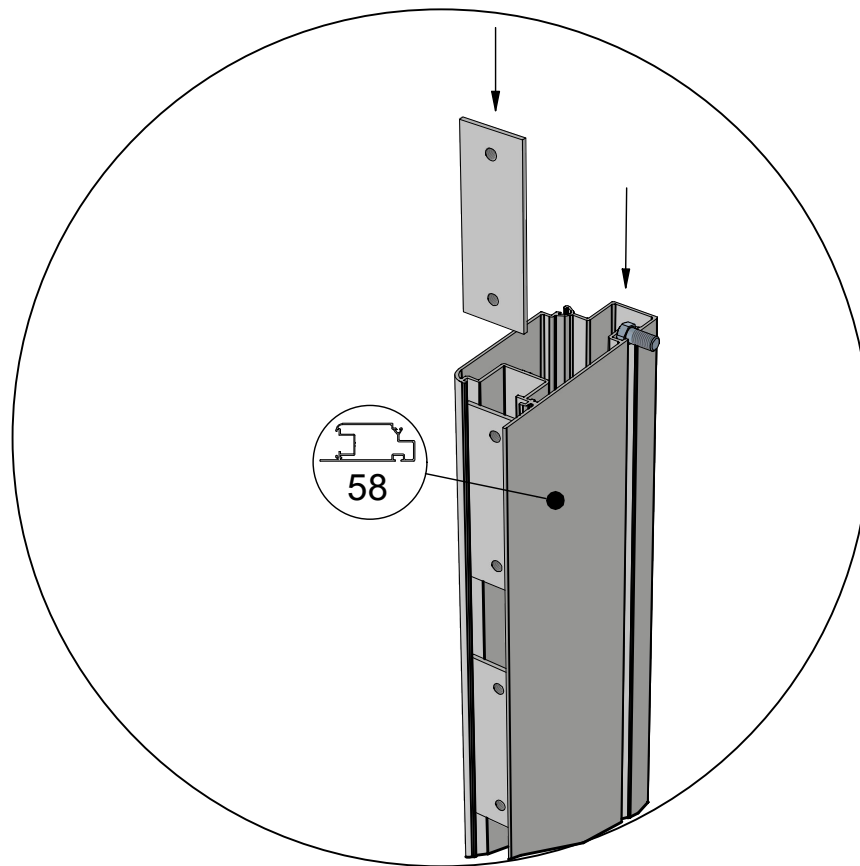
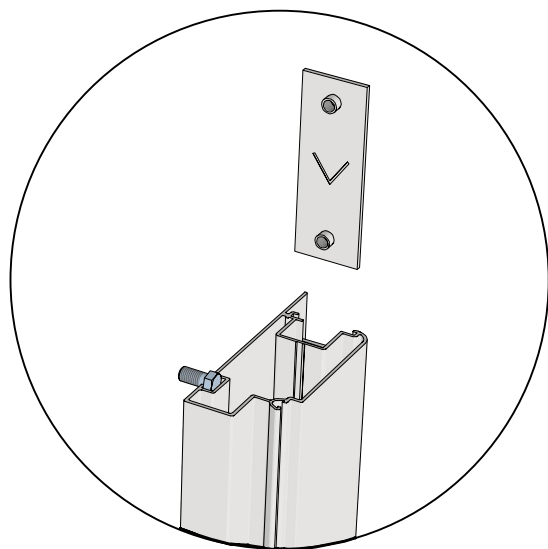
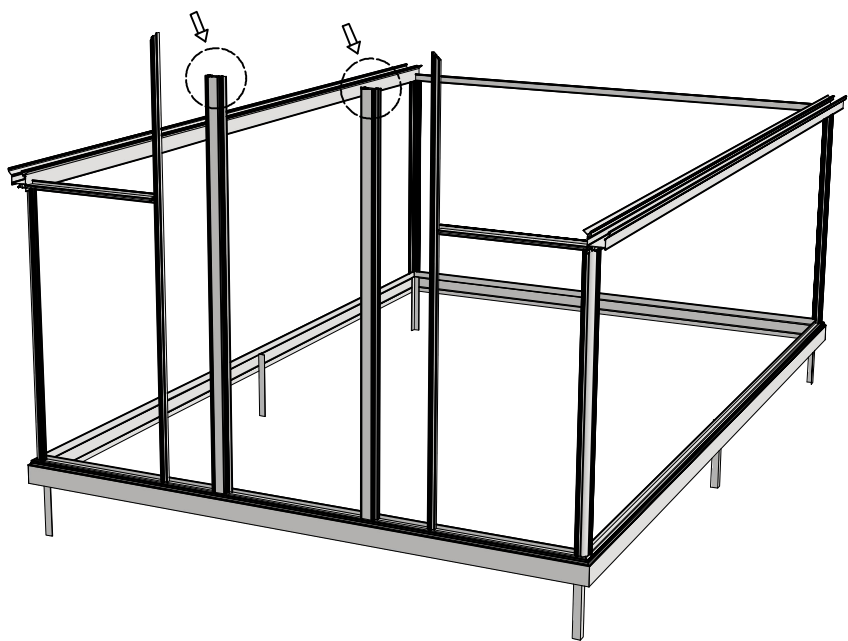


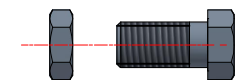
 = M6x12

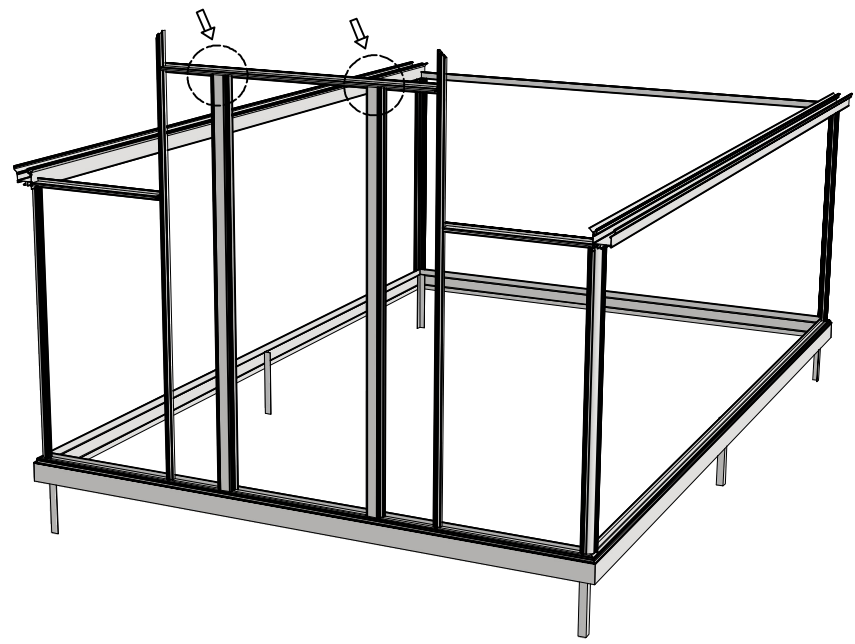
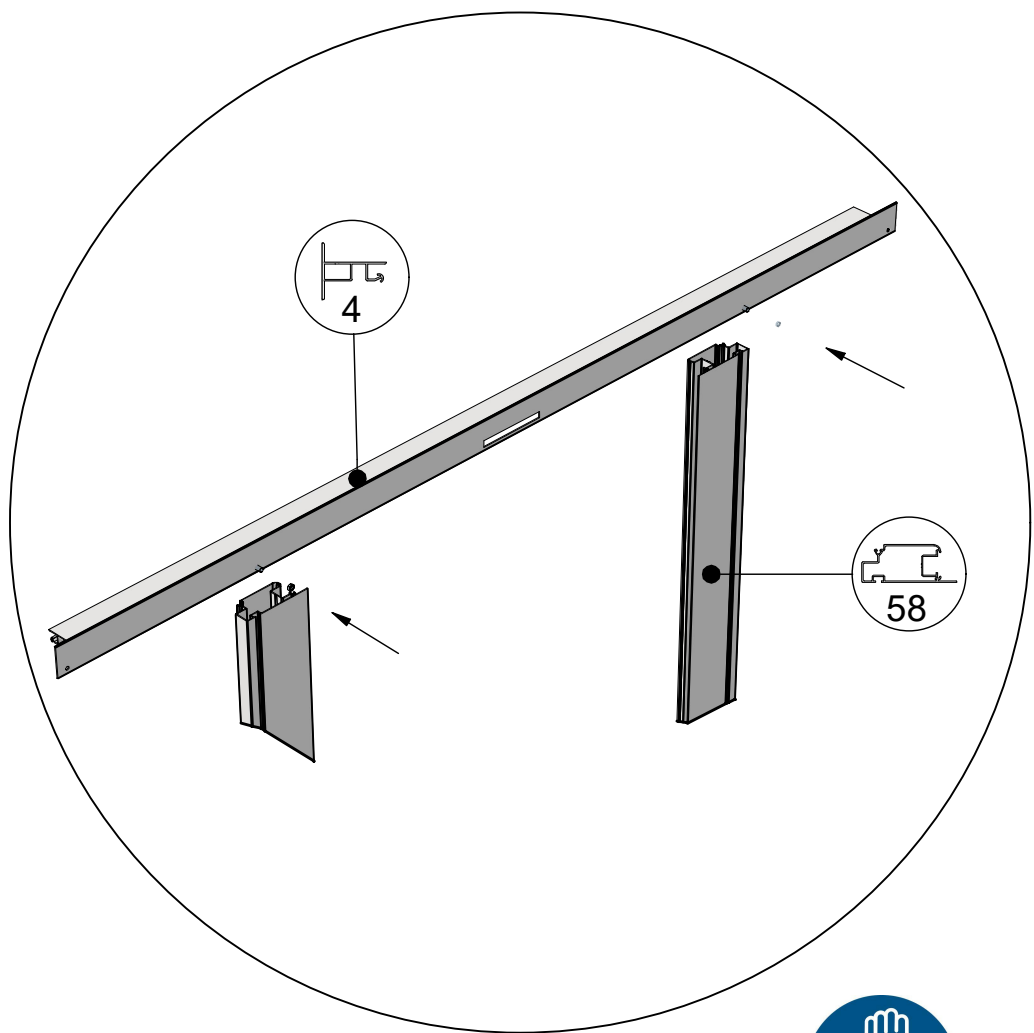
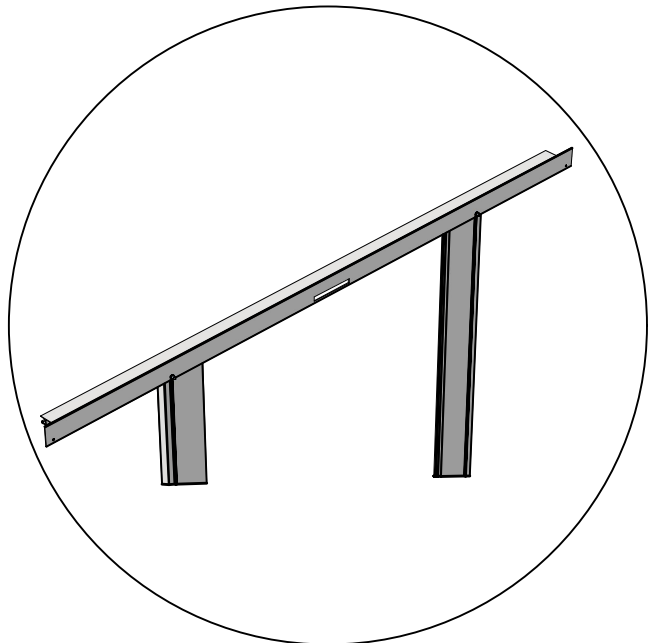


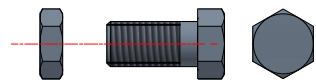
 = M6x12 (4x)

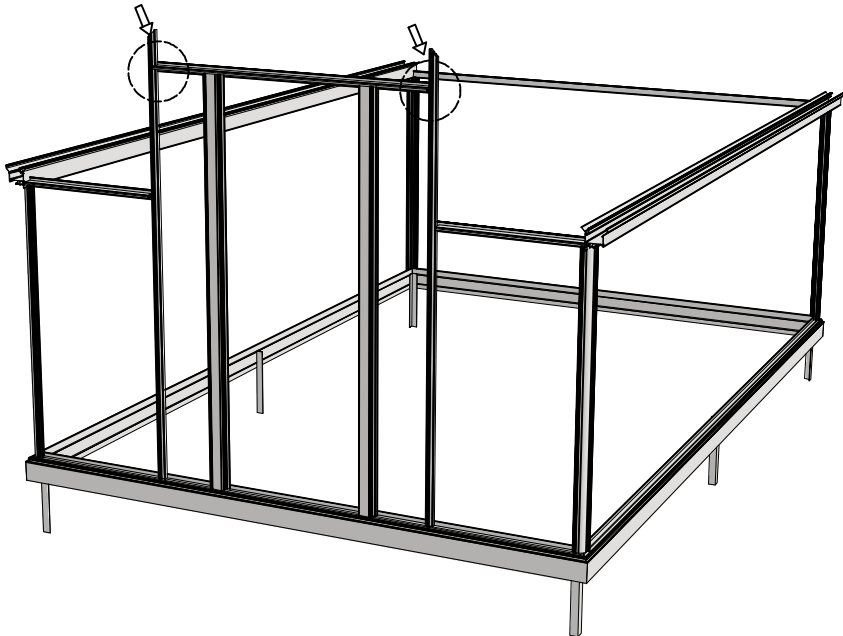
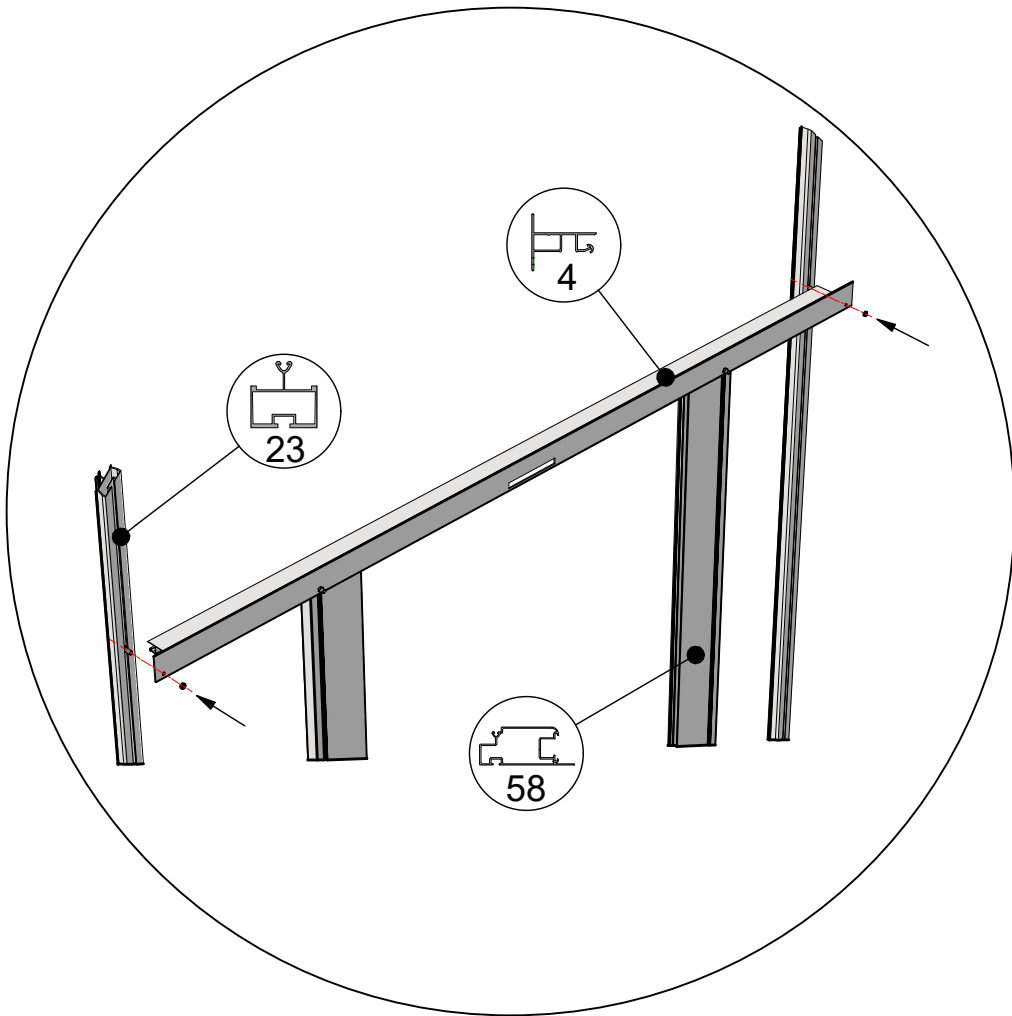
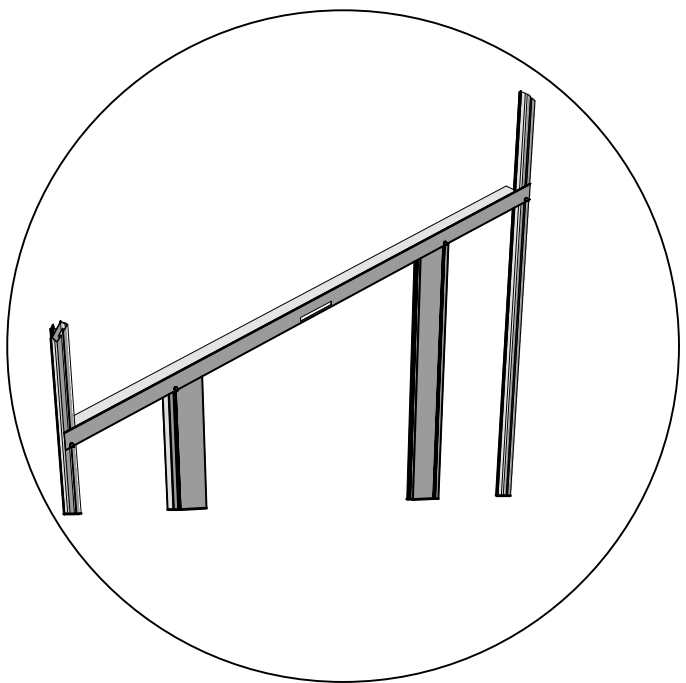


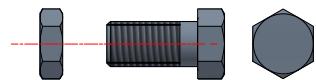


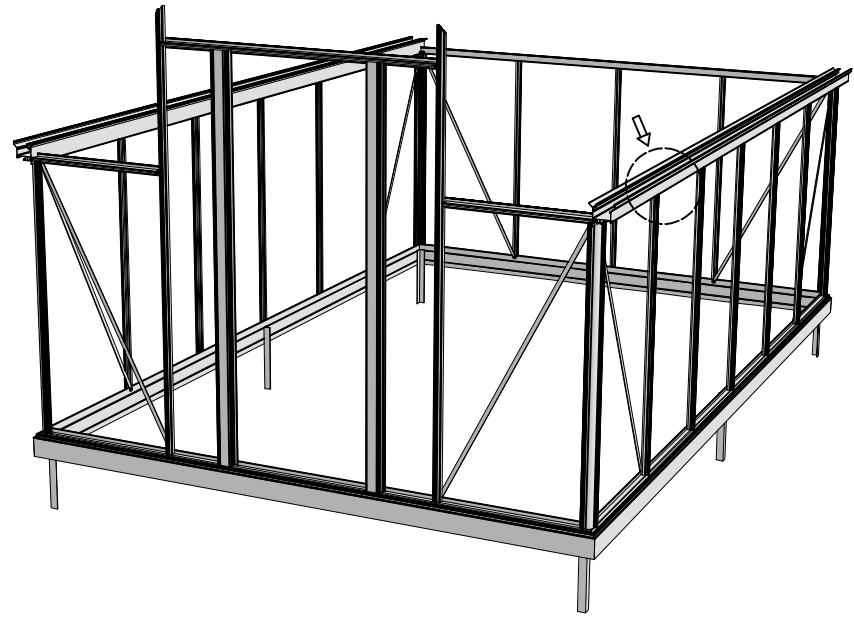
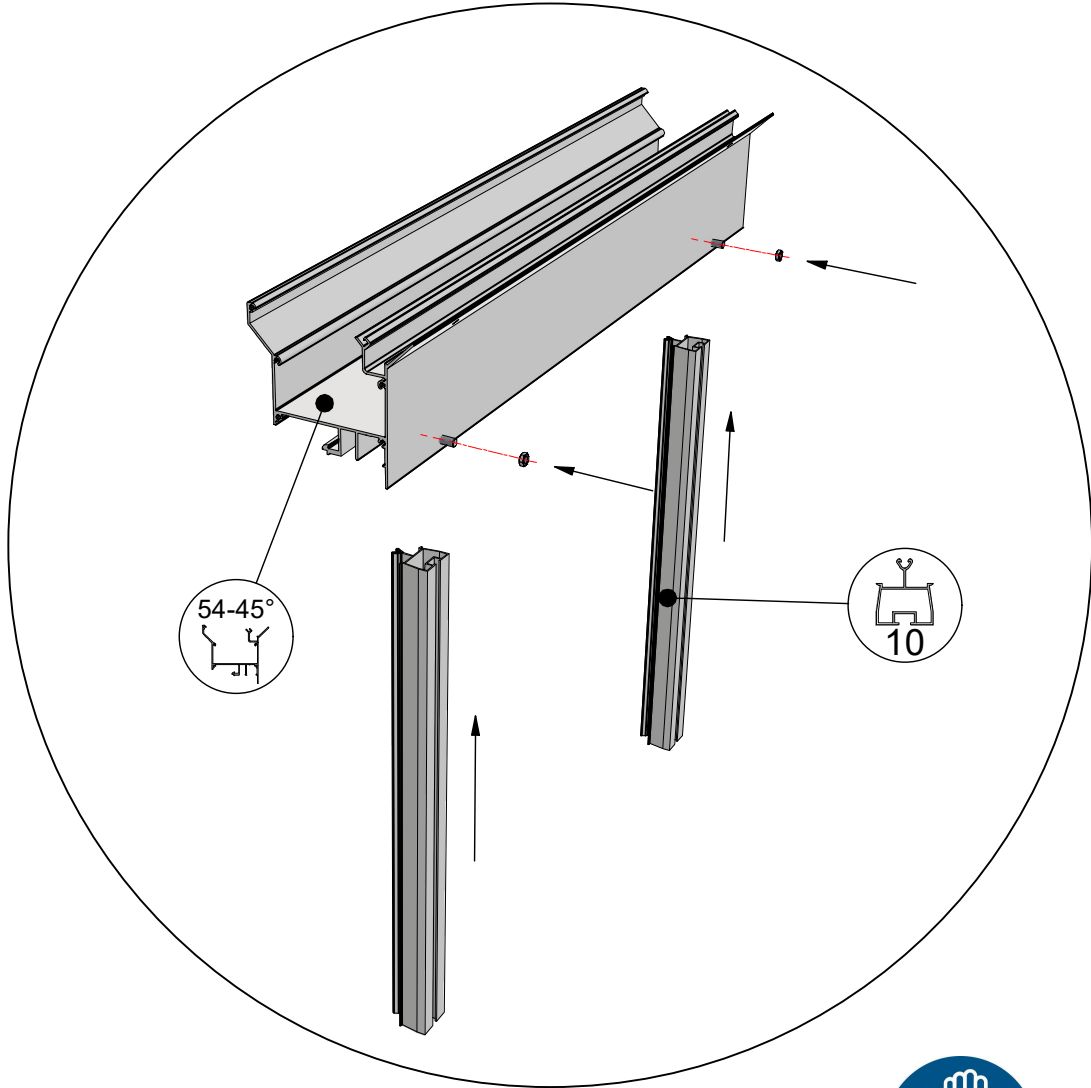
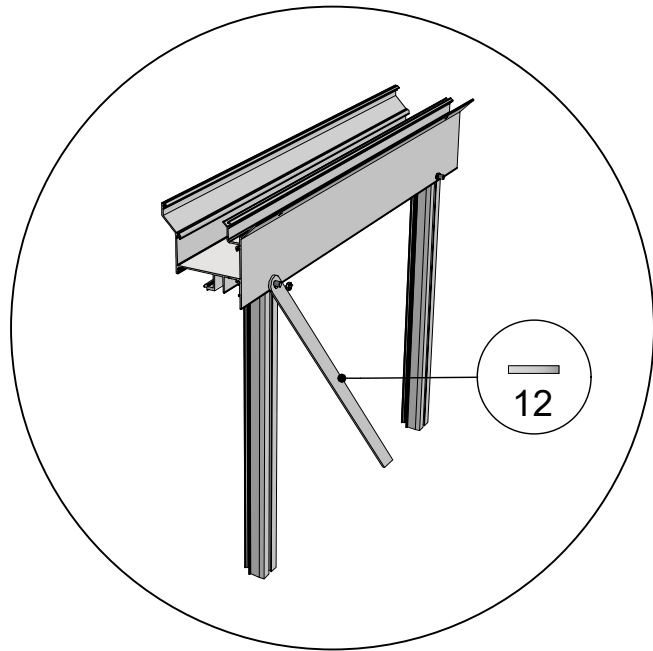
 = M6x12

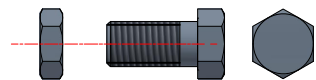


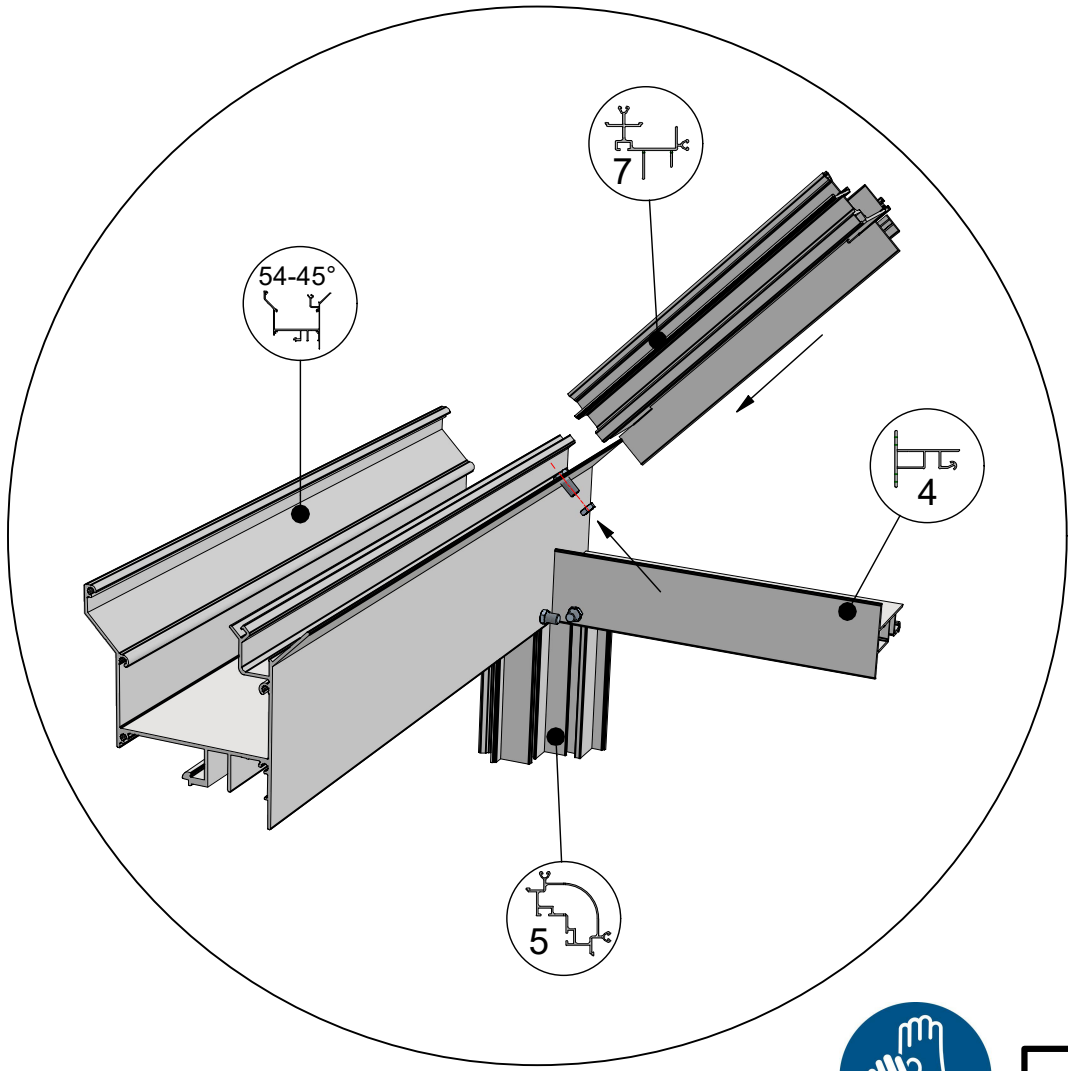
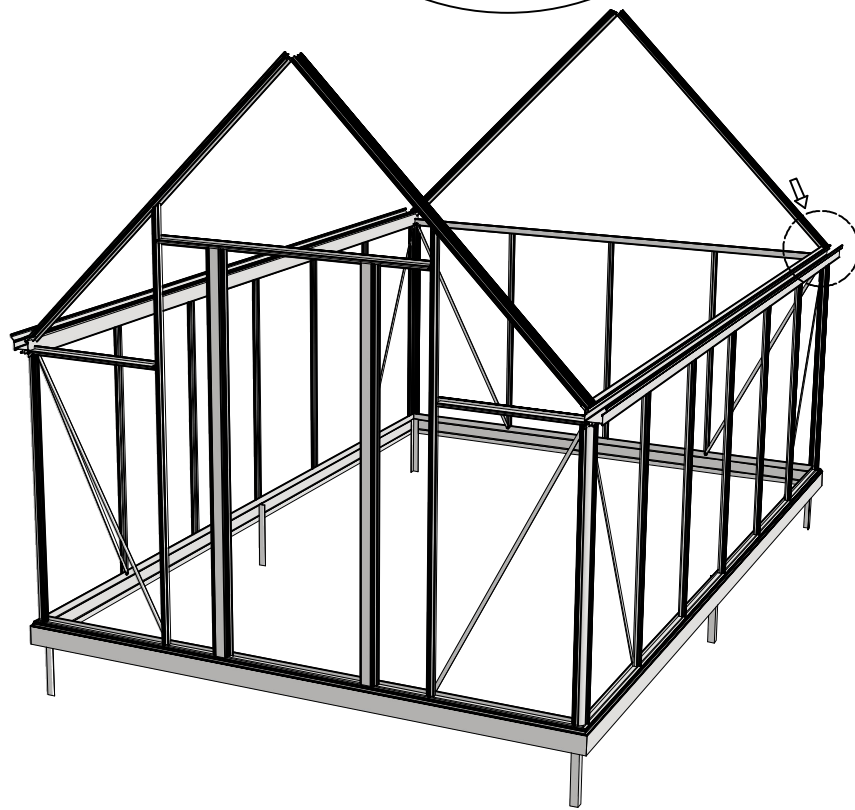
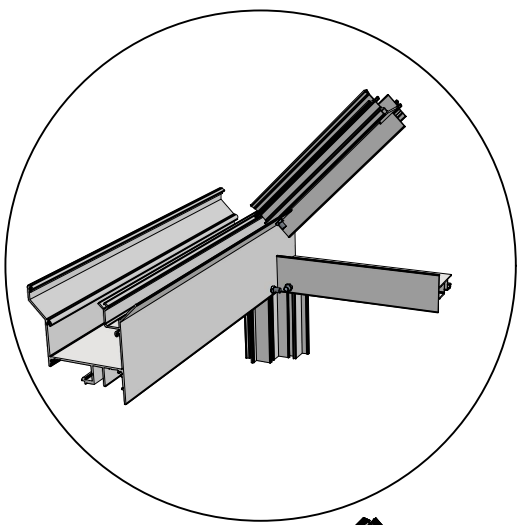
 = M6x12




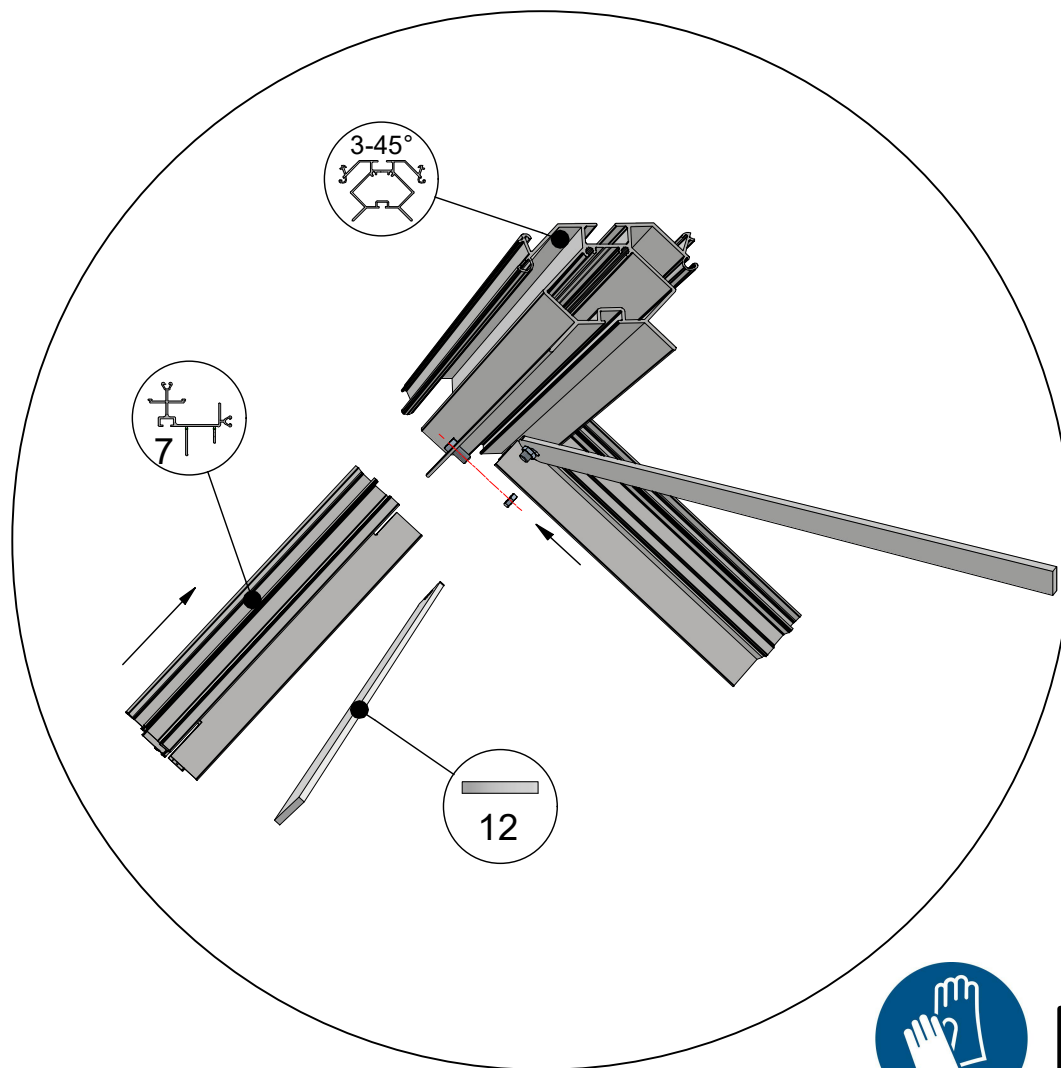
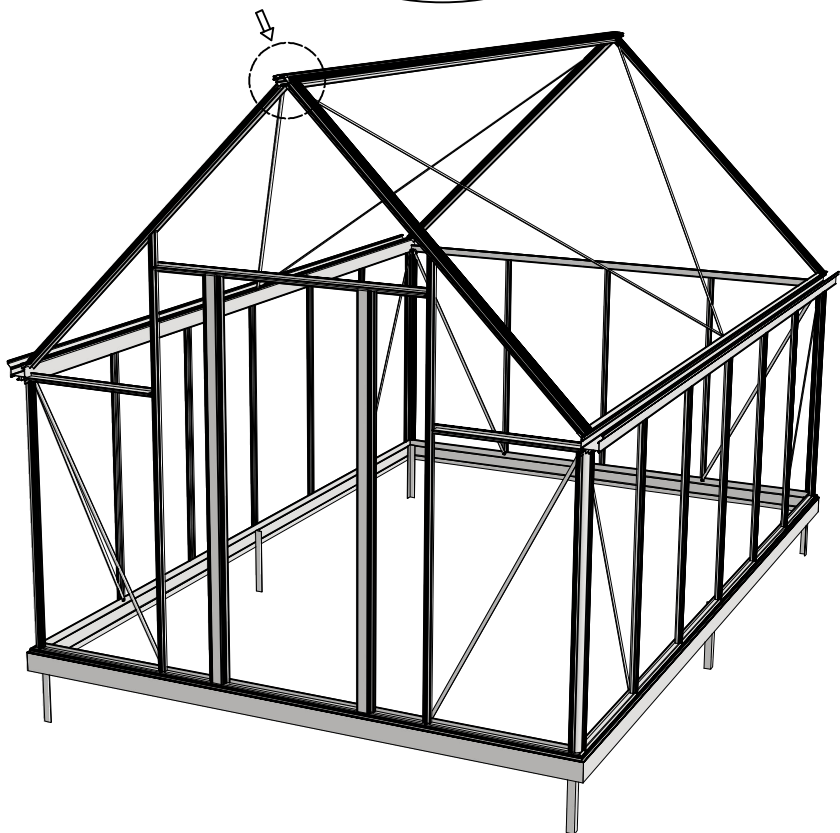
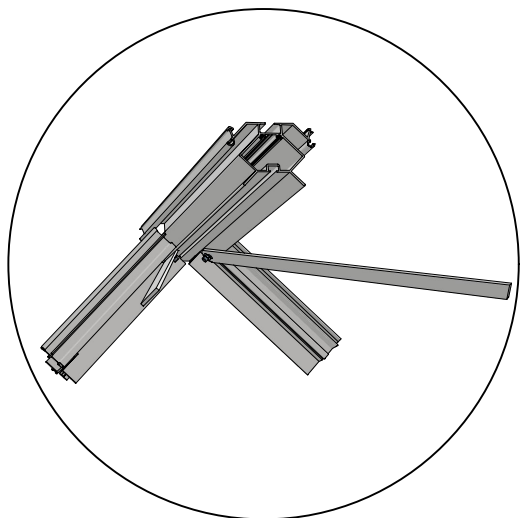
 = M6x12

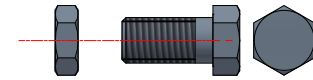


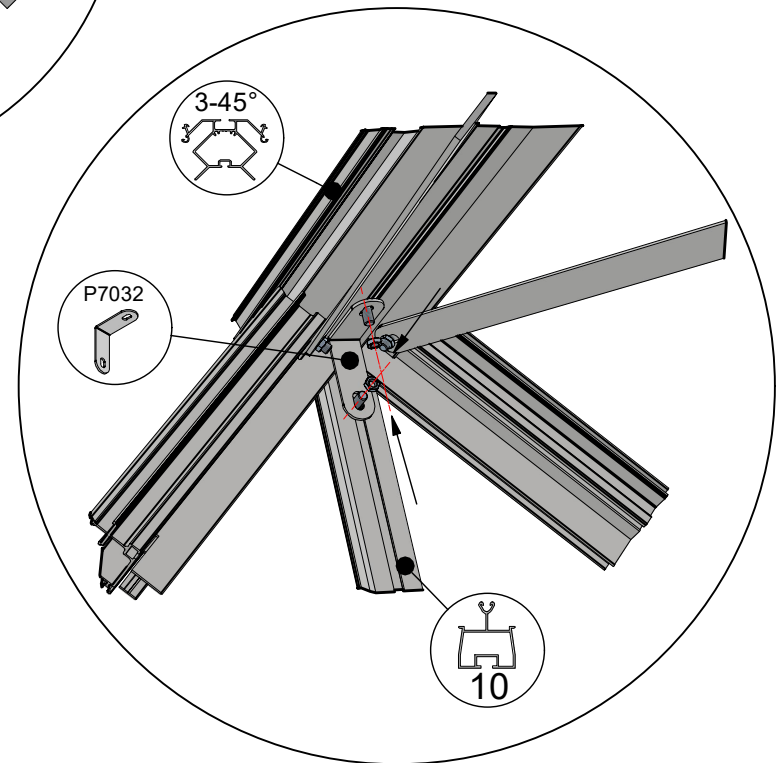
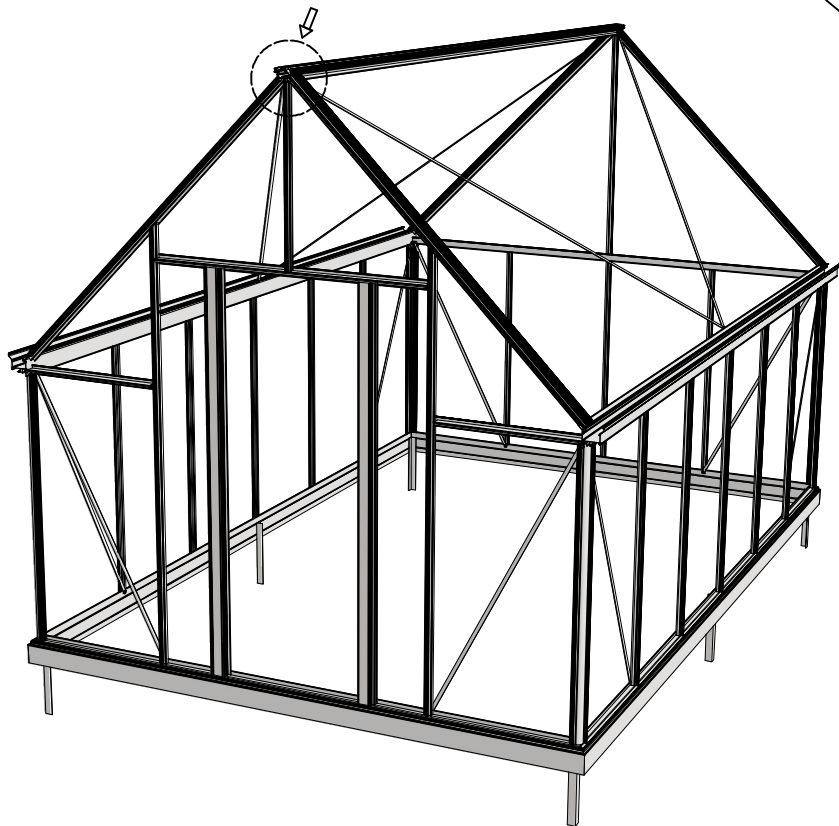
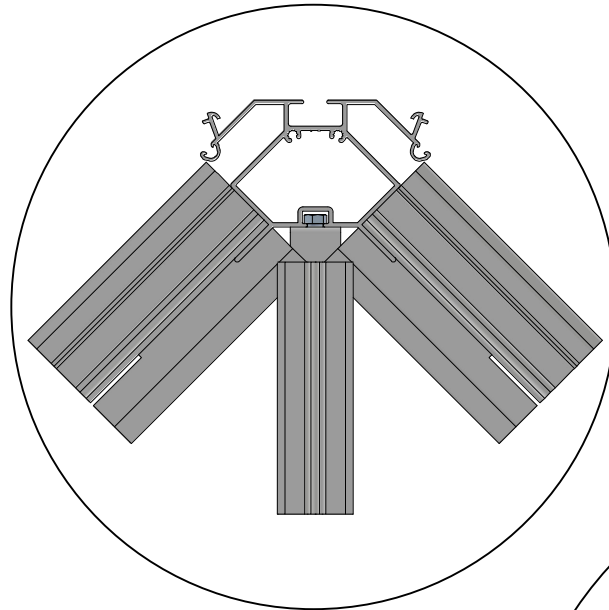
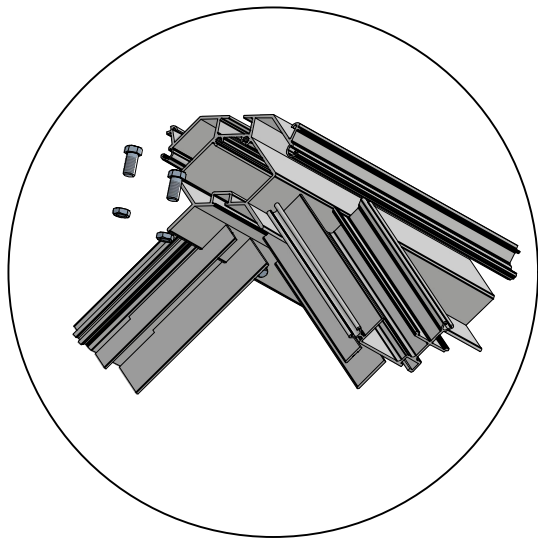
 = M6x12

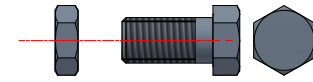


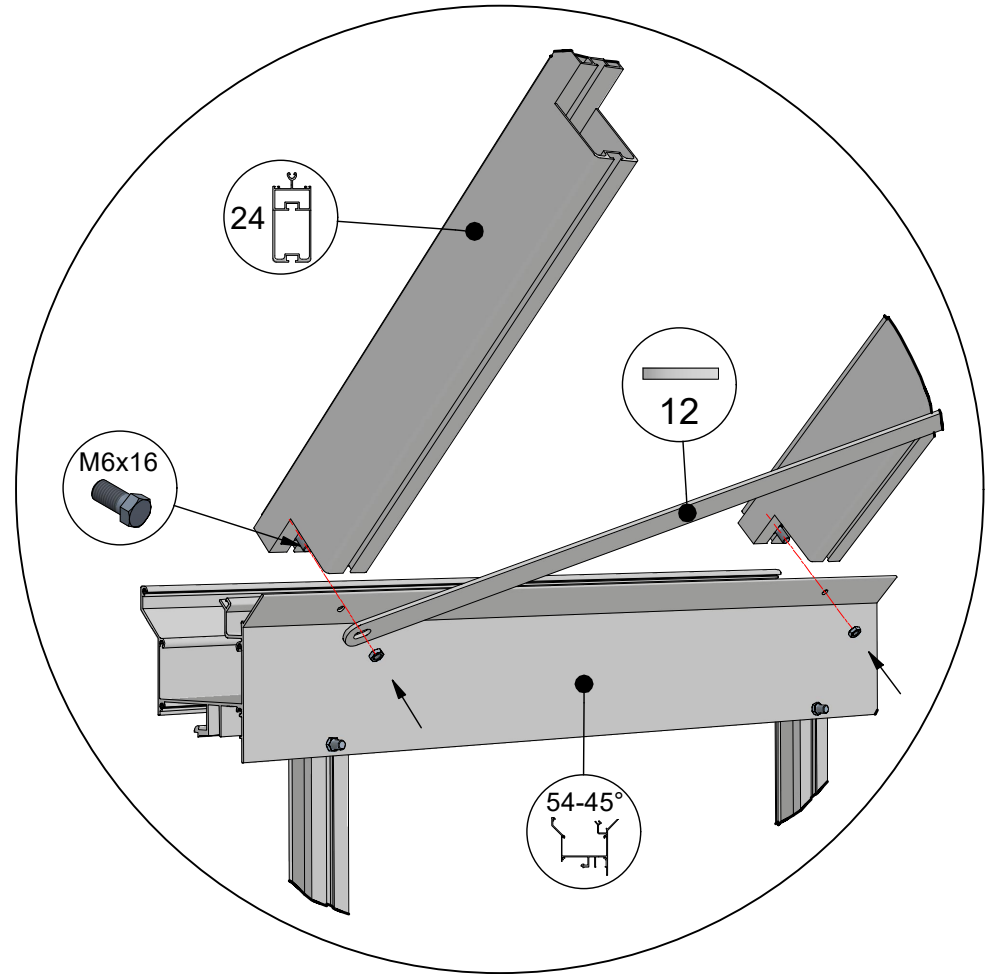
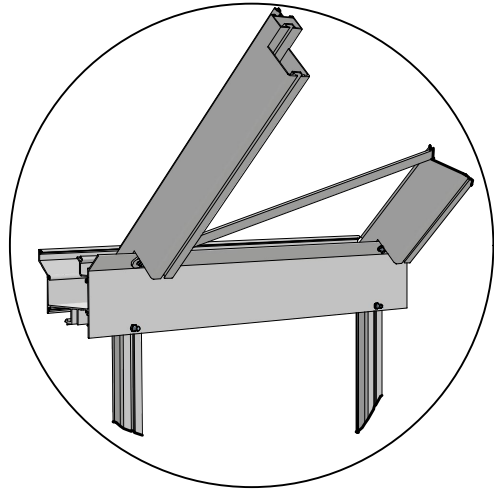
 = M6x12

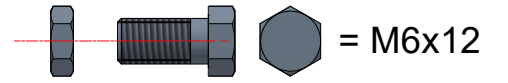


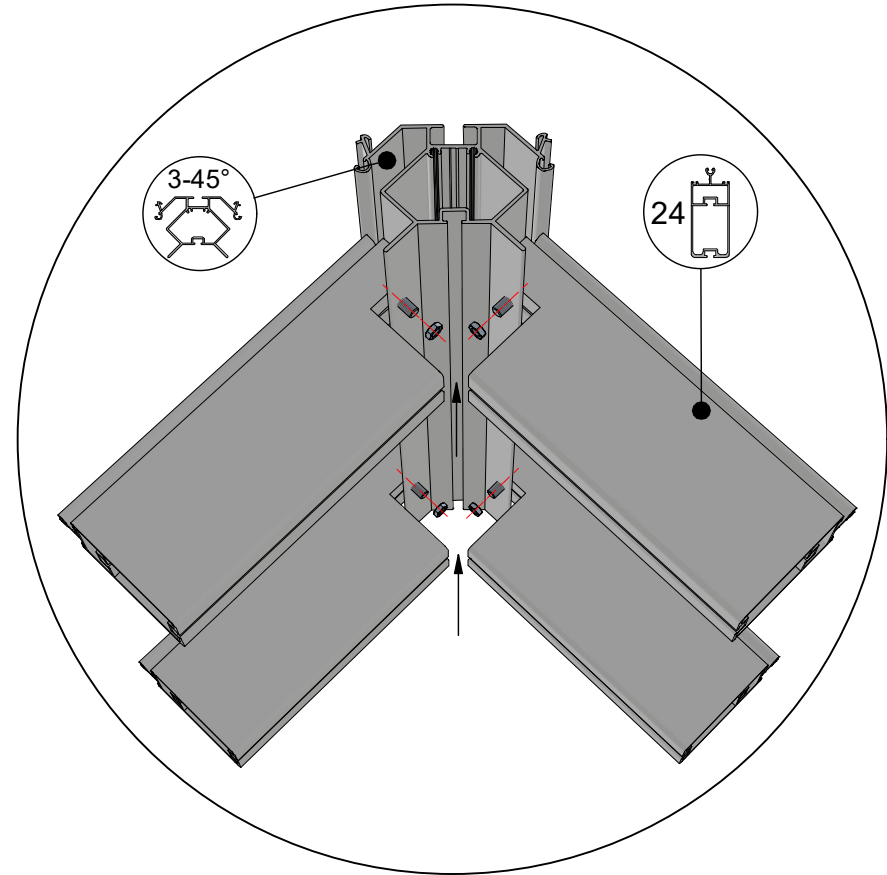
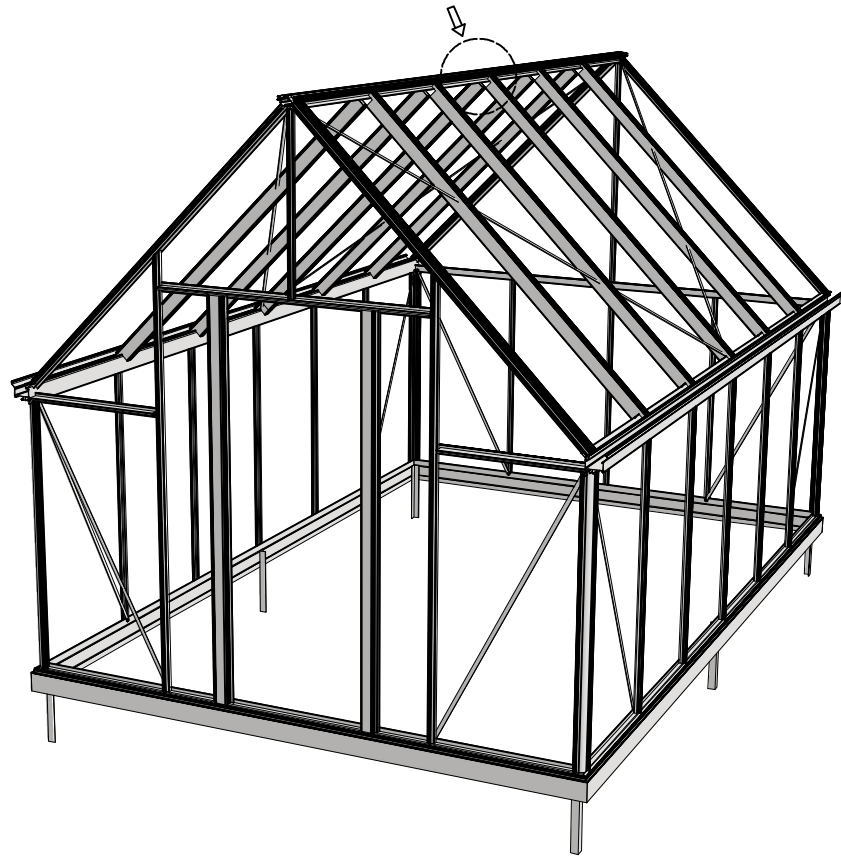
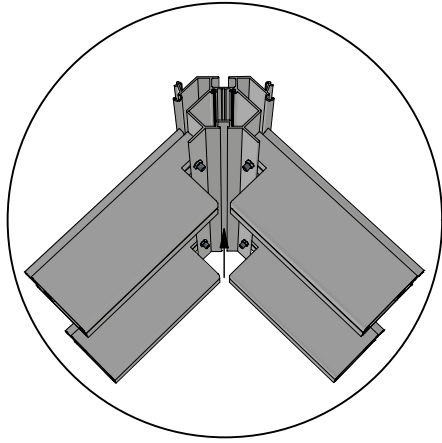
 = M6x12



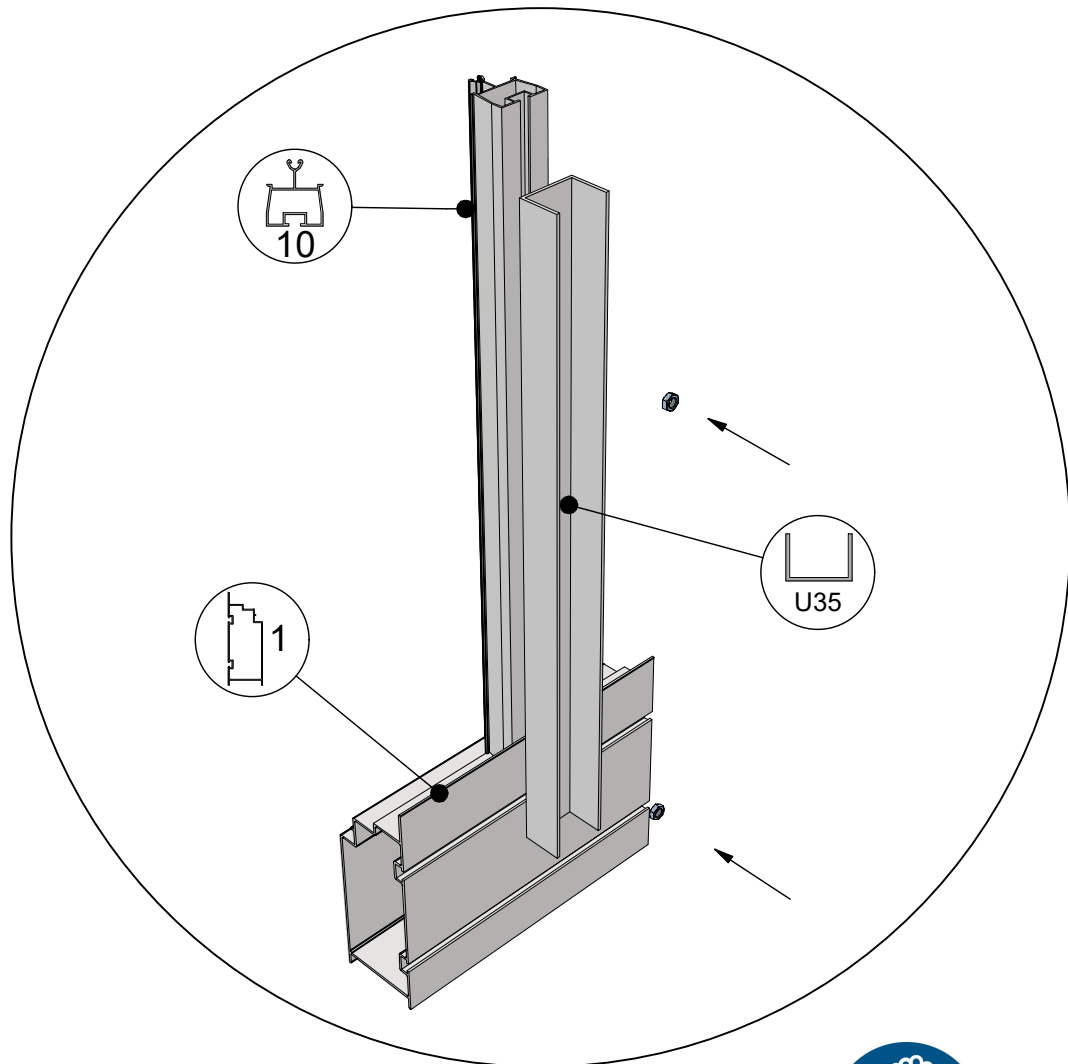
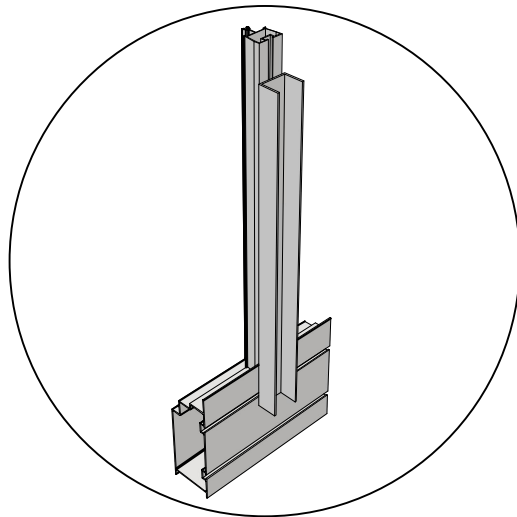
 = M6x12

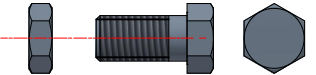


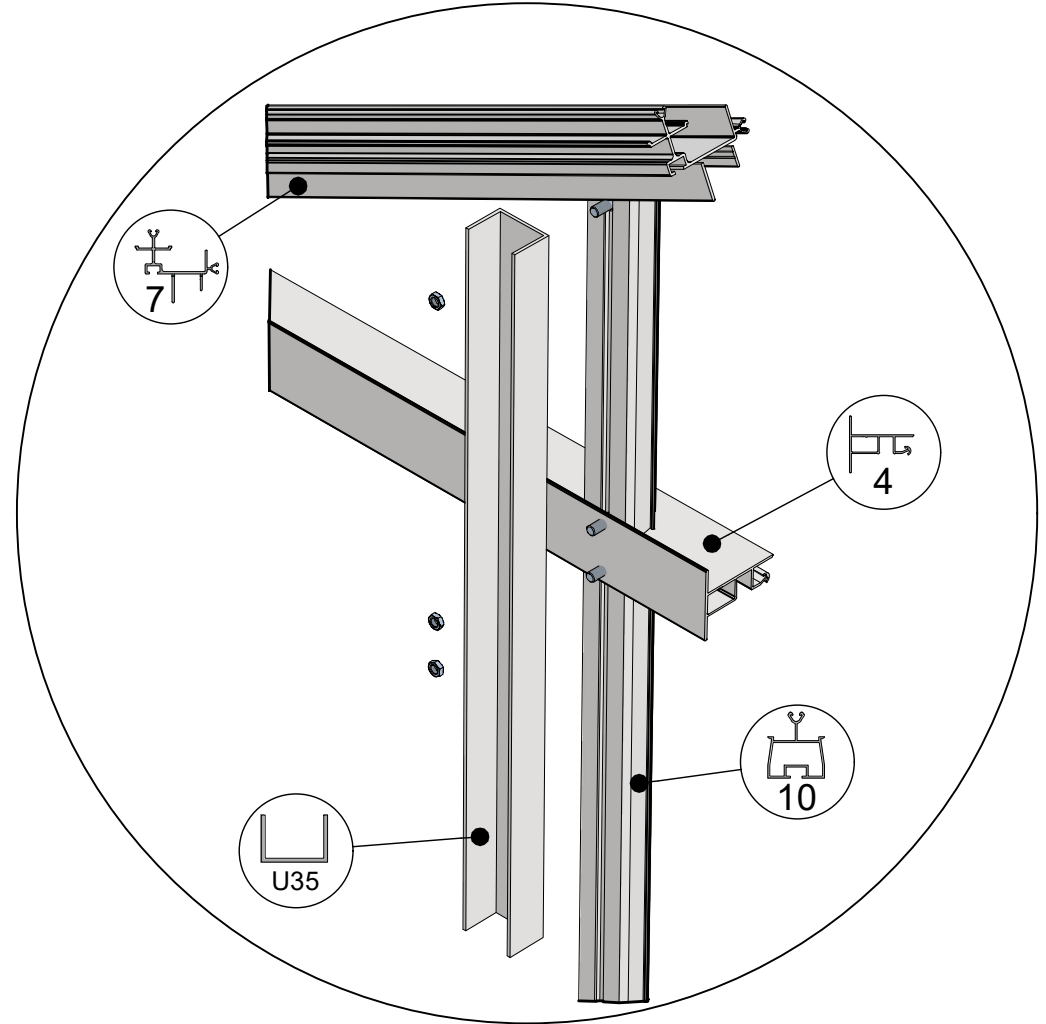
 = M6x12




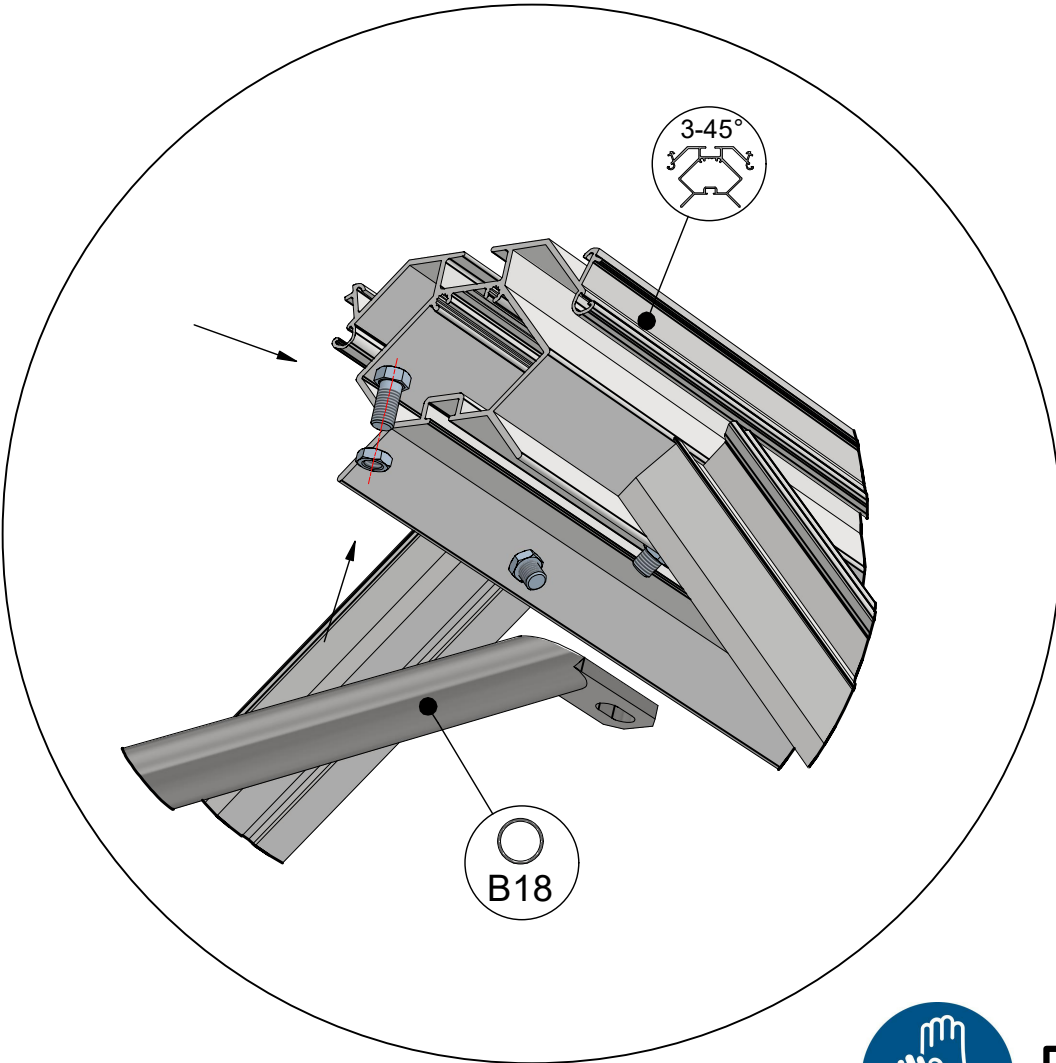
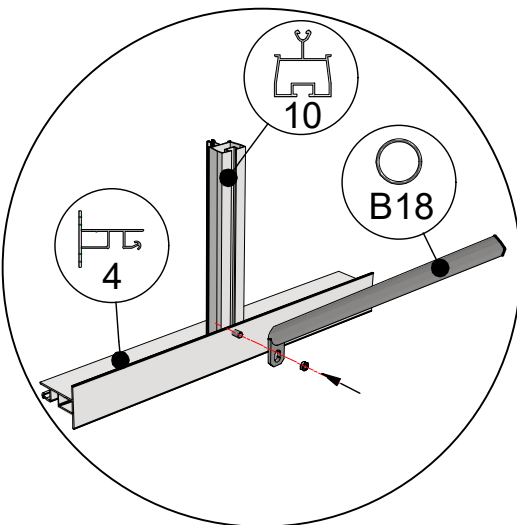
 = M6x12

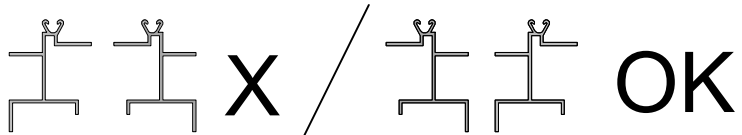
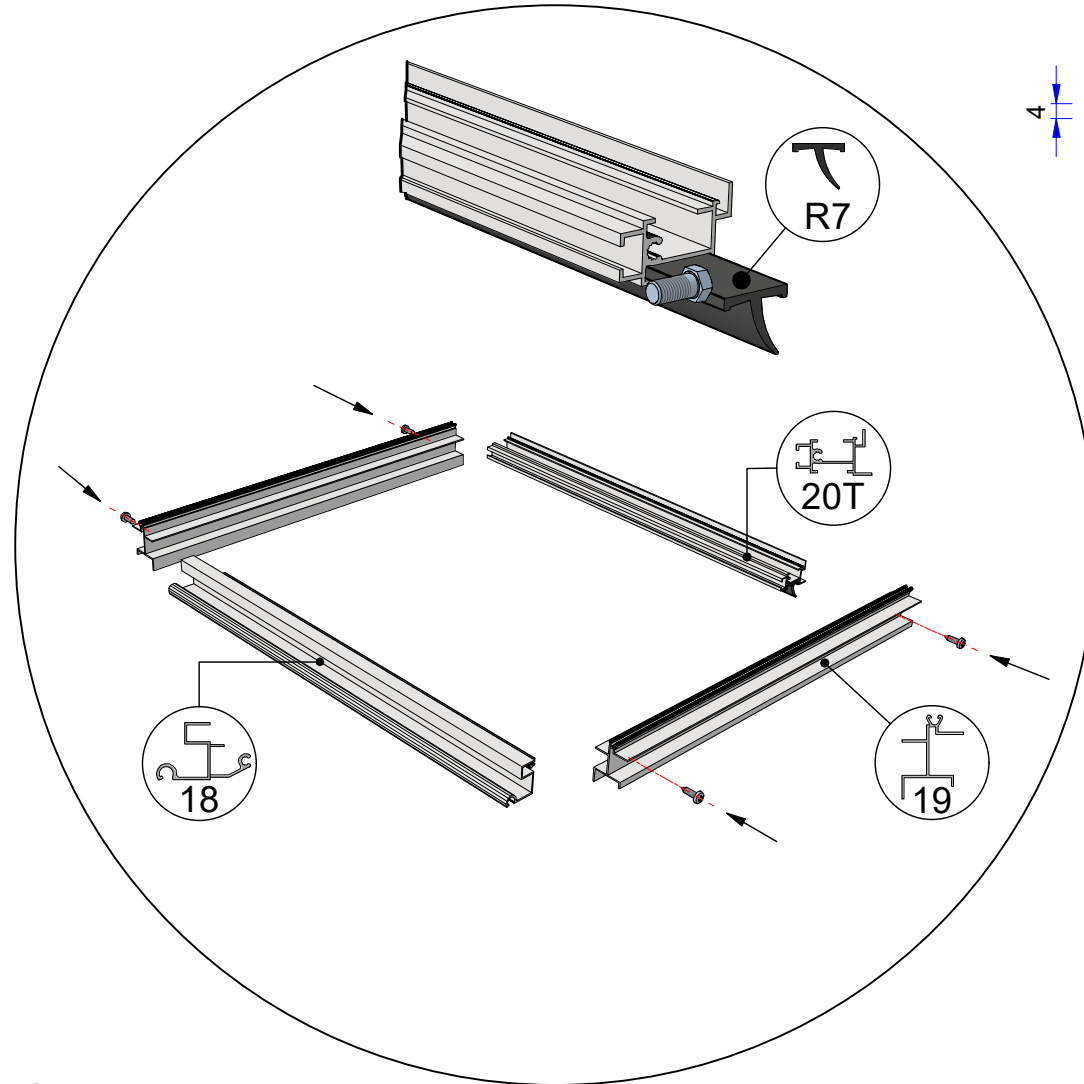
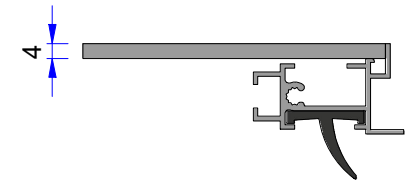
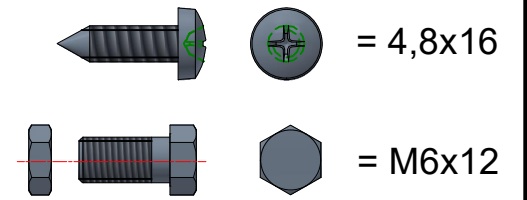
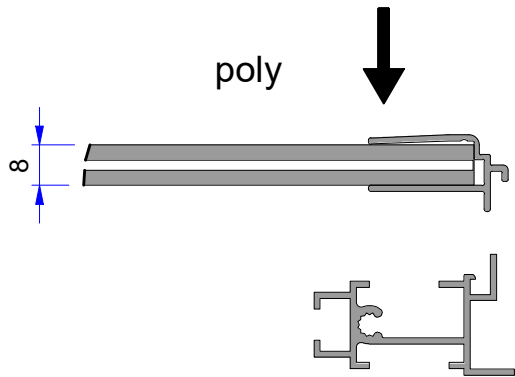


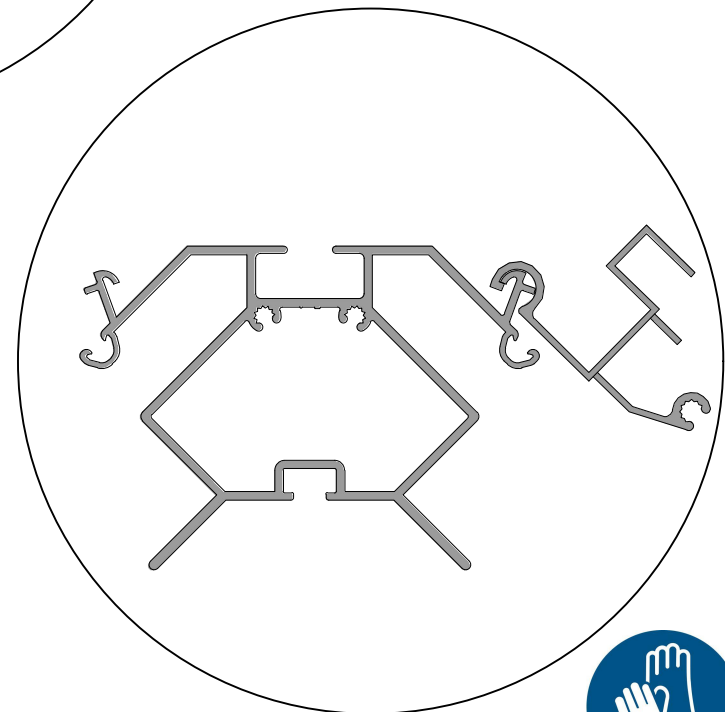
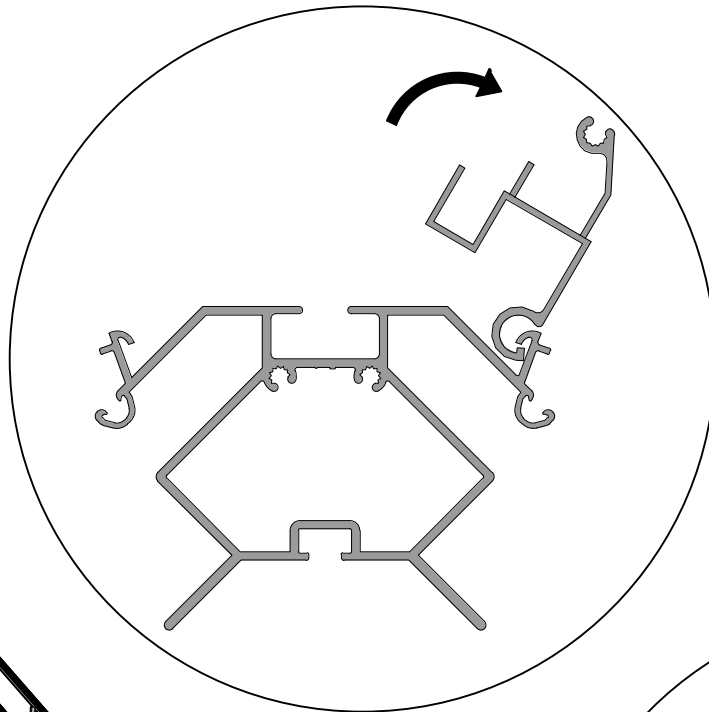
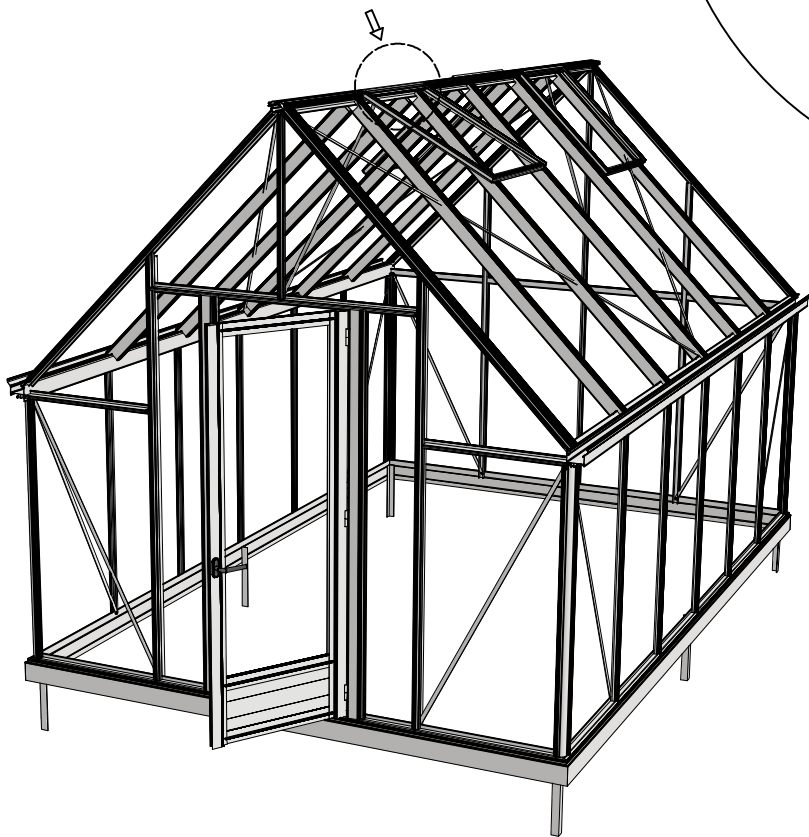
 = M6x12

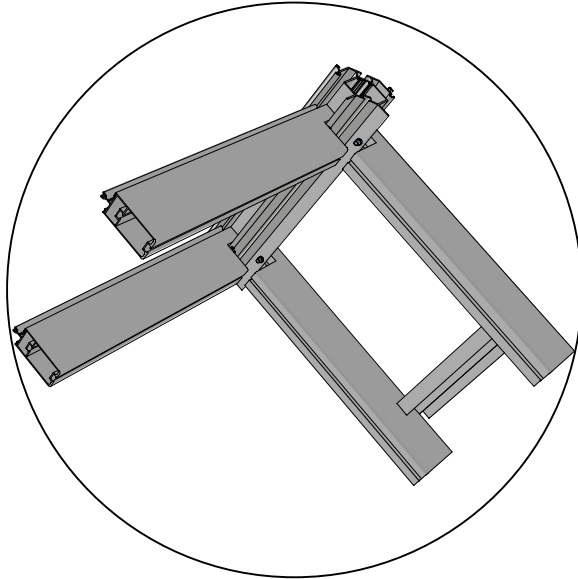
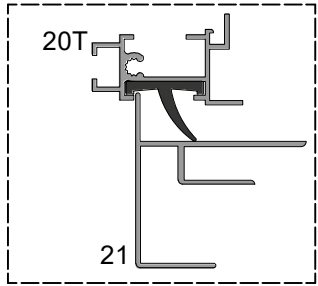


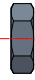
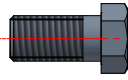

 = M6x12

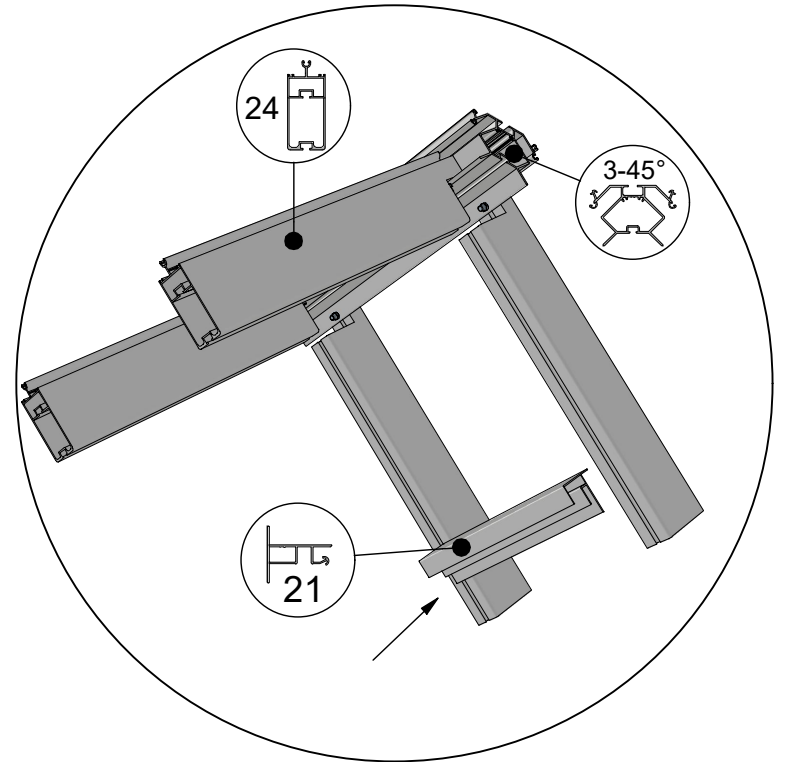


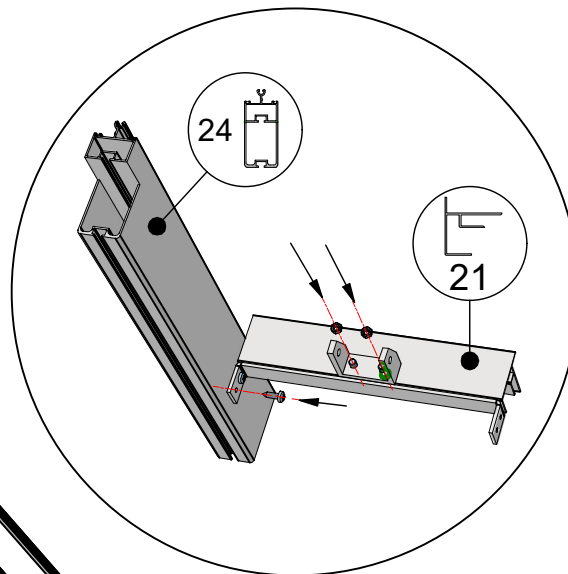
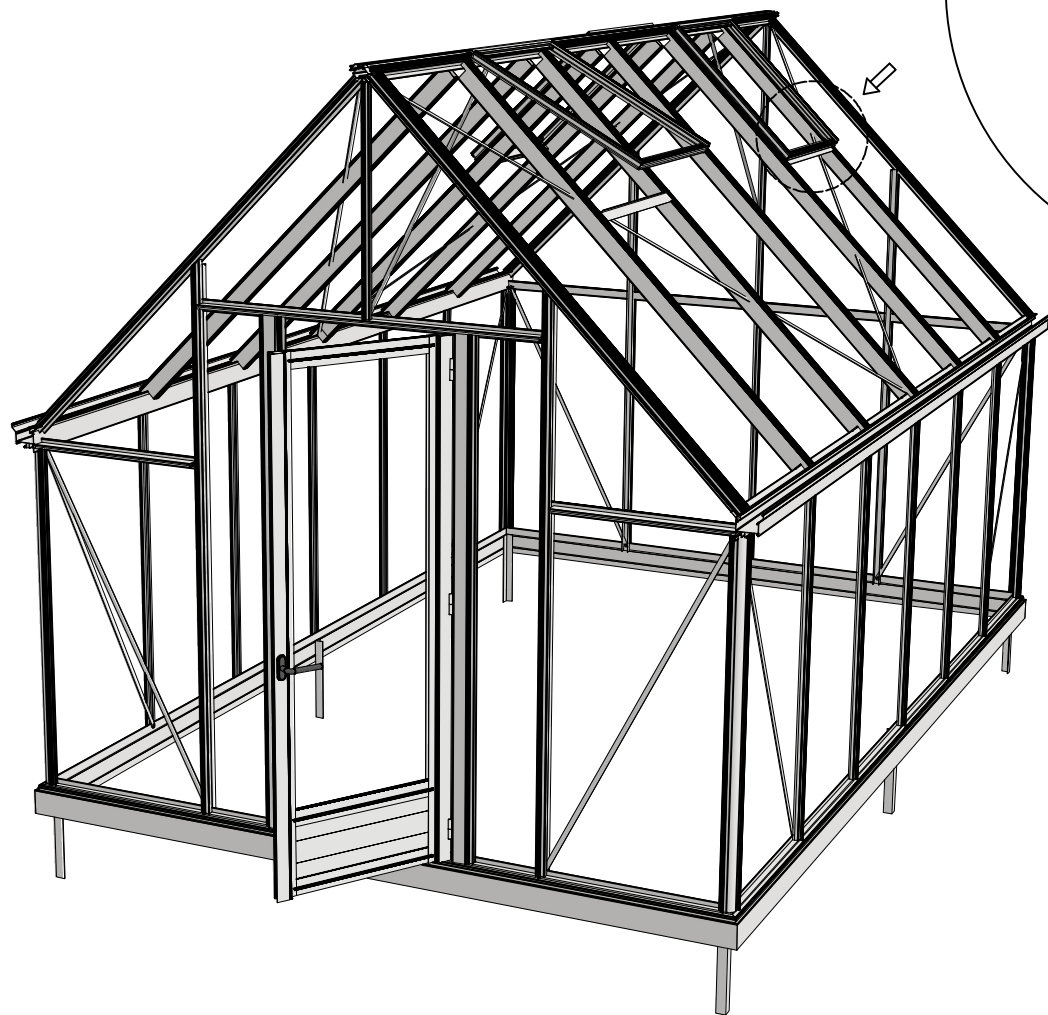
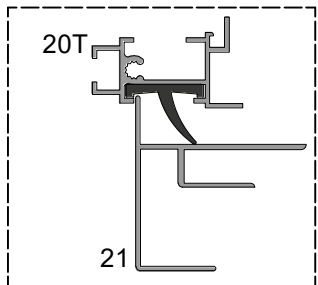






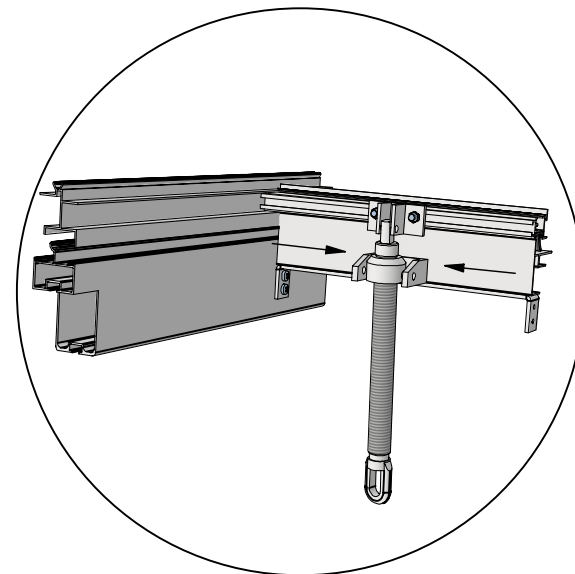
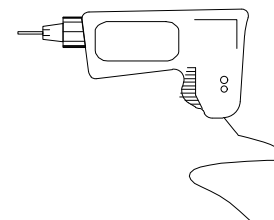
   = M6x12






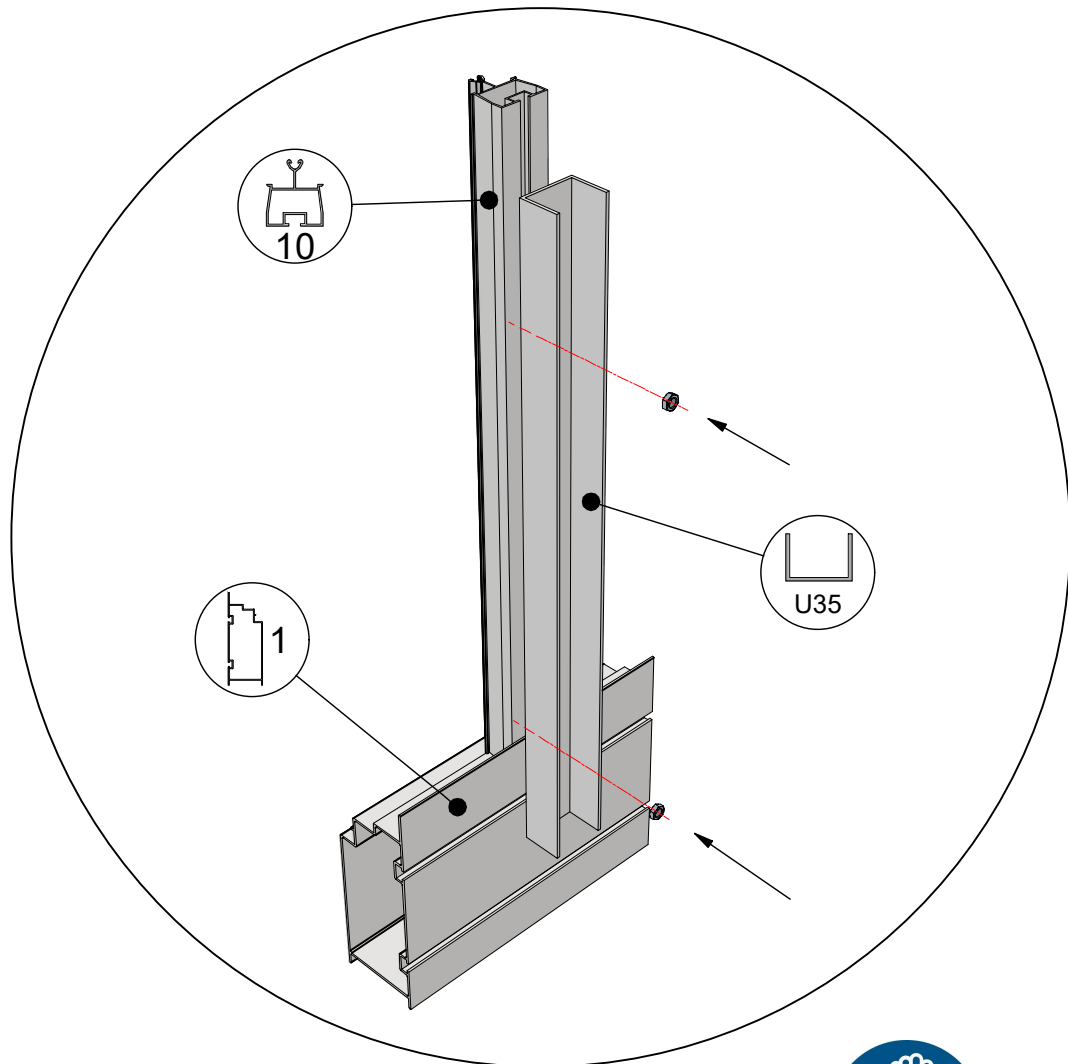
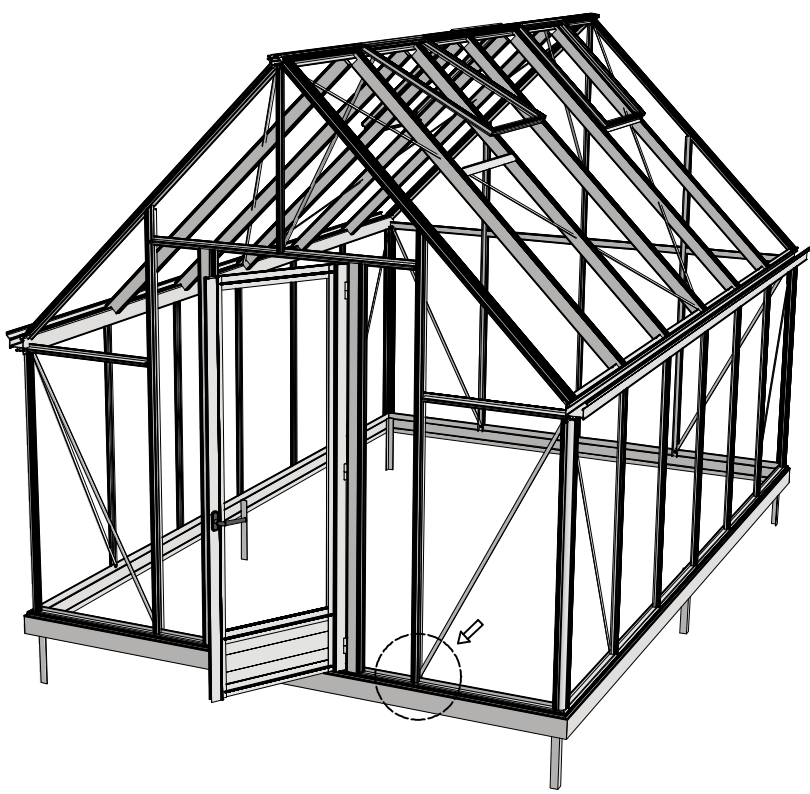
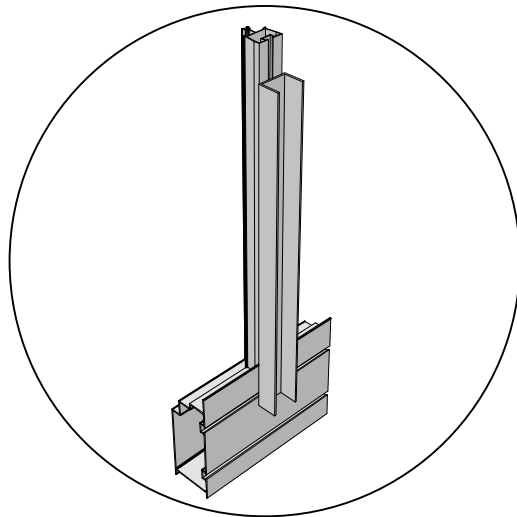
$\varnothing = 6,5\text{mm}$

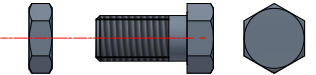
$\varnothing = 4\text{mm}$

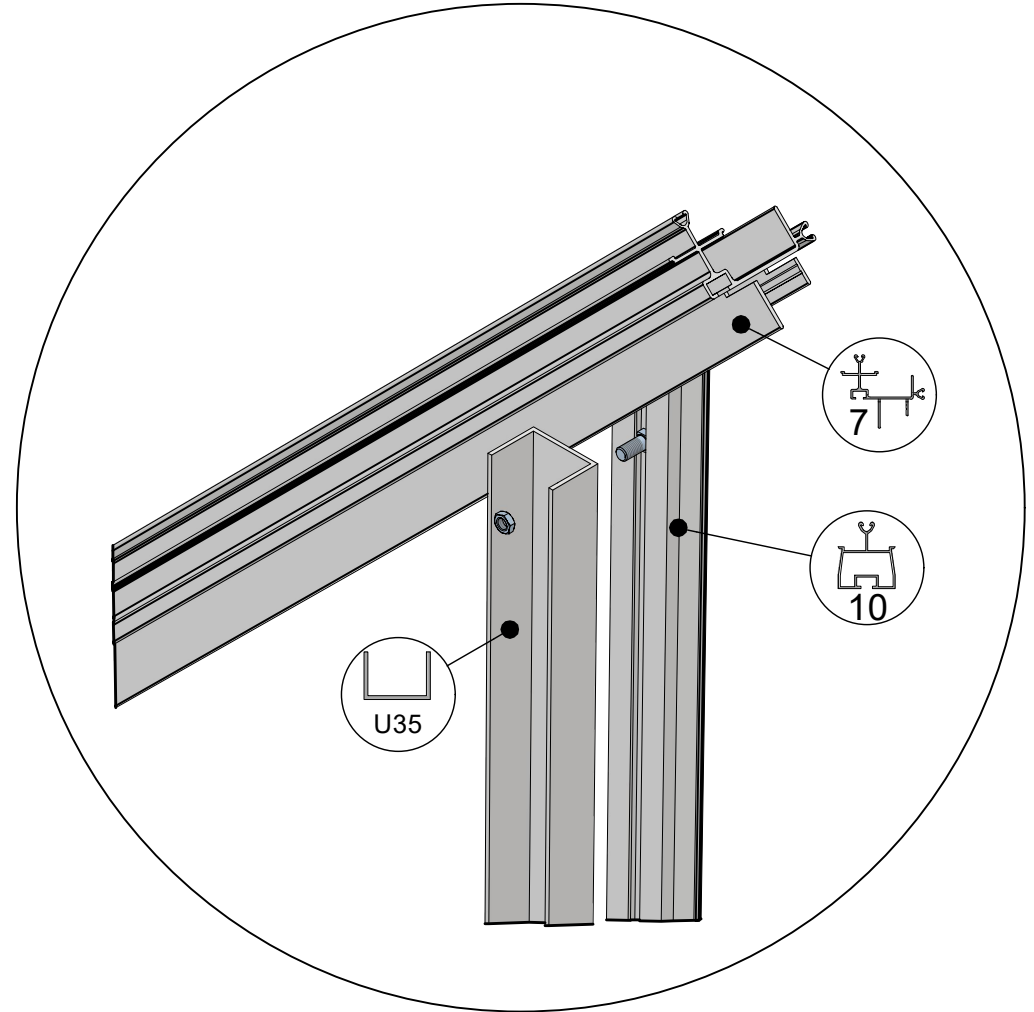
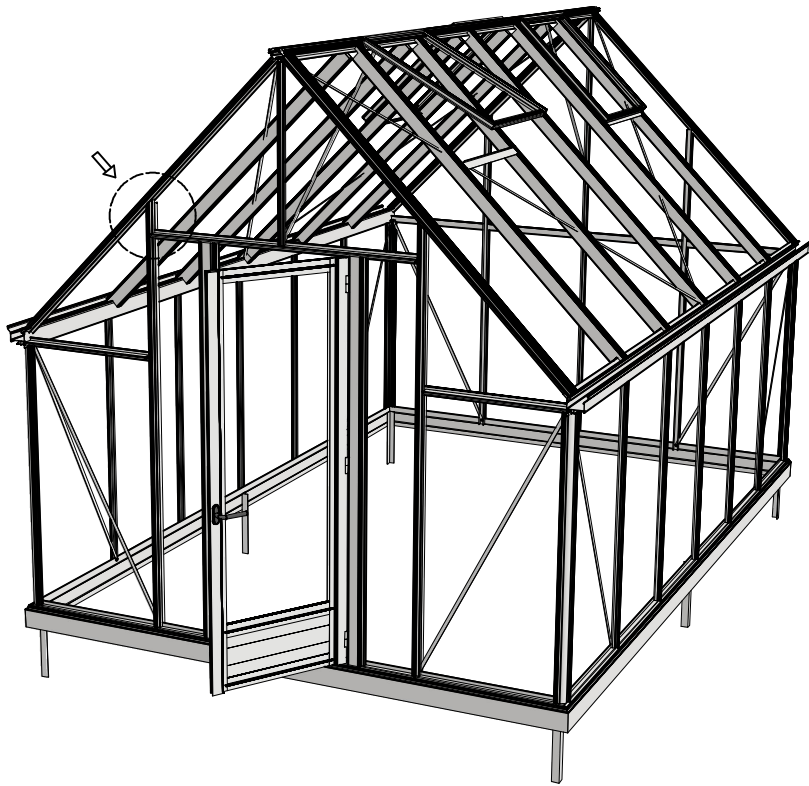


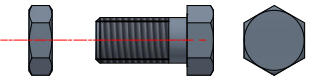
27

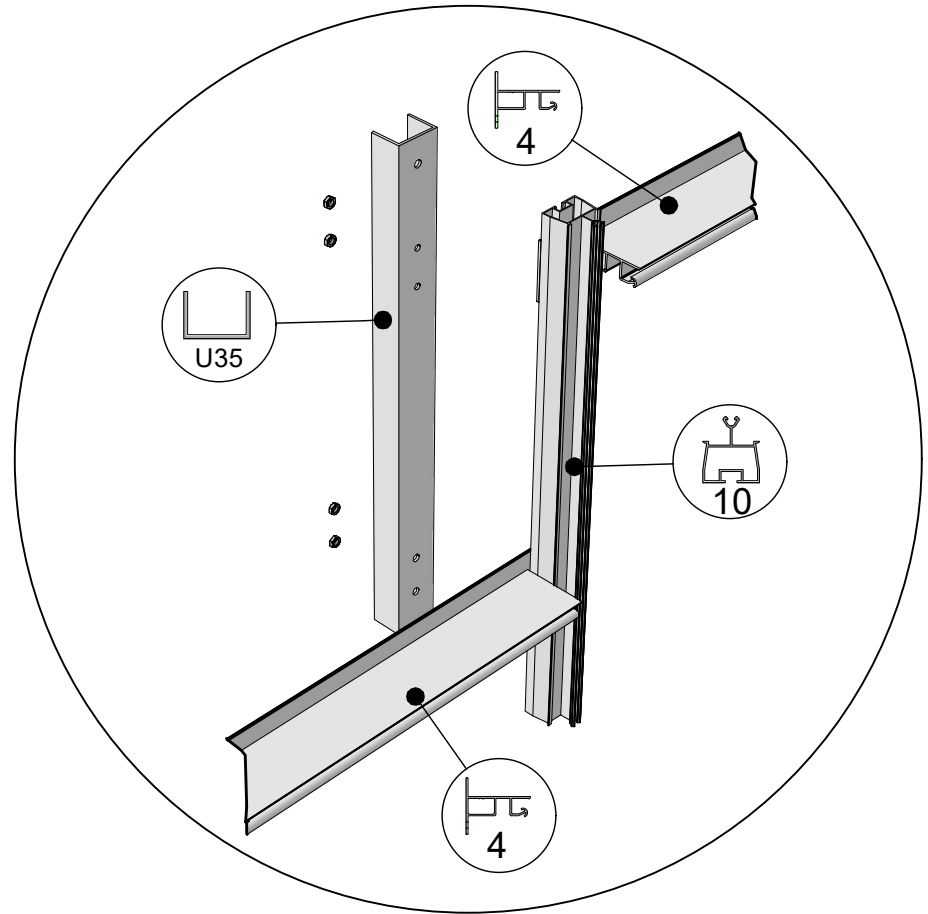
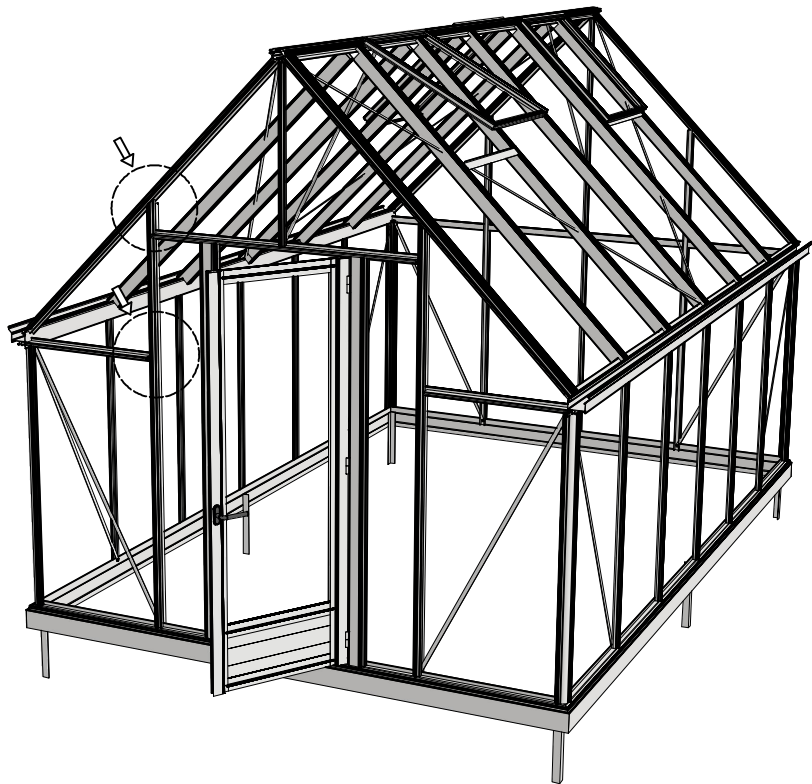
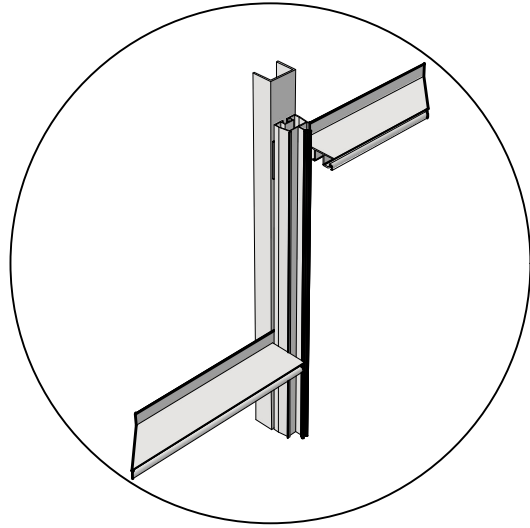
 = M6x12

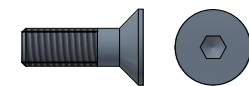


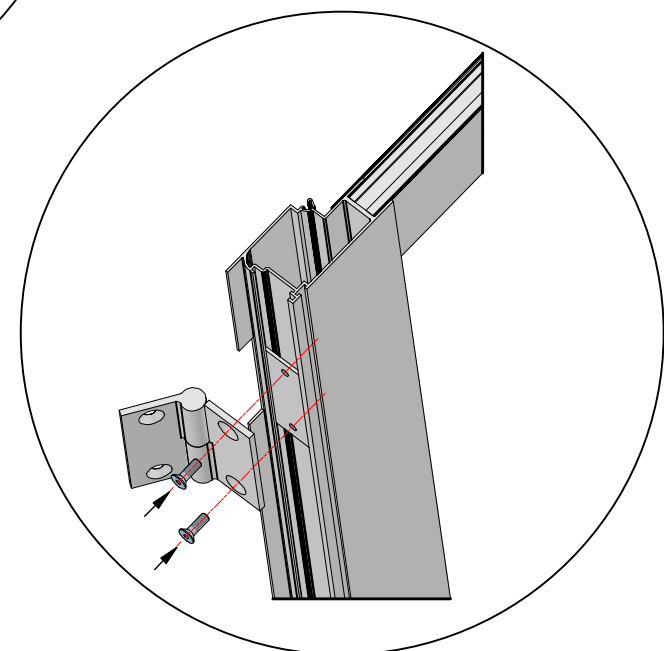
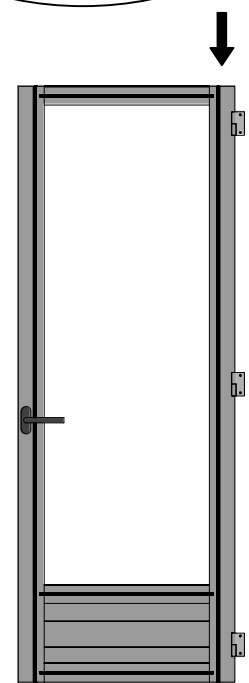
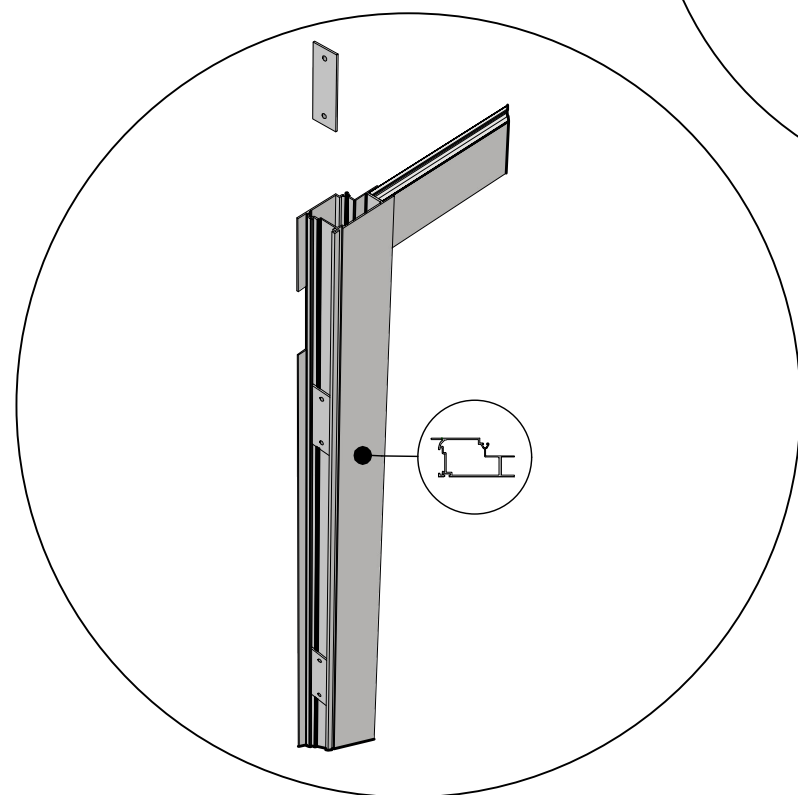
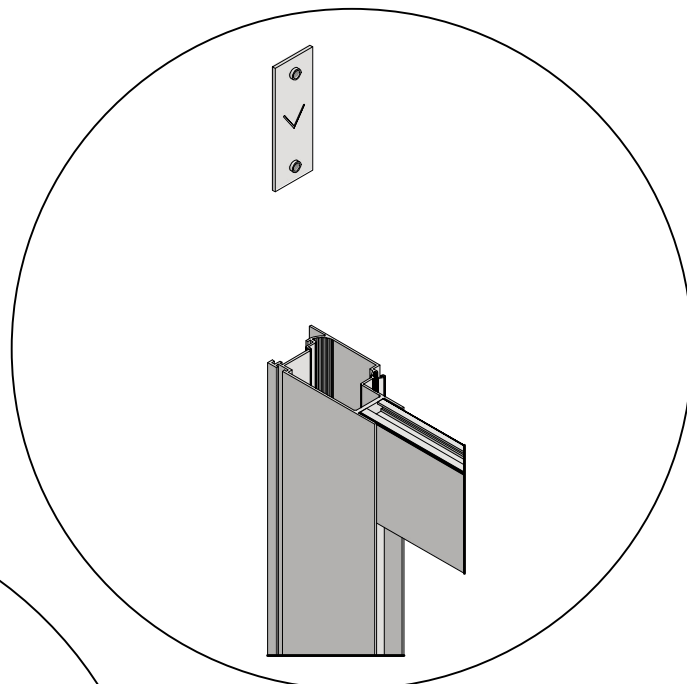
 = M6x12

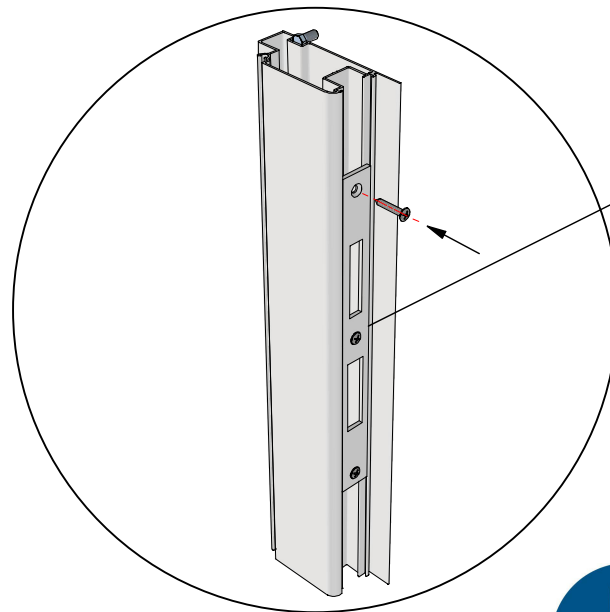
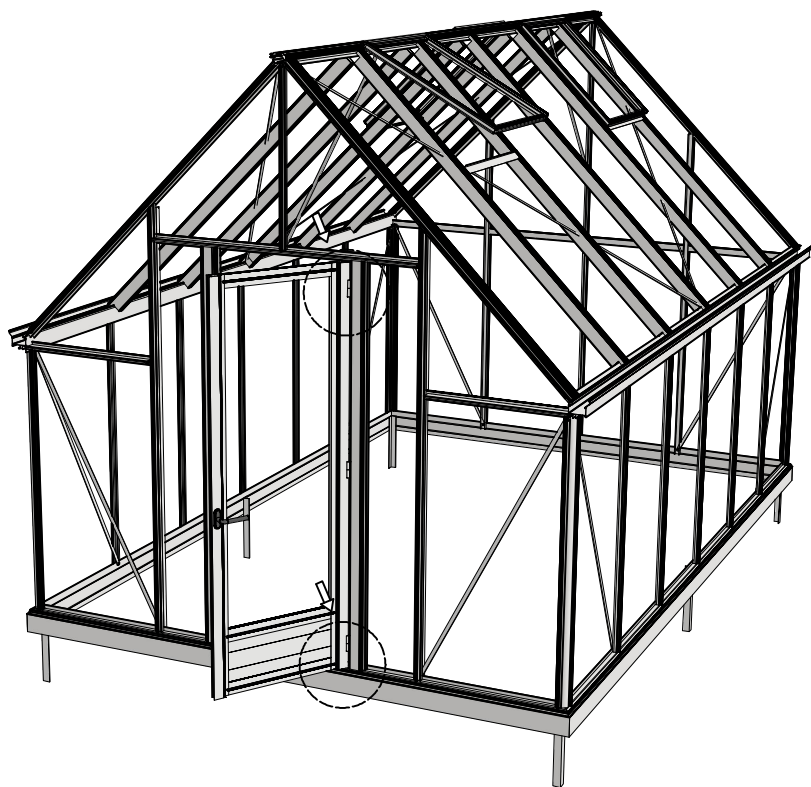
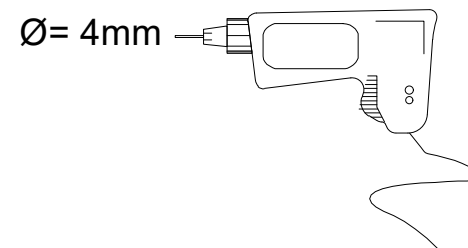
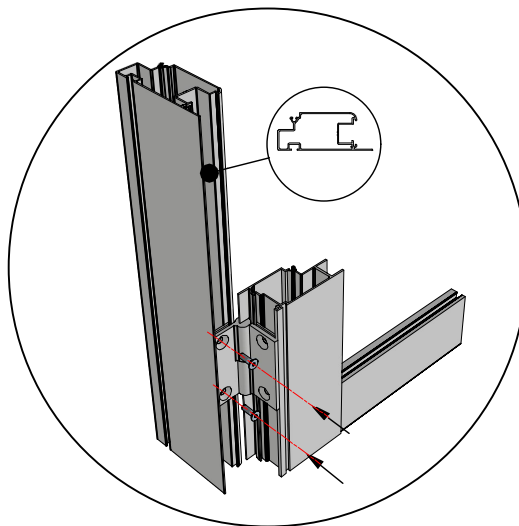
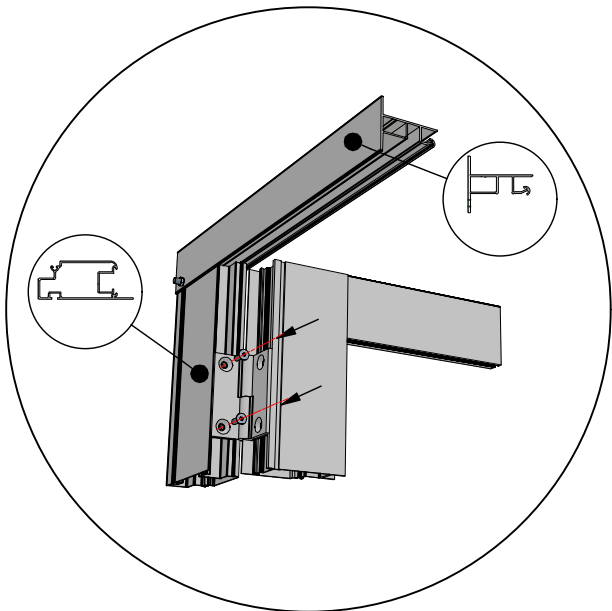


 = M6x12

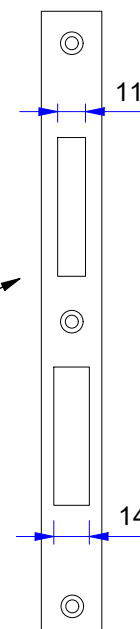


 = M6x10

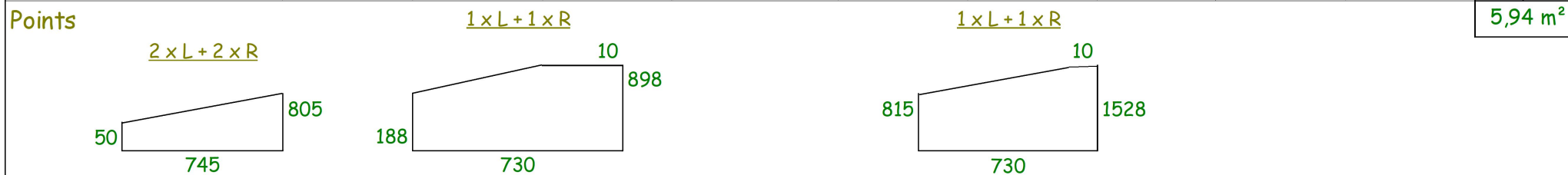




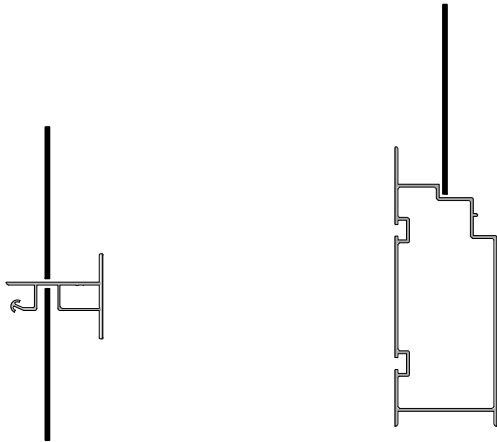
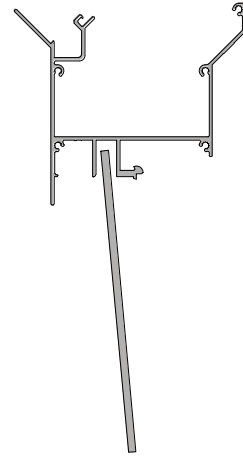
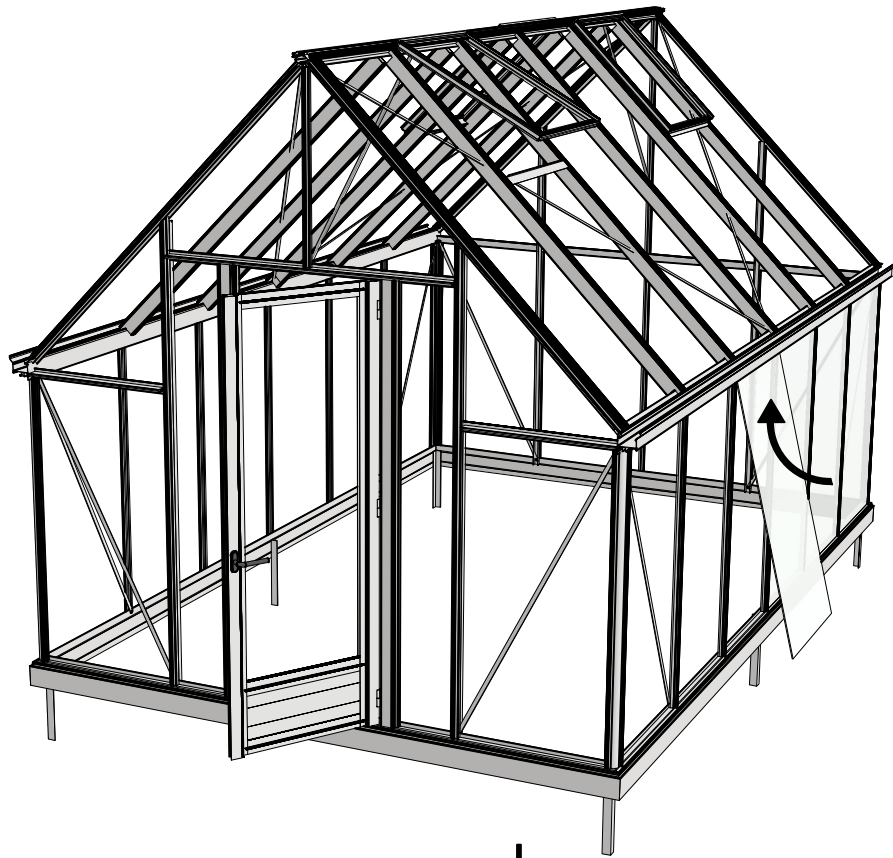
top

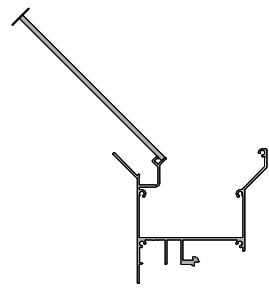
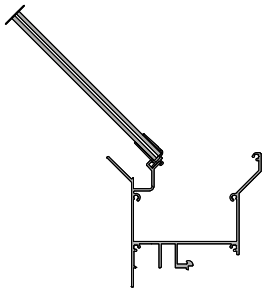
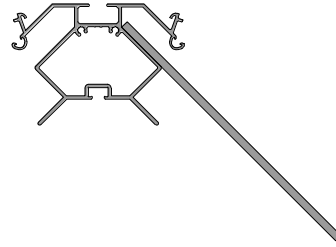


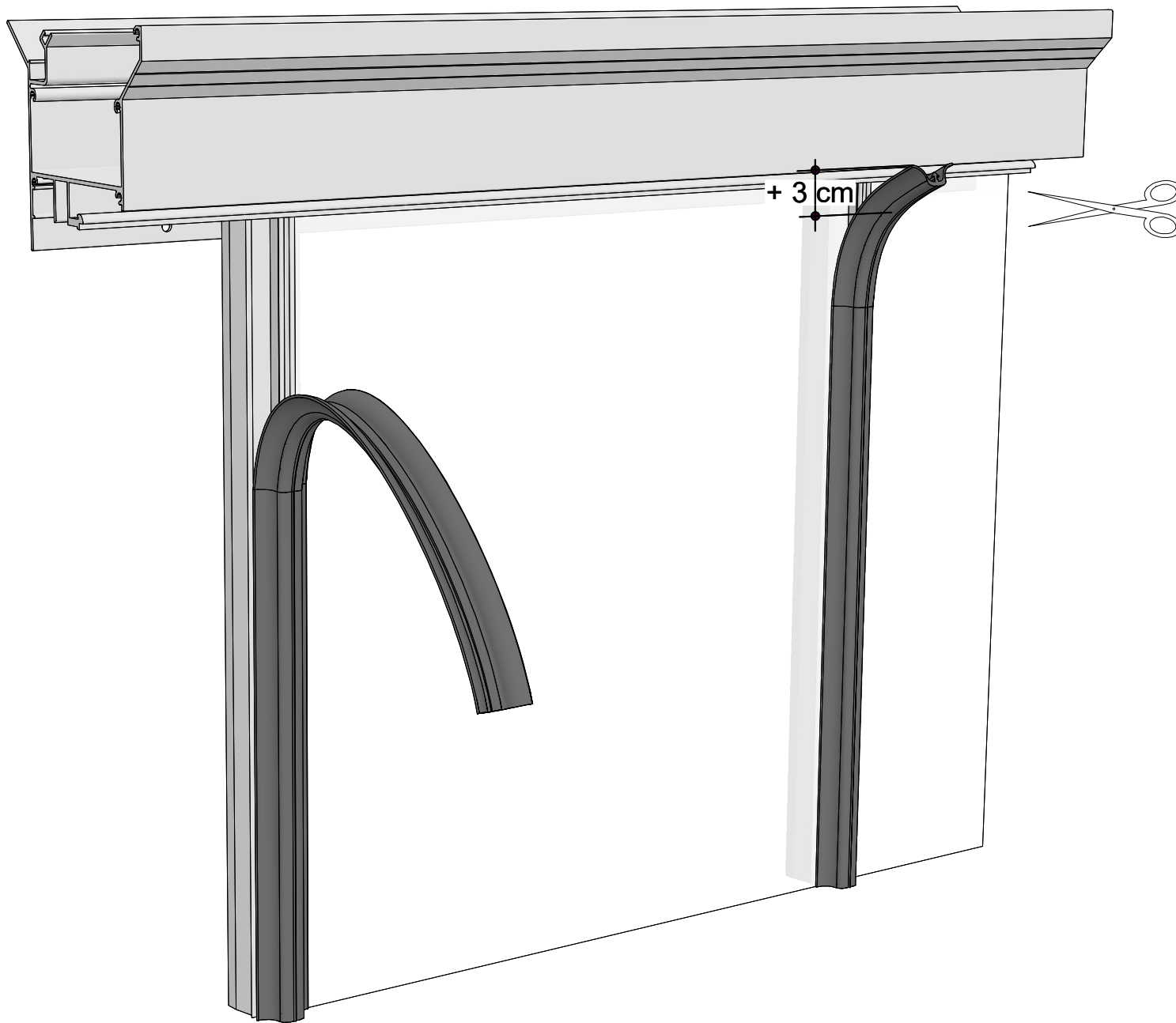
Glass Dimensions Nv Euro-serre		Euro-Rustic			3,09m			GlassH: 1450			
Glass Size 730mm	Sides		Single		Roof	Size Lenght x Wide		Poly		m ²	m ²
	1450 x 730	2080 x 290	1615 x 620		2110 x 730	1273 x 730	825 x 730	2110 x 730	1273 x 730		
Euro-Rustic 3,09m x 3,09m	14	2	1		6	2	2 or 2	6	2	17,0	12,3
Euro-Rustic 3,09m x 3,80m	16	2	1		8	2	2 or 2	8	2	19,1	15,4
Euro-Rustic 3,09m x 4,57m	18	2	1		9	3	3 or 3	9	3	21,3	18,5
Euro-Rustic 3,09m x 5,30m	20	2	1		11	3	3 or 3	11	3	23,4	21,5
Euro-Rustic 3,09m x 6,04m	22	2	1		12	4	4 or 4	12	4	25,5	24,6
										0,0	
										0,0	
										0,0	
										0,0	

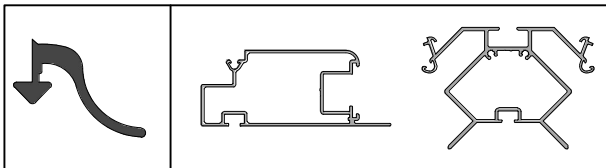
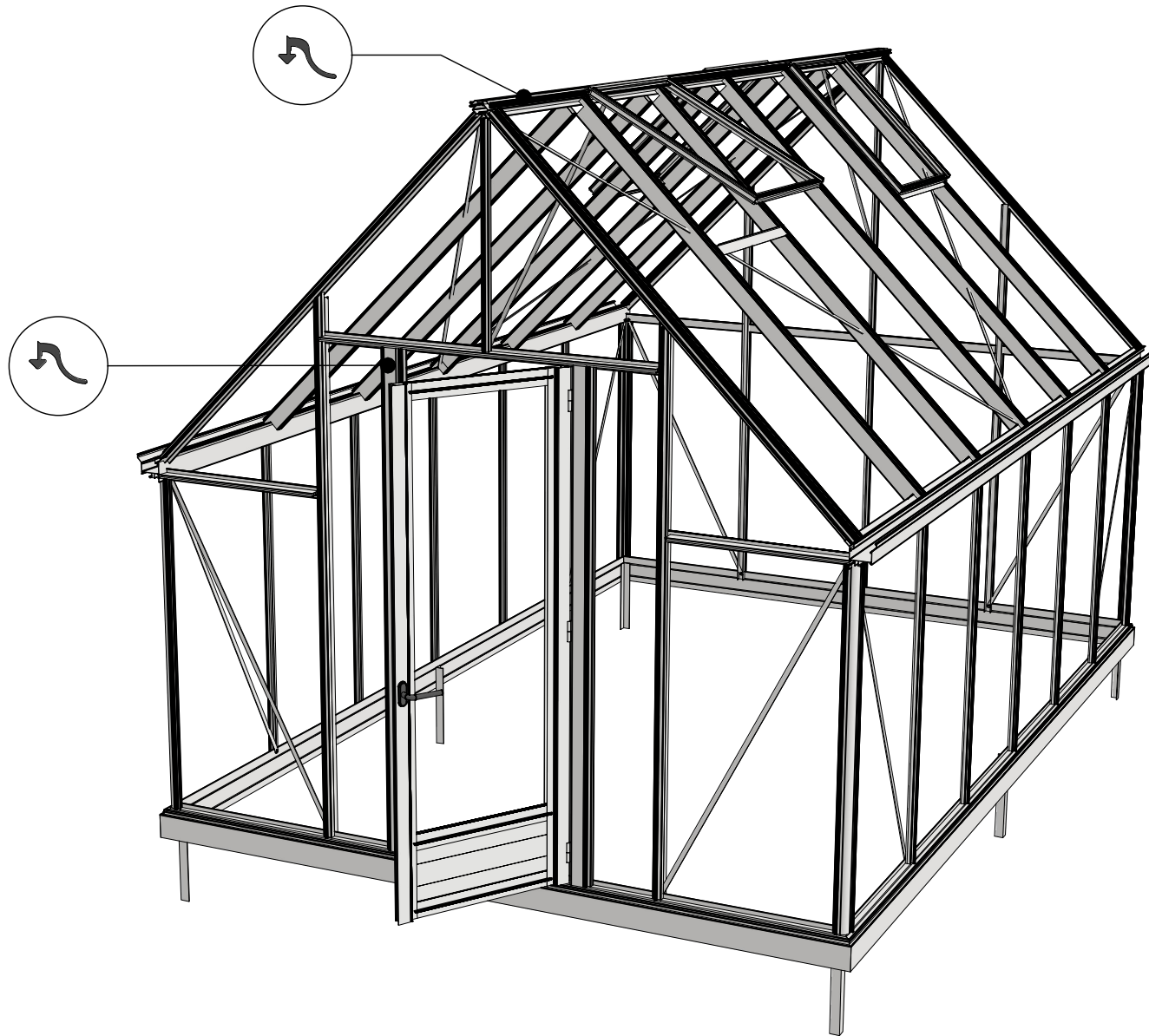


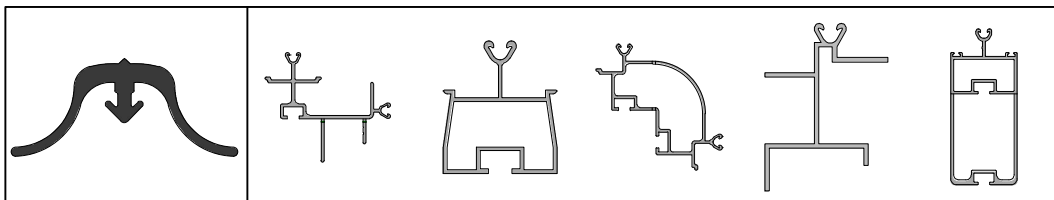
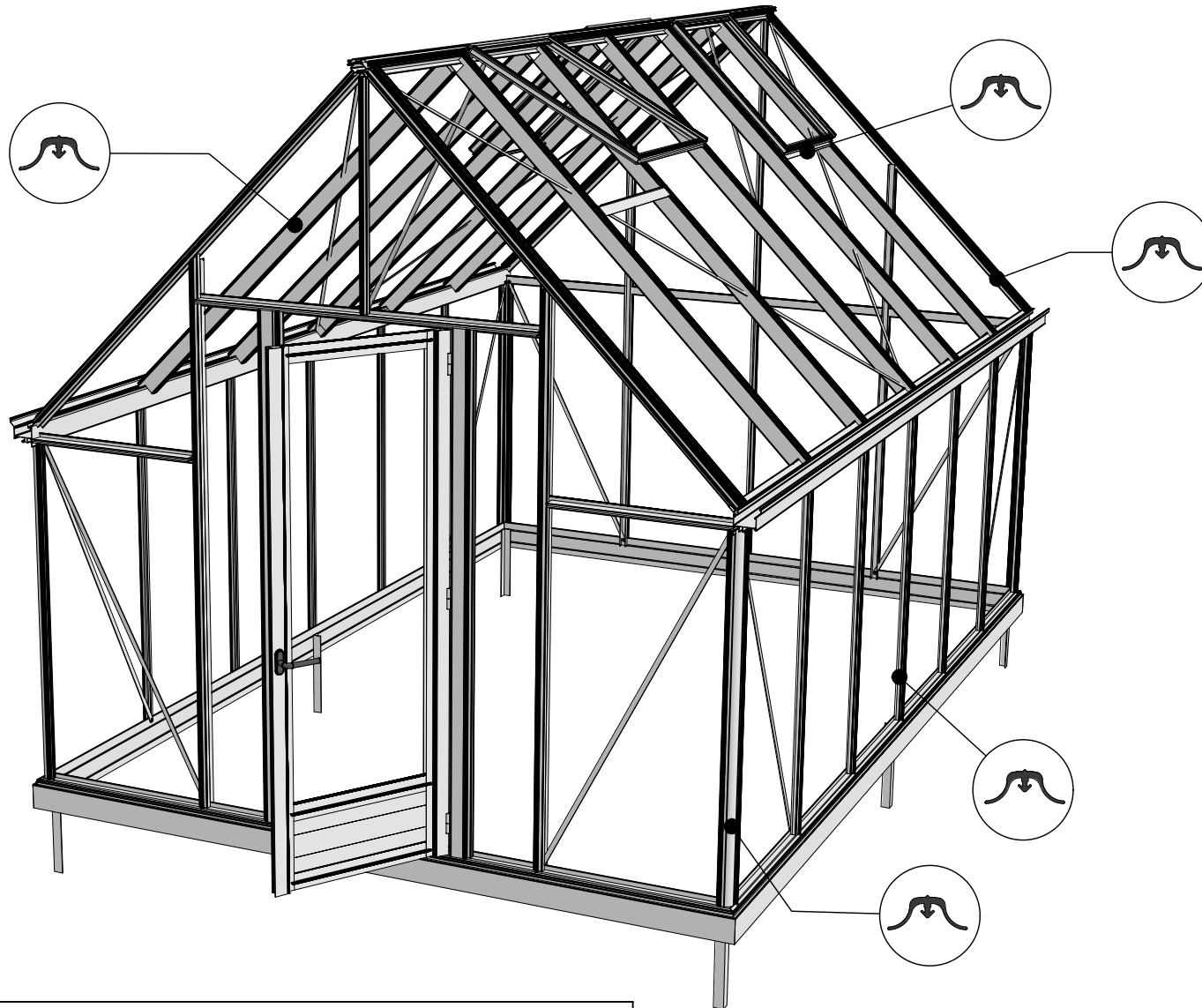
Opgemaakt op 29-06-2022



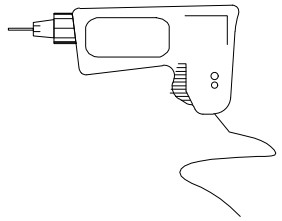


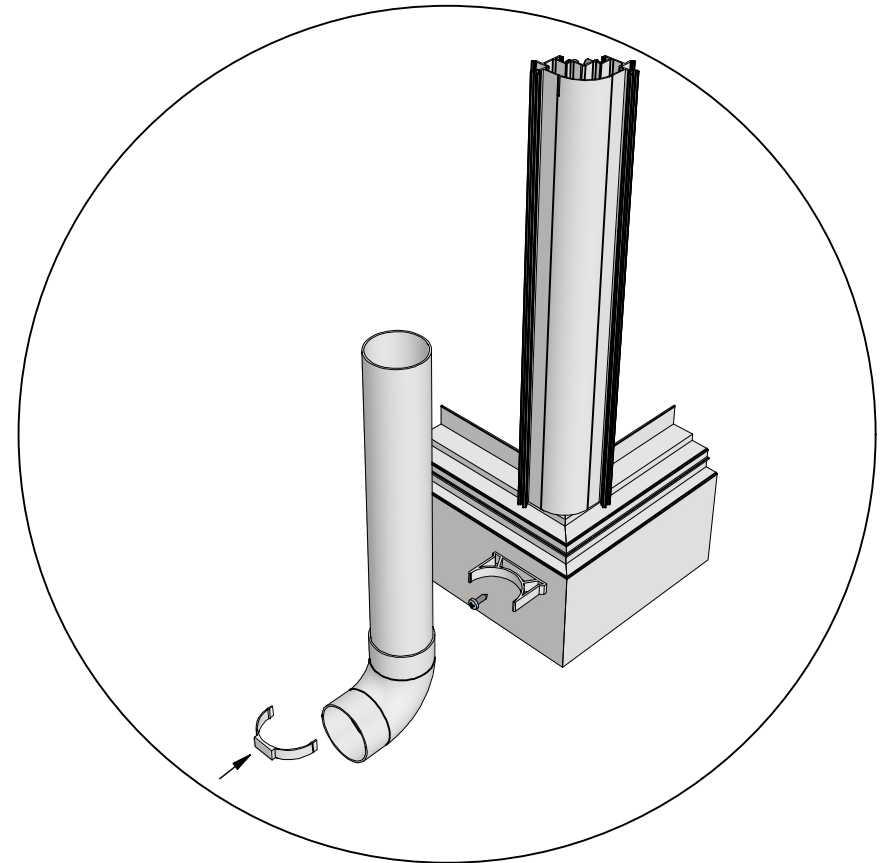
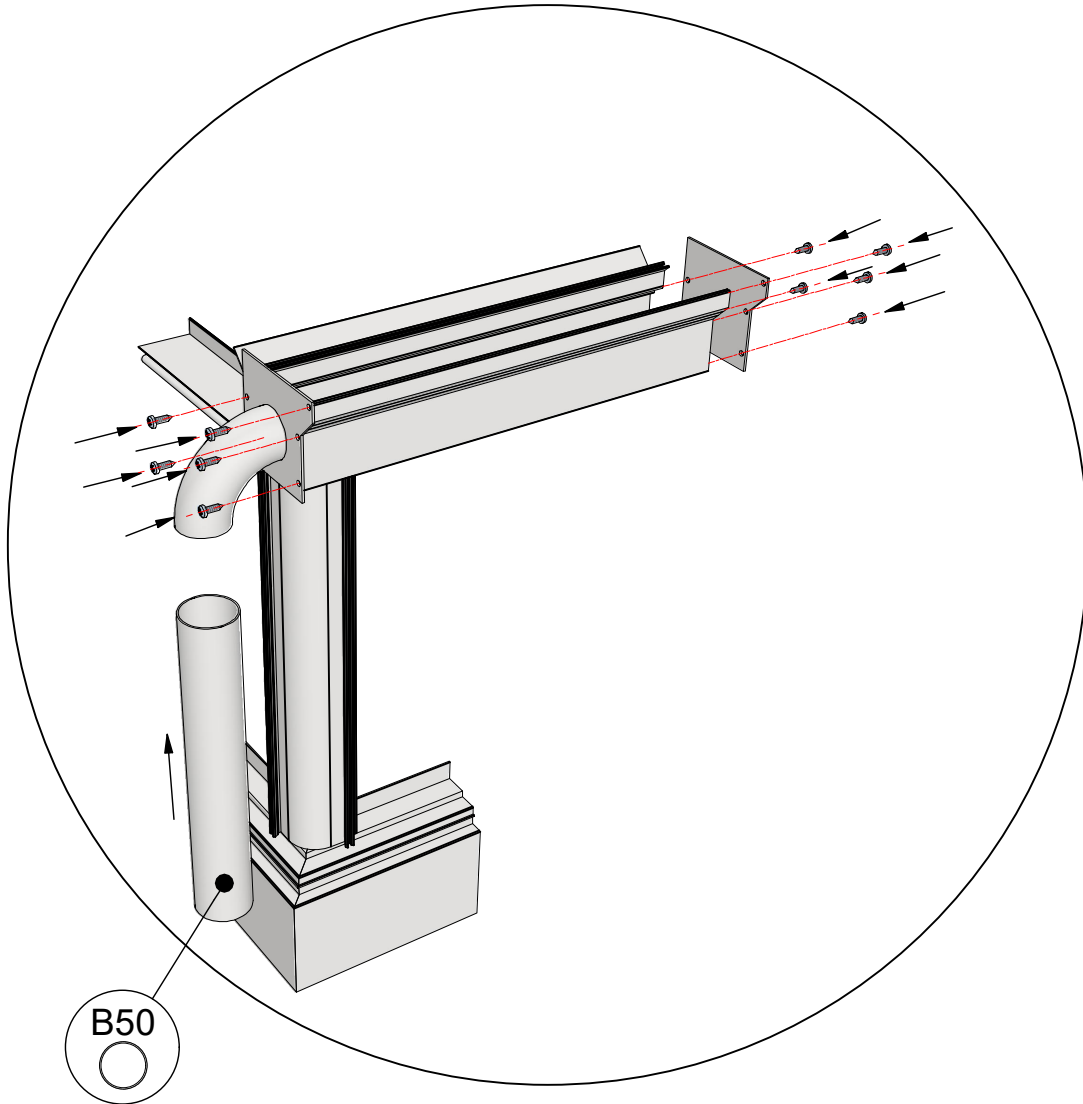






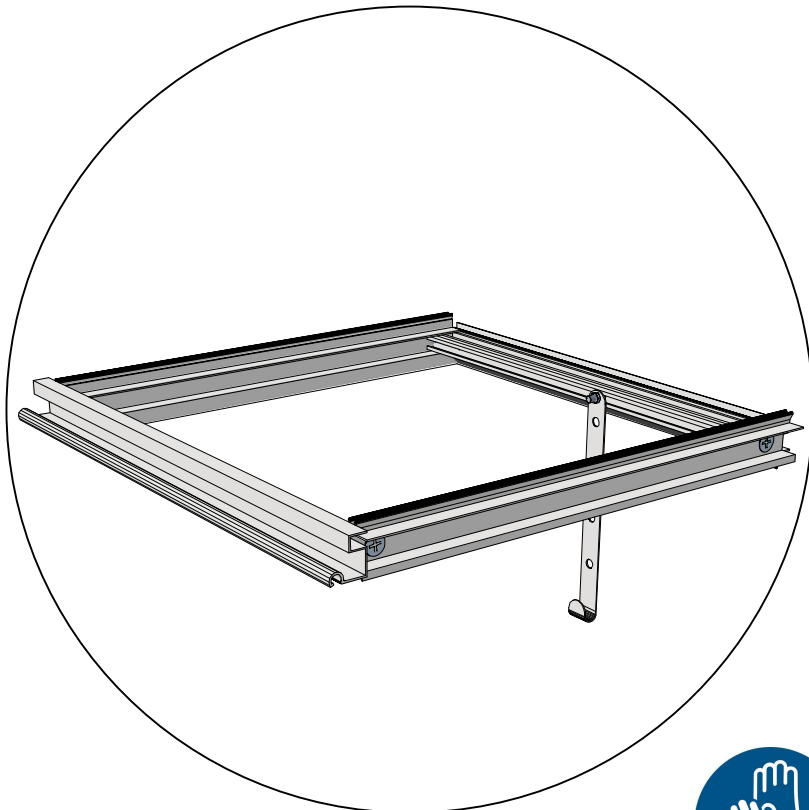
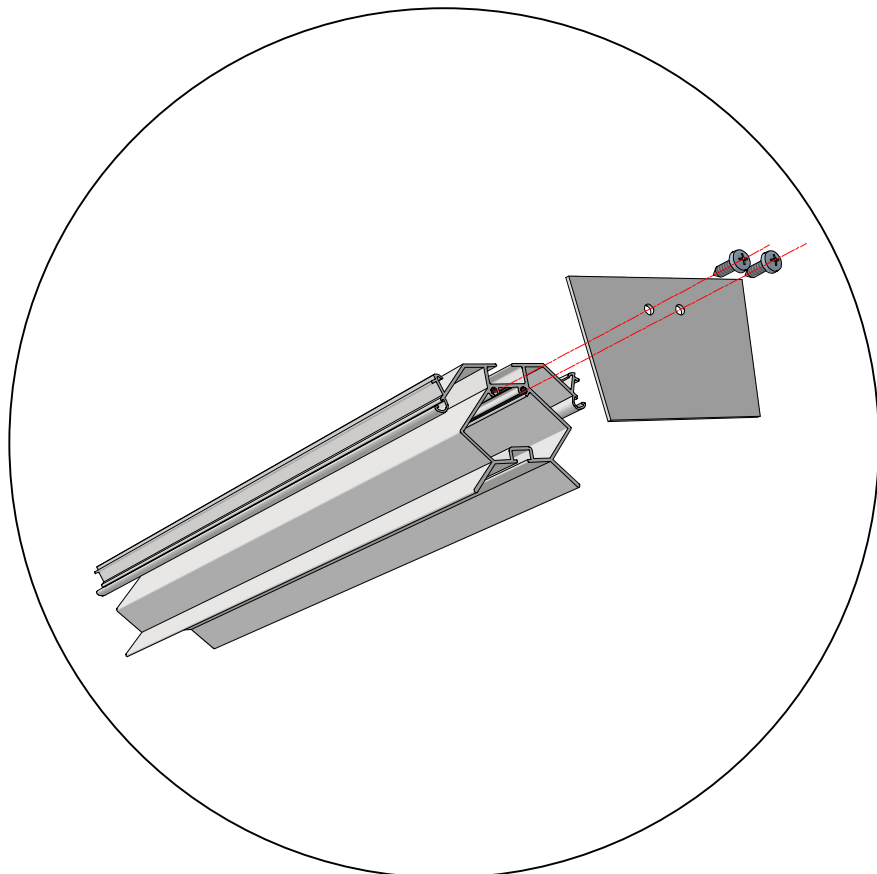
 = 4,8x16

$\varnothing = 4\text{mm}$ 





= 4,8x16



40



Geleenlaan 1 - 3600 Genk

ref: Rustiq-001 Rev. 05.10.2023

OCBS - 1148-CPR-20231003-989 (€

EN 1090-1 EXC 1

Euro-Rustiq

www.euroserre.com/cecertificaten