

SILUET 50



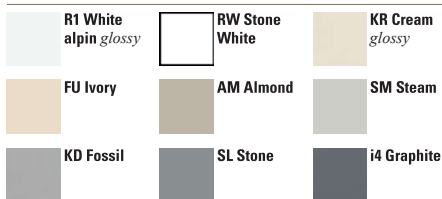
- **The sink is reversible**
- For surface-mounted installation
- Minimum width of undersink cabinet: 50 cm
- Steamer container 1/3 compatible with salad basket
- **Material: TitanCeram**
- Compatible with all soap dispensers on page 93
- Further selection of cover caps for turn lever on page 97



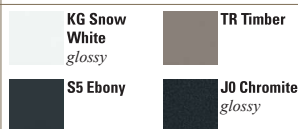
BUILT-IN SINKS

Ref.	Description (for XX, please enter colour number)	€ excl. VAT	
		Classicline	Premiumline
3335 01 XX	Sink inclusive Waste system, hand-operated	988,00	1.113,00
3335 02 XX	Sink inclusive Waste system, pop-up	1.085,00	1.210,00

Classicline CeramicPlus



Premiumline CeramicPlus

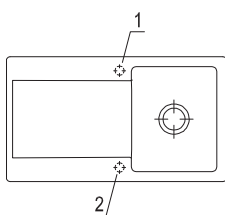


Ref.	Optional accessories / spare parts	€ excl. VAT
9K11 00 K1	Salad basket, stainless steel	210,-
9K08 00 K1	Rolling mat, stainless steel	118,-
8K36 10 00	Universal cutting board walnut	178,-
8299 06 K1	Steamer container 1/3, Stainless steel	49,-
9624 15 LC	Cap waste cover, stainless steel	37,-
9K13 00 LC	Folding draining rack, you will find more colours on page 96	132,-
8276 00 61	Waste system hand-operated, chrome	68,-
8286 10 00	Waste system pop-up without Cover cap	165,-



View of holes for tap fittings

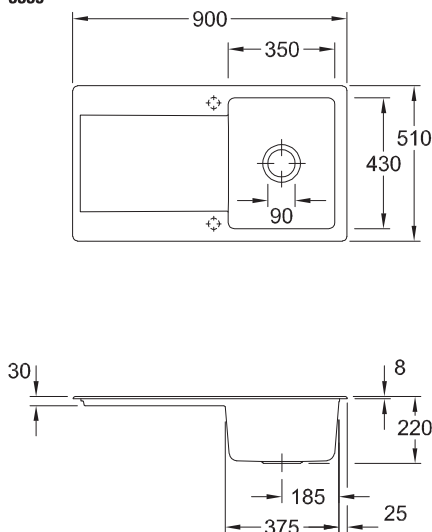
3335



When ordering, please specify the tap hole you would like us to drill for you, by using tap hole reference number (see page 5).
Diameter: ca. 35 mm
Additional charge: 9,00 €/model.

Engineering data

3335



Please refer to the assembly instructions
Required size of worktop : 87 x 48 cm

All dimensions in mm