

Quality management system (QMS)  
of LLC «Volya» is certified  
for compliance with  
standard of  
ISO 9001:2008



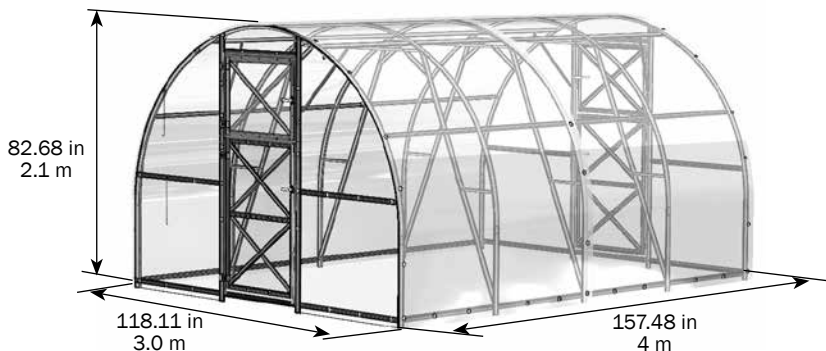
Certified by  
Russian Registry



# DACHNAYA TRYOSHKA

model 2020

cellular polycarbonate greenhouse



**Technical certificate**

page  
2-9

**Assembly manual**

page  
10-40

EN

**! Perform assembling and operation of the greenhouse in strict accordance with the manual and operating rules stated in the technical certificate. Please keep this technical certificate for further reference.**

**Description**

Dachnaya Tryoshka greenhouse is designed for creation microclimate favorable for growing garden crops on cottage and household plots.

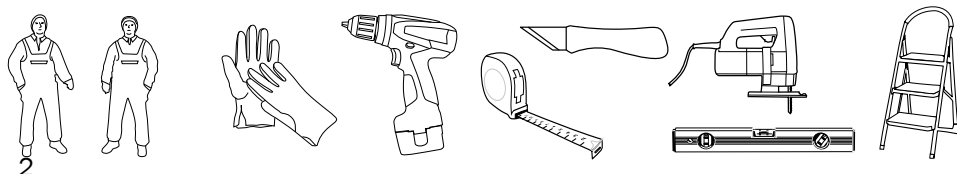
Greenhouse might have variable length depending on customers' desire. Required length of greenhouse is provided by purchasing of packages with extending inserts. Each insert add 78.74 in (2 m) to base length. Base length is 157.48 in (4 m). Height of installed frame is 82.68 in (2.1 m).

The frame of the greenhouse is made of galvanized iron and is to be assembled with screws and nuts. Greenhouse is fixed on the ground by digging special frame endings or on fundament using angles. Complete set includes all that is needed for fastening of coverage. Greenhouse may be completed with coverage on buyer's request. Greenhouse has two door openings and two small windows in opposite ends.

Greenhouse base requires 3 sheets of cellular polycarbonate 82.68x236.22 in (2.1x6 m) with 0.16-0.24 in (4-6 mm) thickness. For each Inserts - 1 sheet of cellular polycarbonate 82.68x236.22 in (2.1x6 m).

greenhouse length (in/m)	covered area (sqft/m <sup>2</sup> )	polycarbonate sheets 82.68x236.22 in (2.1 m x 6 m), pcs.
<b>157.48 in 4 m</b>	<b>129.17 sqft 12 m<sup>2</sup></b>	<b>3</b>
<b>236.22 in 6 m</b>	<b>193.75 sqft 18 m<sup>2</sup></b>	<b>4</b>
<b>314.96 in 8 m</b>	<b>258.33 sqft 24 m<sup>2</sup></b>	<b>5</b>

greenhouse length (in / m)	BASE					INSERT	
	package number					package number	
	№1	№2	№3	№4	№5	№1	№2
<b>157.48 in 4 m</b>						-	-
<b>236.22 in 6 m</b>	+	+	+	+	+	+	
<b>314.96 in 8 m</b>						++	++



**Operation rules**

Before the start of operation, the greenhouse should be assembled and installed as prescribed in the manual. When the greenhouse is assembled by a third party the customer should supervise the quality of works to ensure compliance with the present manual. Some detail have extra holes due to uniformity of details. During assembly, be careful not to damage the parts, because until they assembled fully, they do not have sufficient rigidity. Use supports (e.g., chairs) at intermediate stages of assembly to evenly raise the assembled frame. To align the holes in difficult joints use a nail with a diameter of 0.16 in (4mm) or mandrel with a conical end. During assembly of the frame details' connections should be Implemented for all specified openings. Simplified connection of the parts is a violation of assembly rules and cause of removal warranty support by manufacturer.

Do not install the greenhouse too close to buildings or trees where masses of snow/ice can fall on it. Recommended distance is at least 78.74 in (2 m). The greenhouse is designed to withstand wind at the speed below 53.7 mph (24 m/s). The greenhouse cladding should not be removed for the winter period if snow load is limited. If the greenhouse is left unattended for the entire winter the customer should either remove the cladding or estimate the possible snow load. For the frame assembled with all parts including strainers and braces, the maximal snow load begins when the layer of snow weight is 180 kg per 1 sqm (36.87 psf) of horizontal surface which corresponds to 5.72 ft (45 cm) of the packed snow.

**Cleaning and washing sheets of polycarbonate**

1. Rinse the sheet with warm water.
2. Wash the sheet with a solution of mild soap or with a household detergent and warm water, using a soft rag or a sponge to remove dirt.
3. Rinse with cold water and wipe with a soft cloth.

Never use abrasives or highly alkaline cleaning compositions for cleaning polycarbonate sheets. Dry rubbing of the surface will damage the protective layer of the cladding and shorten its shelf life. Never rub the surface of polycarbonate sheets with brushes, metallic cloth or other abrasive materials.

When disinfecting the greenhouse from pathogens causing fungal and bacterial diseases, do not use «sulfur blocks» to avoid frame corrosion.

**Warranty liabilities**

Term for making claims is 24 months from the day of purchase.

Warranty does not apply to cases of:

1. Greenhouse installation in violation of instruction requirements
2. Violation of the rules of operation.
3. Inappropriate use of the greenhouse.
4. Deformation of the greenhouse as a result of ground movement.
5. Floods, hurricanes and other natural disasters.

Production date














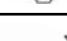

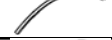








Manufacturer: Volya LLC













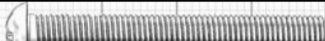
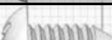



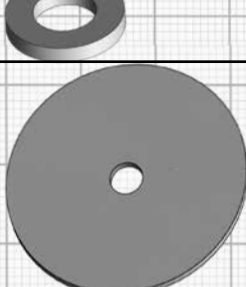
8 Severnyi Pereulok, Dubna, Moscow Oblast 141983






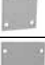












Manufacturer is responsible for quality of products in accordance with RF Civil Code.

Manufacturer reserves right to change design of greenhouse










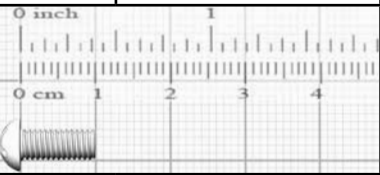

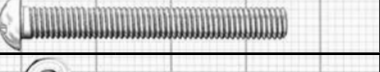

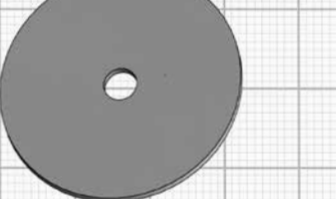


**STANDARD SUPPLY SET**

No	marking	view	denomination	length, in (m)	q-ty, pcs
<b>1 PACKAGE</b>					
1	<b>2</b>		Balk	37.8 in (0.96m)	16
2	<b>3</b>		Support	5.51 in (0.14m)	14
3	<b>8</b>		End wall connecting bar	40.95 in (1.04m)	4
4	<b>10</b>		Doorway tie	32.29 in (0.82m)	4
5	<b>11</b>		Butt end right strainer	40.16 in (1.02m)	2
6	<b>11-1</b>		Butt end left strainer	40.16 in (1.02m)	2
7	<b>12</b>		Door vertical element	46.06 in (1.17m)	2
8	<b>12-1</b>		Door vertical element for hinges	46.06 in (1.17m)	2
9	<b>12-2</b>		Door horizontal element	27.95 in (0.71m)	6
10	<b>13</b>		Window vertical element	23.62 in (0.6m)	2
11	<b>13-1</b>		Window vertical element for hinges	23.62 in (0.6m)	2
12	<b>13-2</b>		Window horizontal element	27.95 in (0.71m)	4
13	<b>14</b>		Small door/window diagonal	33.86 in (0.86m)	6
14	<b>15</b>		Large door/window diagonal	35.43 in (0.9m)	6
15	-		Hook for door and small windows	13.78 in (0.35m)	4
<b>2 PACKAGE</b>					
16	<b>4H</b>		Bottom arc	63.78 in (1.62m)	6
17	<b>4B</b>		Upper arch	63.78 in (1.62m)	3
18	<b>4BK</b>		Upper end wall arch	63.78 in (1.62m)	2
19	<b>4HK</b>		Lower end wall arch right	63.78 in (1.62m)	2
20	<b>4HK-1</b>		Lower end wall arch left	63.78 in (1.62m)	2
<b>3 PACKAGE</b>					
21	<b>1</b>		Stand	36.22 in (0.92m)	10
22	<b>2B</b>		Top balk	37.8 in (0.96m)	12
23	<b>9-1</b>		Bottom door opening stand	60.24 in (1.53m)	4
24	<b>9-2</b>		Right top door opening stand	33.47 in (0.85m)	2

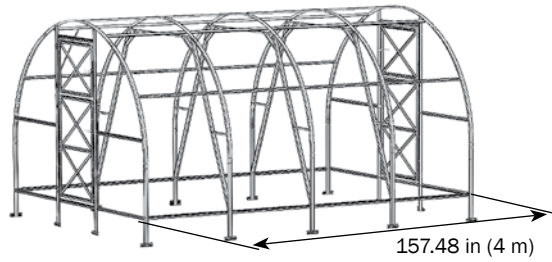
No	marking	view	denomination	length, in (m)	q-ty, pcs
25	<b>9-3</b>		Left top door opening stand	33.47 in (0.85m)	2
26	<b>17</b>		Upper strainer	55.12 in (1.4m)	3
27	<b>18</b>		Upper brace	43.31 in (1.1m)	6
28	<b>19</b>		Bottom brace	38.98 in (0.99m)	6
29	<b>20</b>		Brace	13.39 in (0.34m)	6
30	<b>21</b>		Reinforcement	13.78 in (0.35m)	6
31	-		End amplifier	23.62 in (0.6m)	4
<b>4 PACKAGE</b>					
32			M5x10 screw		48
33			M4x10 screw		474
34			M4x14 screw		68
35			M4x30 screw		104
36			M4x35 screw		72
37			M4x40 screw		8
38			Self screw		14
39			M4 nut		726
40			M5 nut		48
41			10 washer		4
42			32x4 washer		192

№	marking	view	denomination	length, in (m)	q-ty, pcs
43	-		Adhesive tape		1
44	-		Bracket		8
45	-		Bracket for the hook		8
46	-		Loops for doors and windows		8
47	-		Plate		4
48	-		Plate		8
49	-		Plate		8
50	-		Handle bushing		8
51	-		Latch		4
52	-		Handle kit		4
<b>5 PACKAGE</b>					
53	-		Butt end strip	236.22 in (6m)	2
<b>6 PACKAGE</b>					
6 package is not included in completion, it is supplied following the customer's request. Information about installing are on pages 38-40.					
54	<b>YT1</b>		Door lining	24.02 in (0.61m)	2
55	<b>YT2</b>		Door lining	23.23 in (0.59m)	2
56	<b>YT3</b>		Door lining	23.23 in (0.59m)	2
57	<b>YT4</b>		Door lining	24.02 in (0.61m)	2
58	<b>YT5</b>		Window lining	29.13 in (0.74m)	4
59	<b>YT6</b>		Window lining	26.38 in (0.67m)	2
60	<b>YT7</b>		Window lining	26.38 in (0.67m)	2

**EXTENSION INSERT KIT**

№	marking	view	denomination	length, in (m)	q-ty, pcs
<b>1 PACKAGE</b>					
1	<b>1</b>		Stand	36.22 in (0.92m)	4
2	<b>2</b>		Balk	37.8 in (0.96m)	8
3	<b>2B</b>		Top balk	37.8 in (0.96m)	6
4	<b>3</b>		Support	5.51 in (0.14m)	4
5	<b>17</b>		Upper strainer	55.12 in (1.4m)	2
6	<b>18</b>		Upper brace	43.31 in (1.1m)	4
7	<b>19</b>		Bottom brace	38.98 in (0.99m)	4
8	<b>20</b>		Brace	13.39 in (0.34m)	4
9	<b>21</b>		Reinforcement	13.78 in (0.35m)	4
10			M4x10 screw		164
11			M4x30 screw		8
12			M4x35 screw		14
13			M4 nut		186
14			32x4 washer		22
<b>2 PACKAGE</b>					
15	<b>4B</b>		Upper arch	63.78 in (1.62m)	2
16	<b>4H</b>		Bottom arc	63.78 in (1.62m)	4

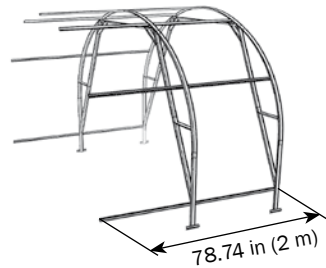
**General view of the frame, Dachnaya Tryoshka 2000 greenhouse**



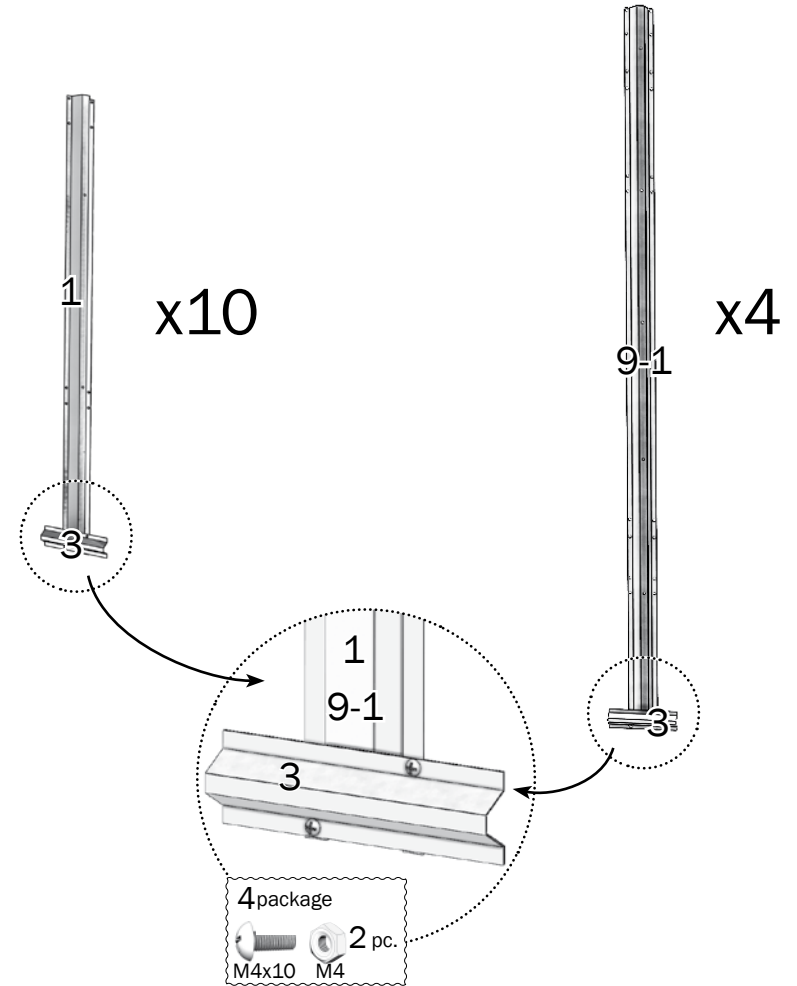
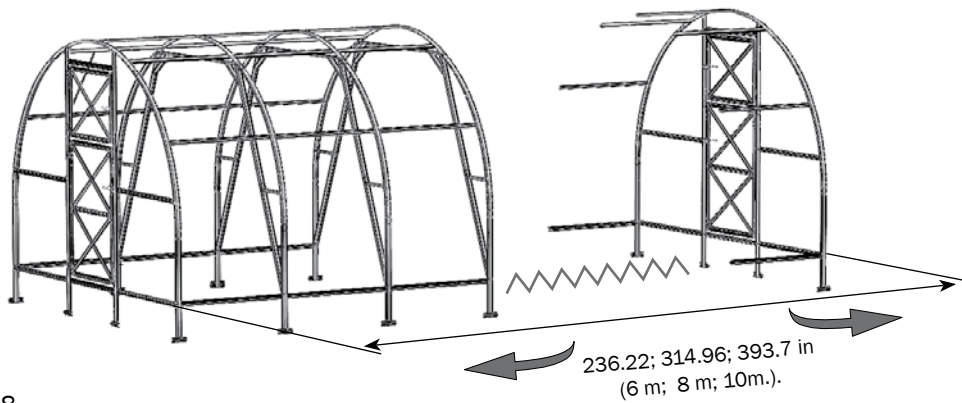
**1**

№21 3 package	№2 1 package	№23 3 package
1 pc.	1 pc.	1 pc.

**General view of the INSERT for Dachnaya Tryoshka 2000 greenhouse**

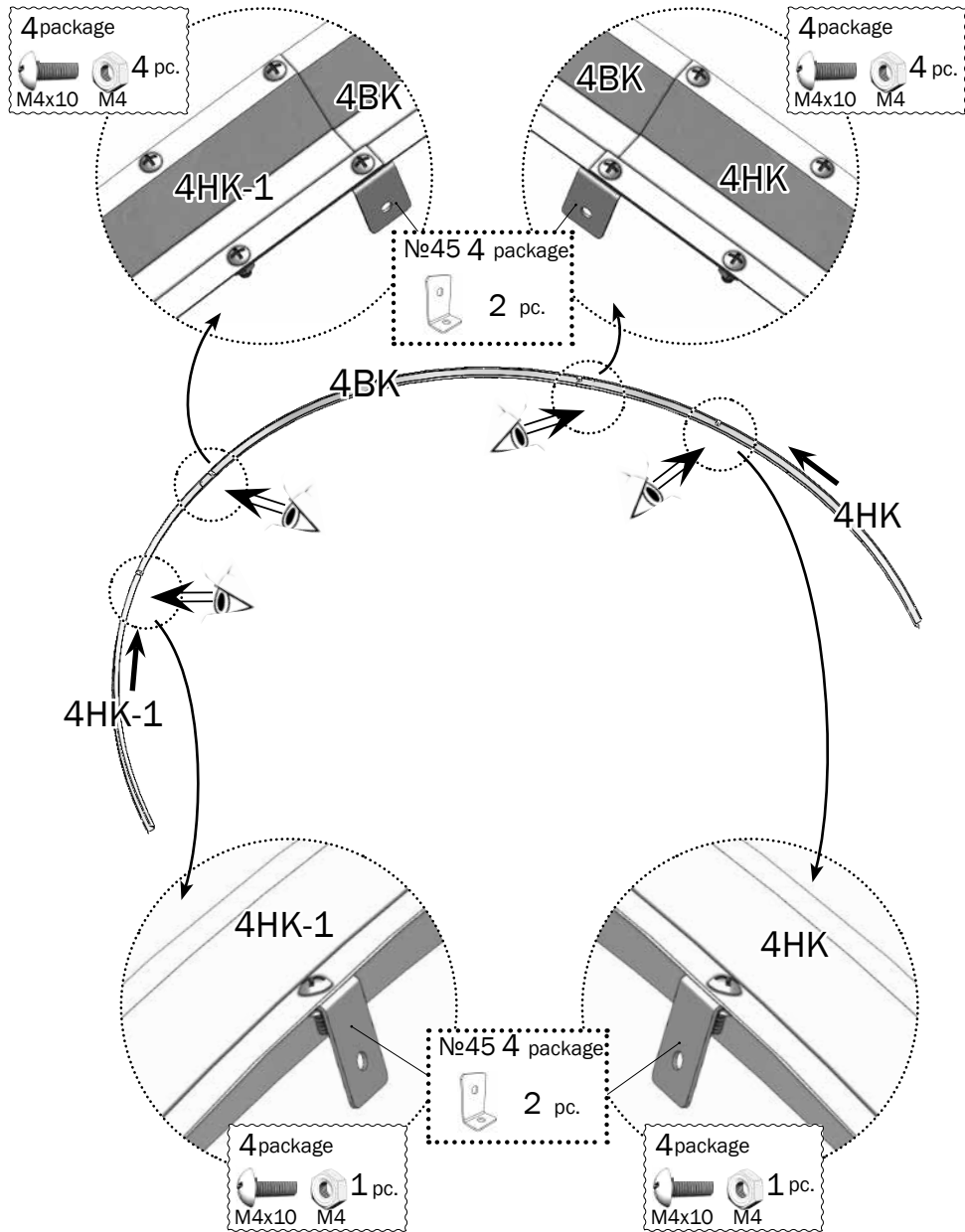


**Dachnaya Tryoshka 2000 extended by any number of inserts:**

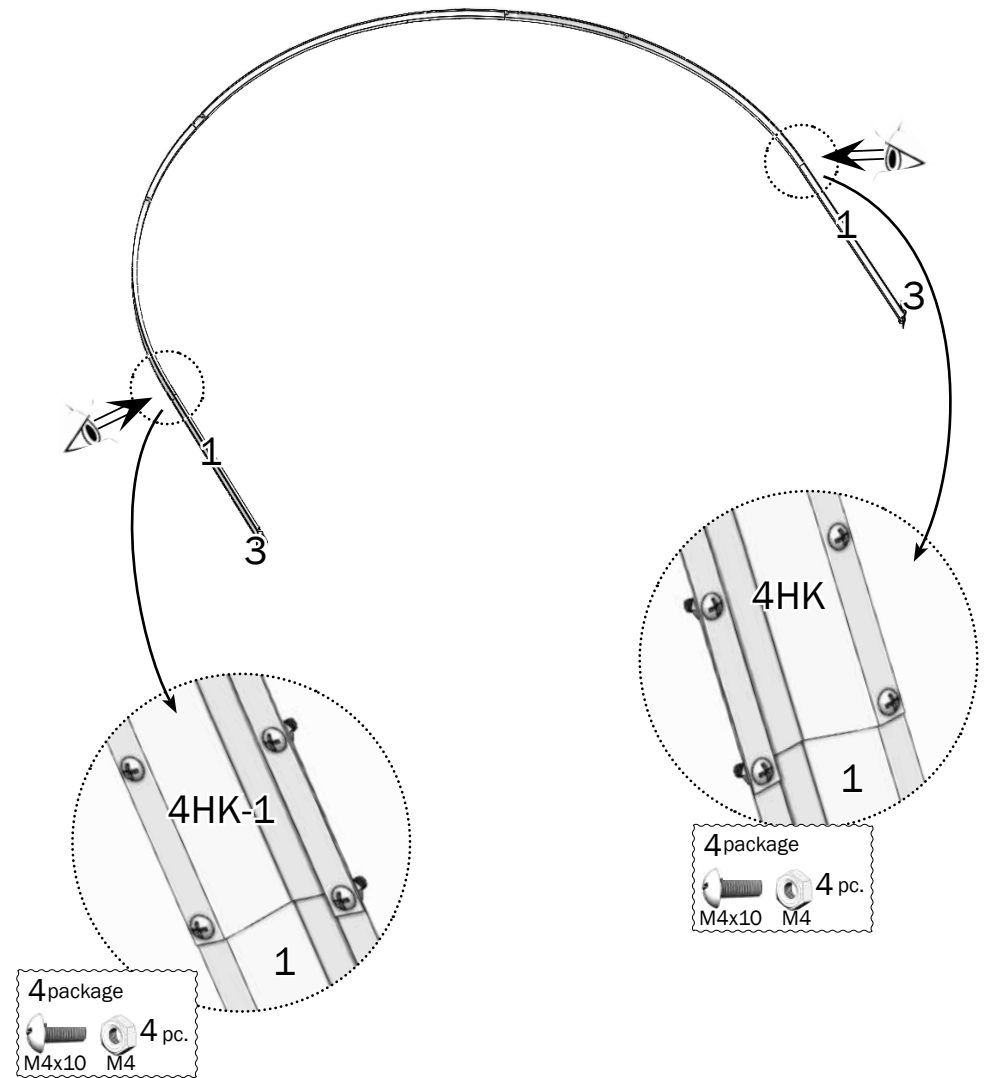


# 2.1

№18 2 package 4BK 1 pc.  
№19 2 package 4HK 1 pc.  
№20 2 package 4HK-1 1 pc.



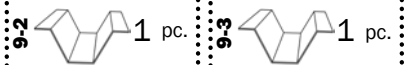
# 2.2





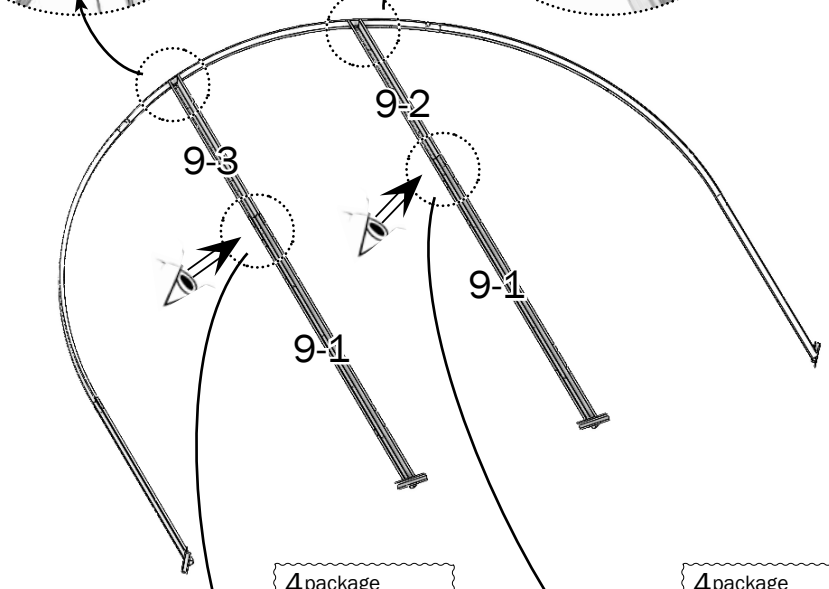
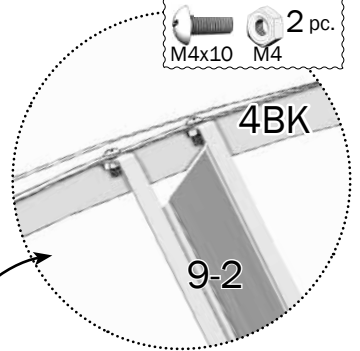
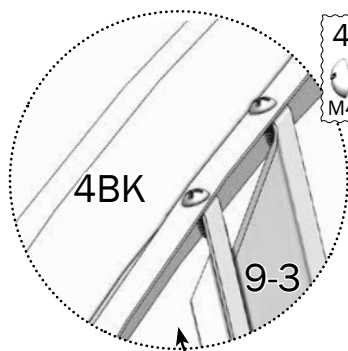
# 2.3

- №24 3 package
- №25 3 package



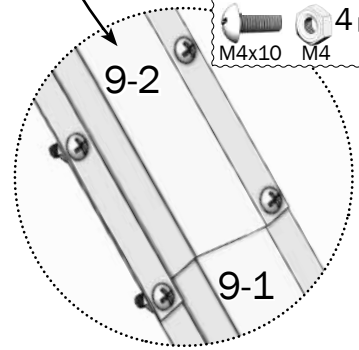
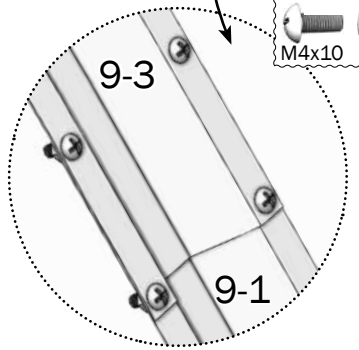
- 4package
- M4x10 M4 2 pc.

- 4package
- M4x10 M4 2 pc.



- 4package
- M4x10 M4 4 pc.

- 4package
- M4x10 M4 4 pc.



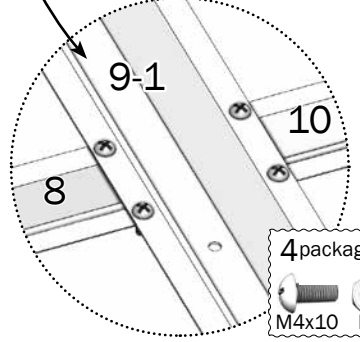
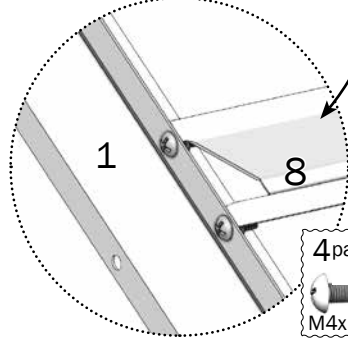
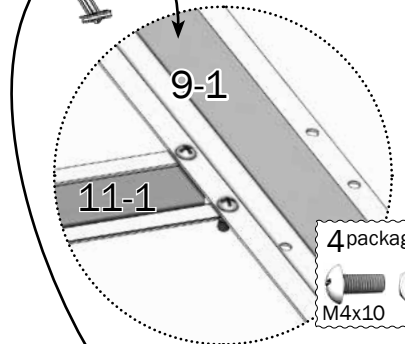
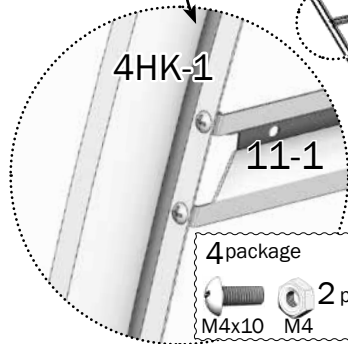
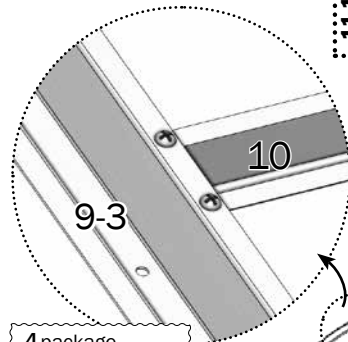
# 2.4

- №6 1 package
- №5 1 package
- №3 1 package



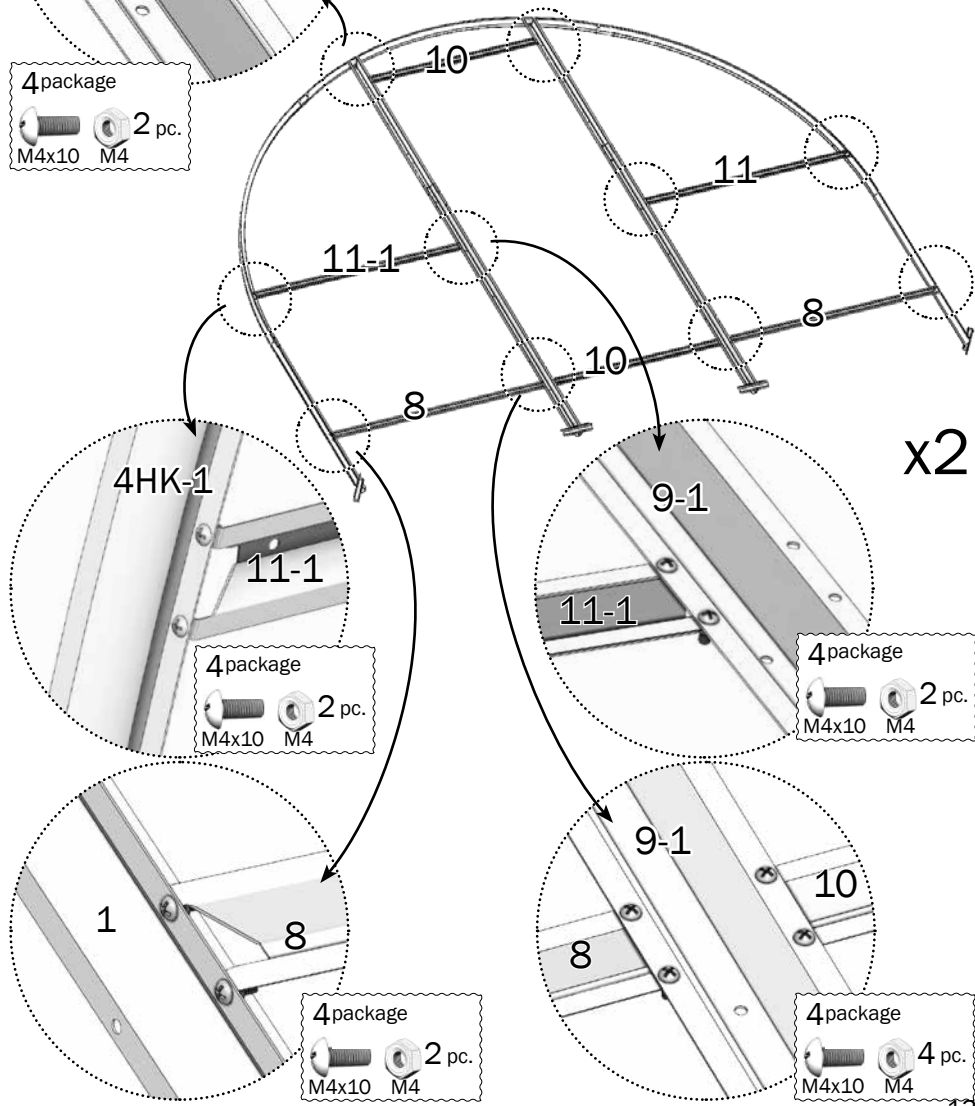
- №4 1 package
- №10 2 pc.

- 4package
- M4x10 M4 2 pc.



- 4package
- M4x10 M4 2 pc.

- 4package
- M4x10 M4 4 pc.

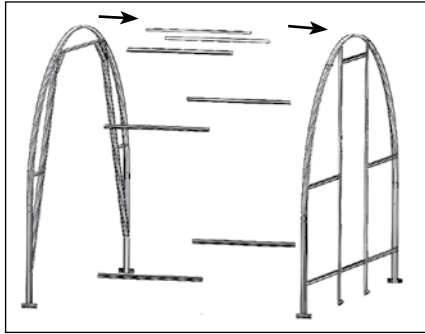


x2

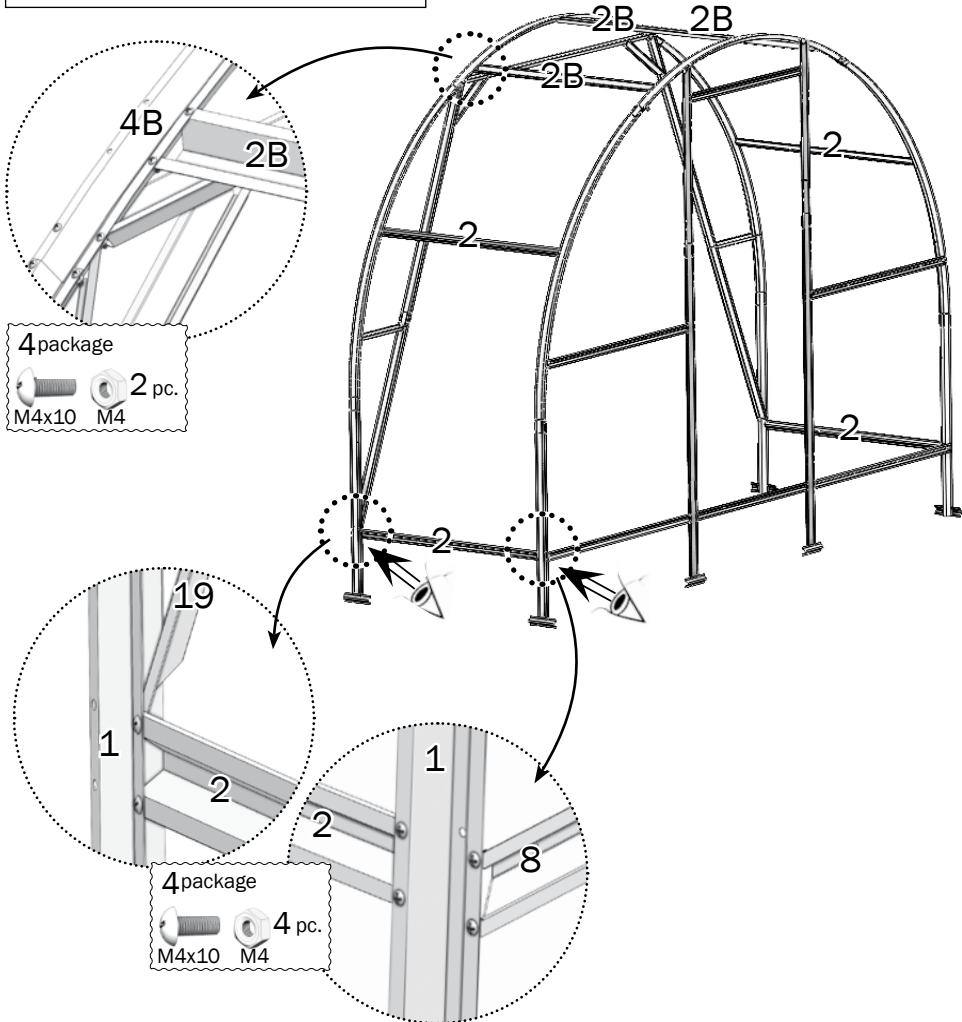




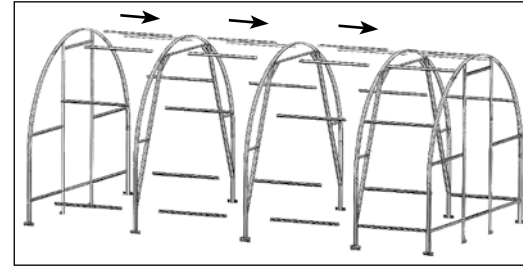
# 4.1



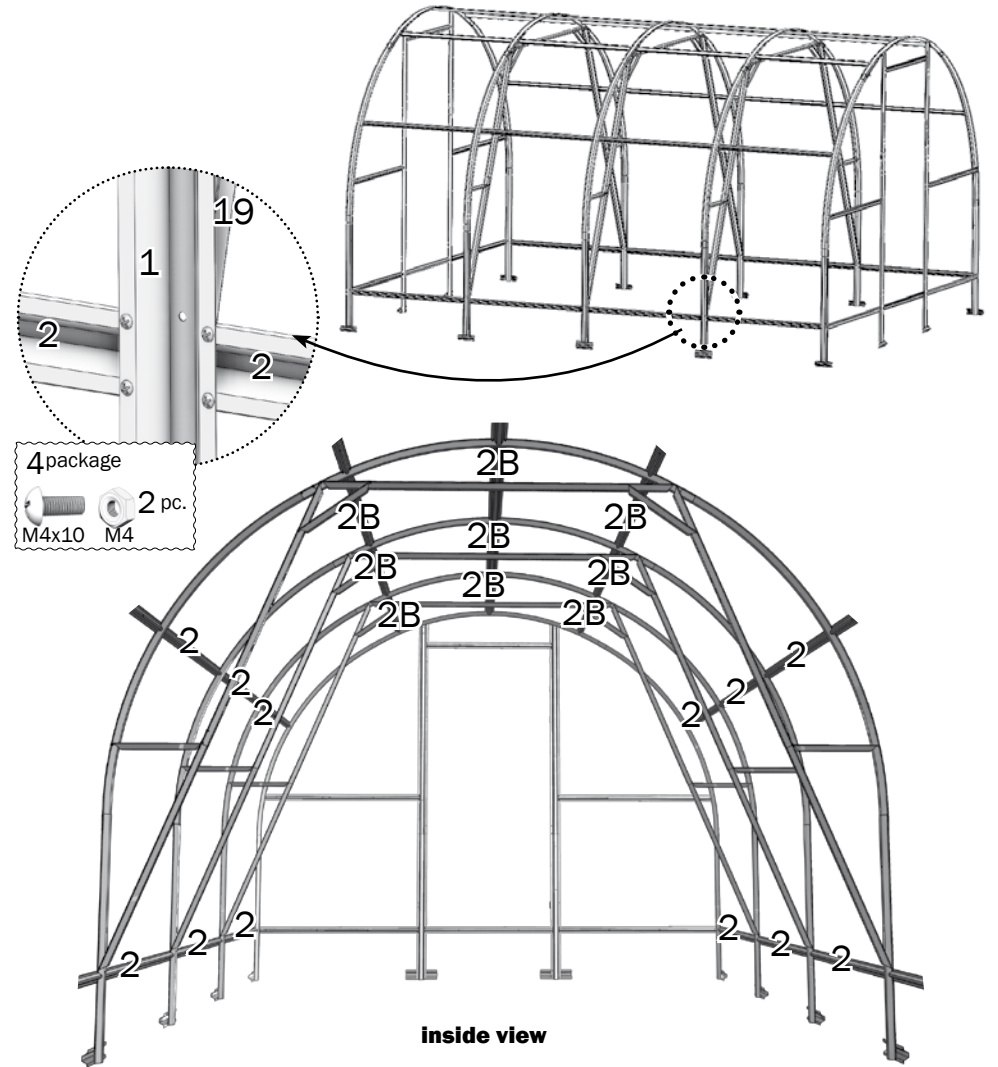
- №1 1 package
- №22 3 package
- 2 4 pc.
- 2B 3 pc.



# 4.2



- №1 1 package
- №22 3 package
- 2 12 pc.
- 2B 9 pc.

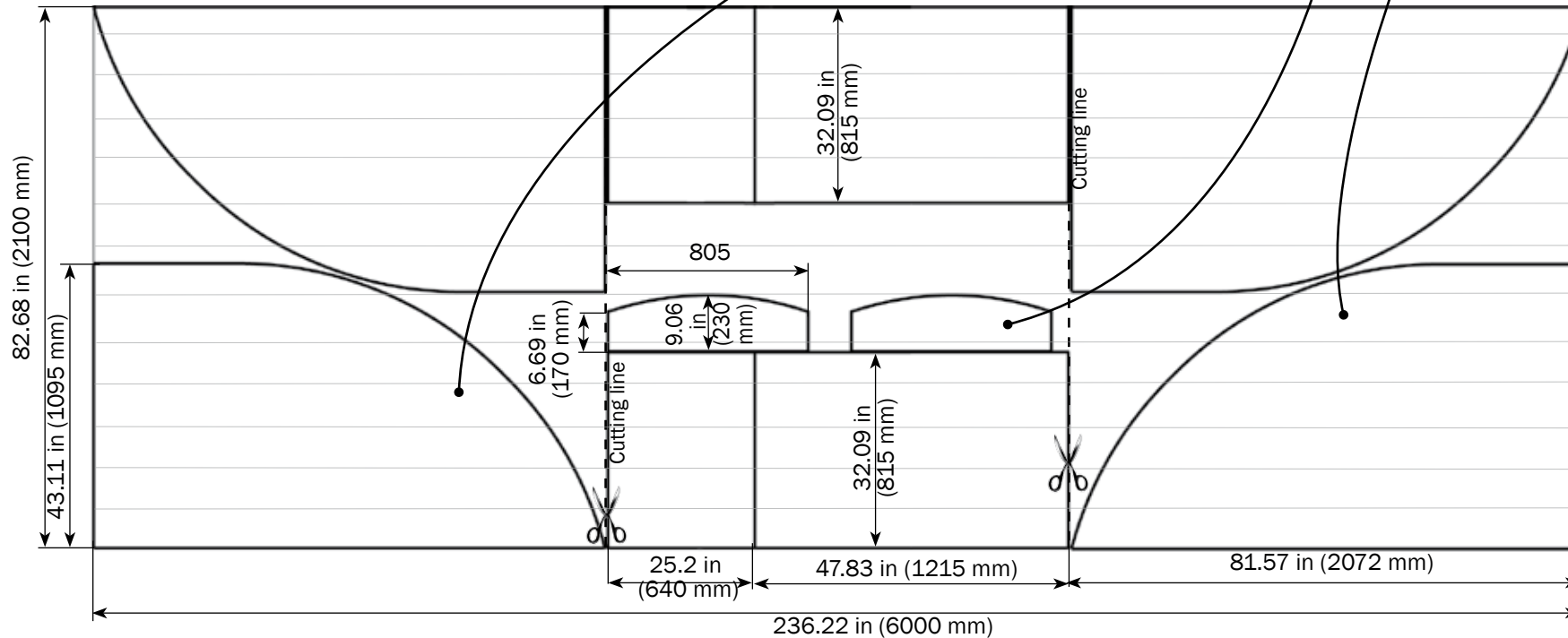
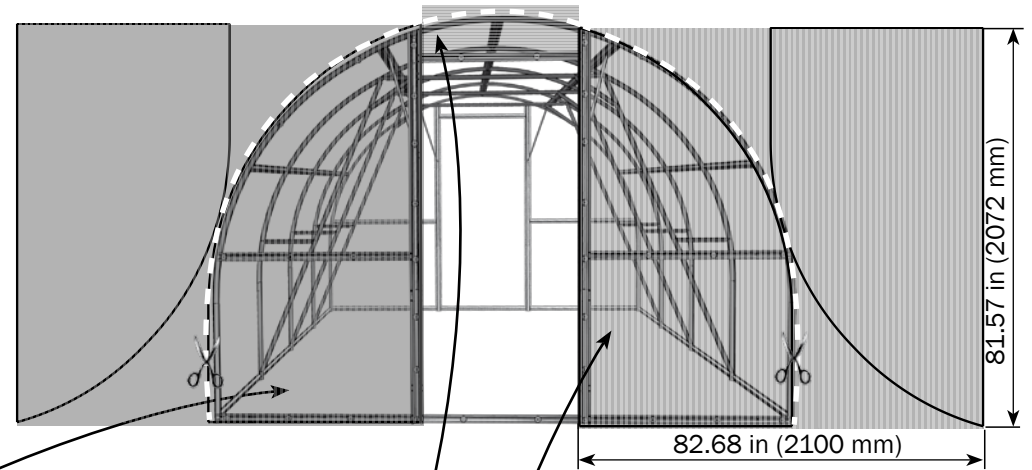
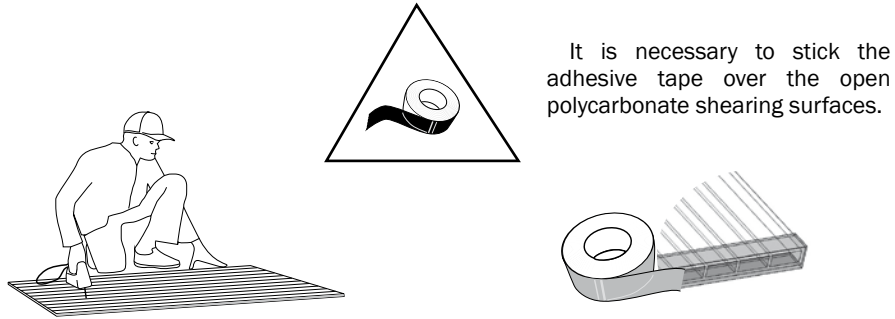




# 7

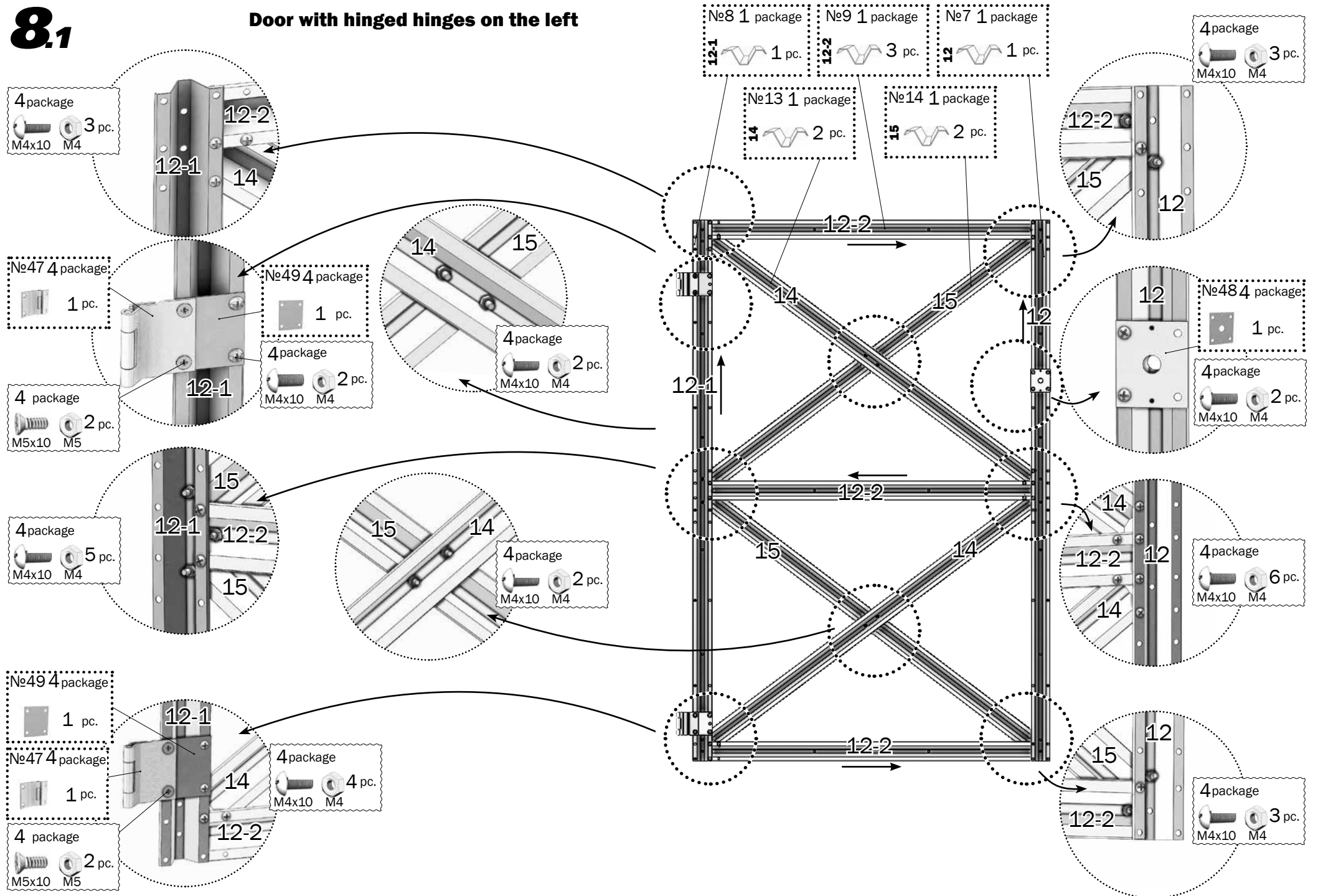
## POLYCARBONATE CUTTING

Cellular polycarbonate panels are installed with a certain surface, which has a protective layer, outside (towards the sun). The protective layer usually has a side with the inscriptions on the transportation film. The other side of the film is transparent. Mark the protective side of the sheet in each panel because after removing the transportation film, the sides of the panel do not visually differ. The transportation film should be removed from both surfaces before fixing the glazing on the frame.



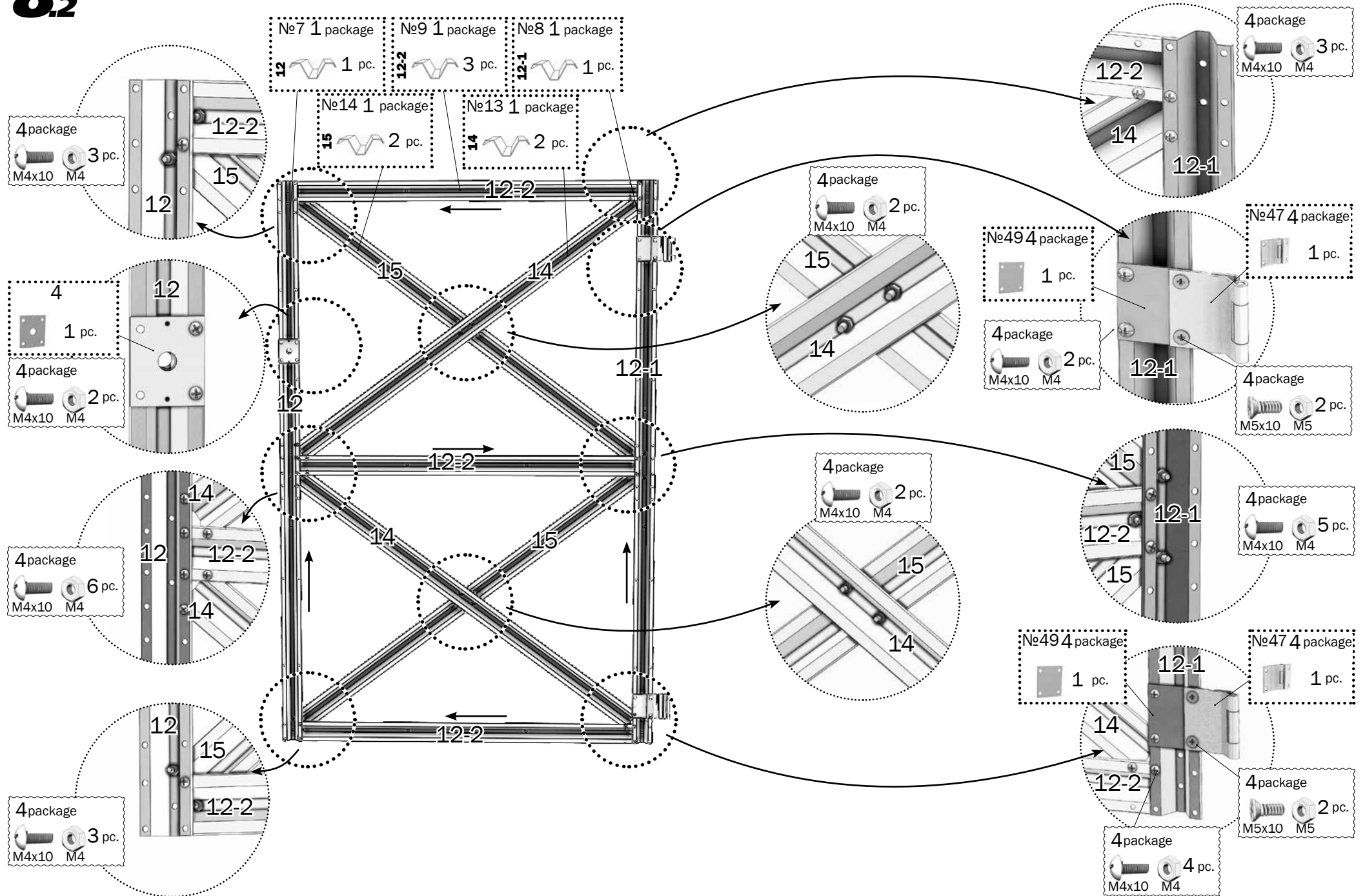
# 8.1

## Door with hinged hinges on the left



# 8.2

## Door with hinged hinges on the right

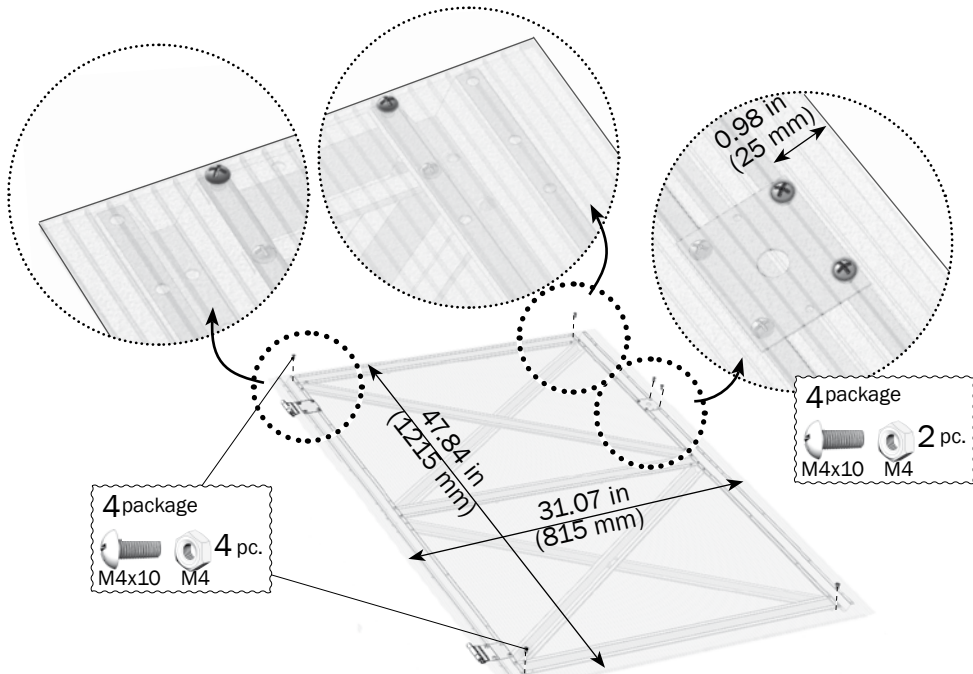




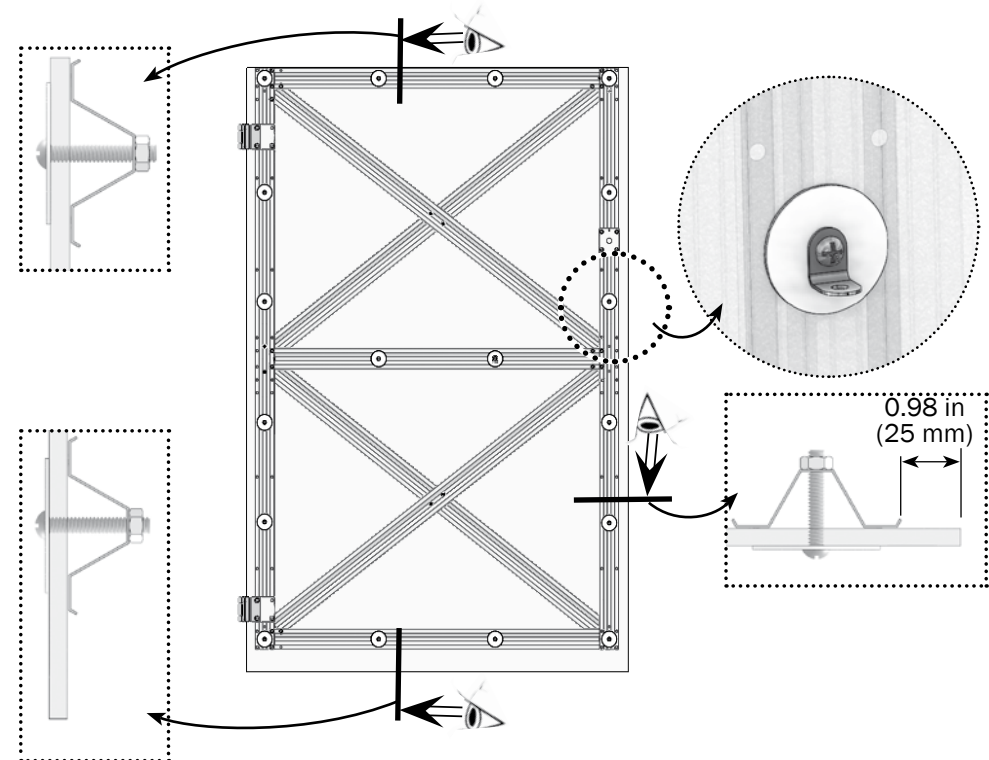
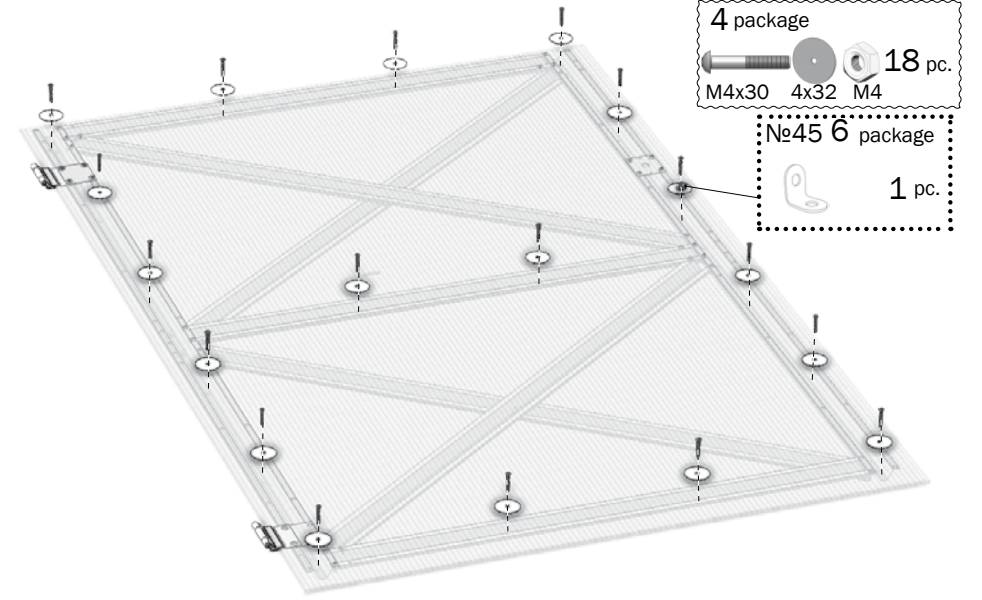
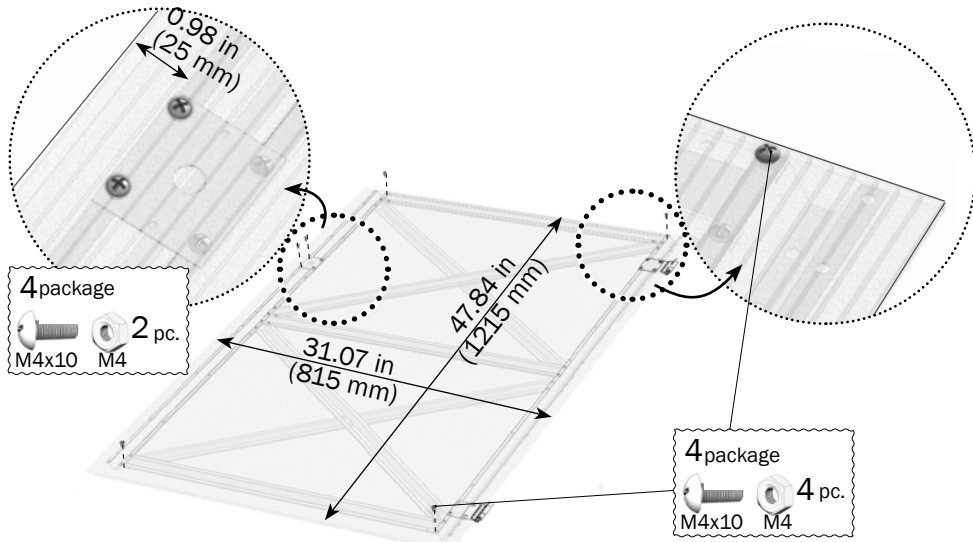
# 8.3

Put the polycarbonate on the door frame, fix it at the 4 corners of the frame with screws, drowning the screw head in the polycarbonate.

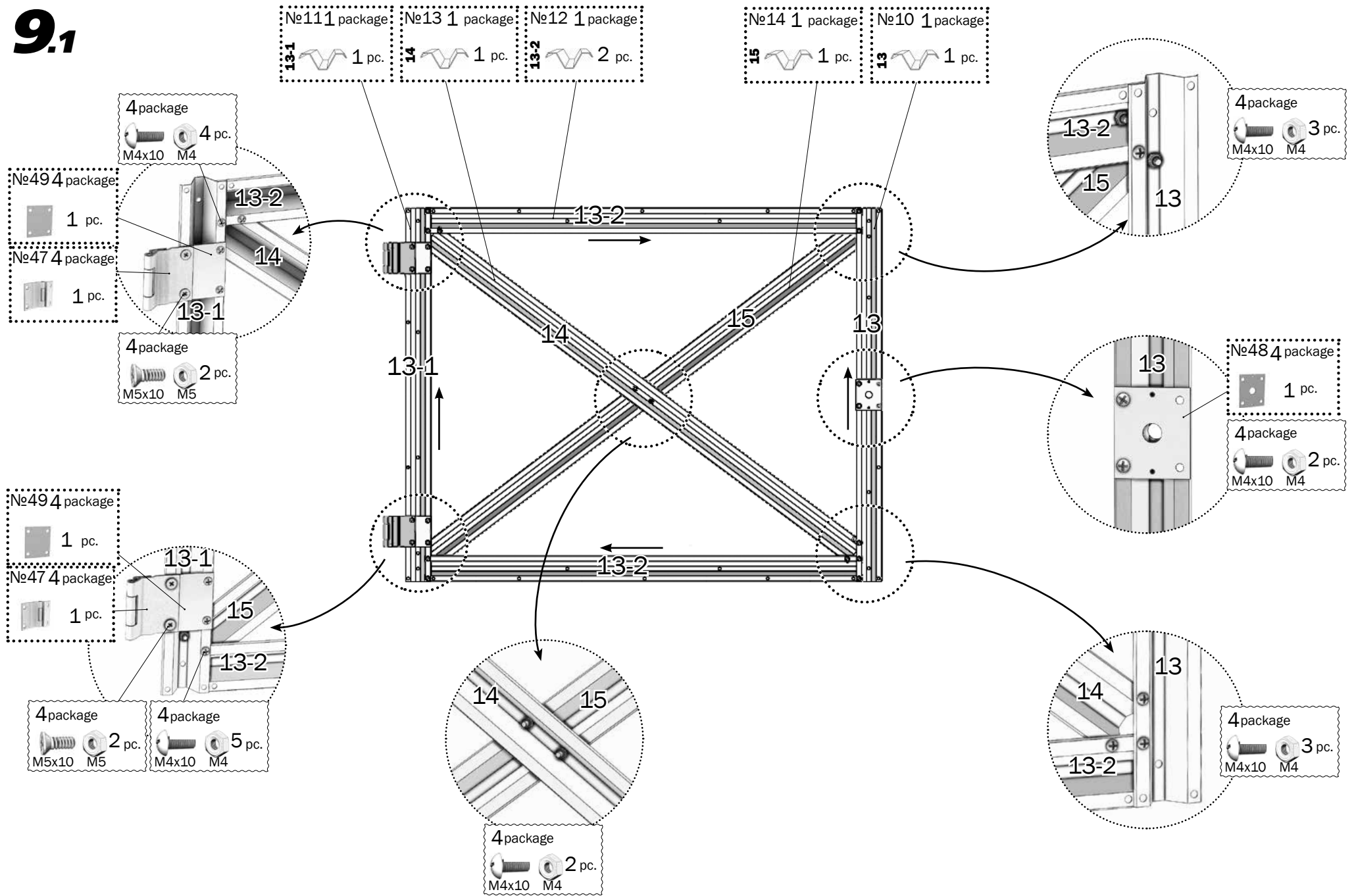
## Door with hinged hinges on the left



## Door with hinged hinges on the right



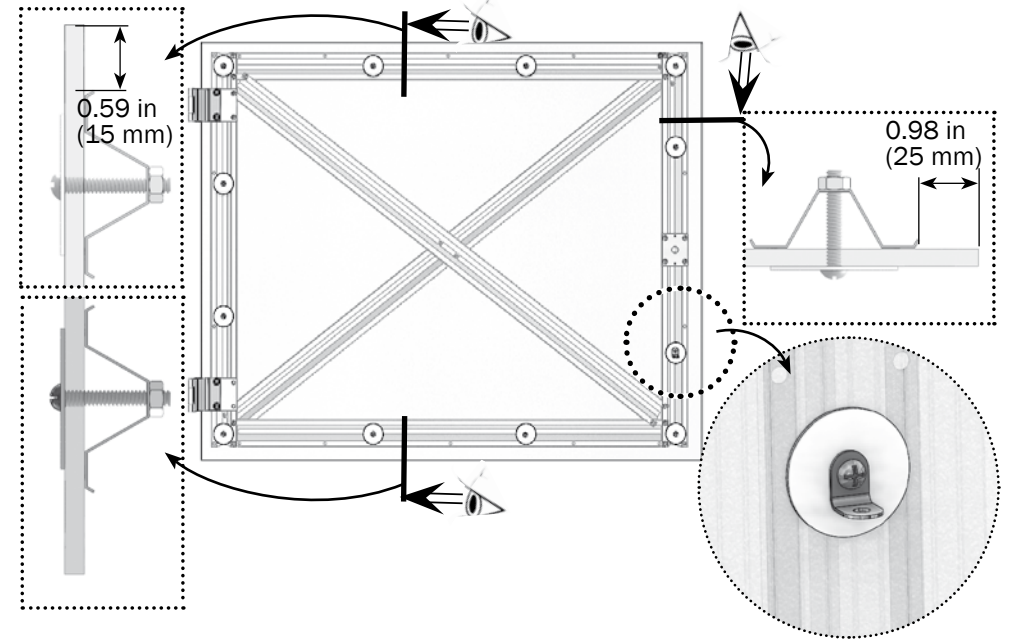
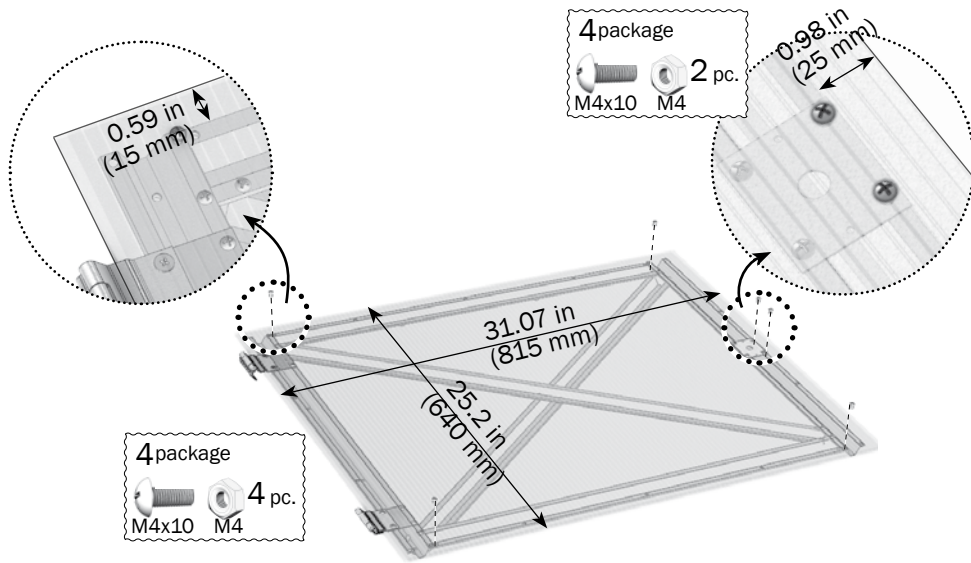
# 9.1



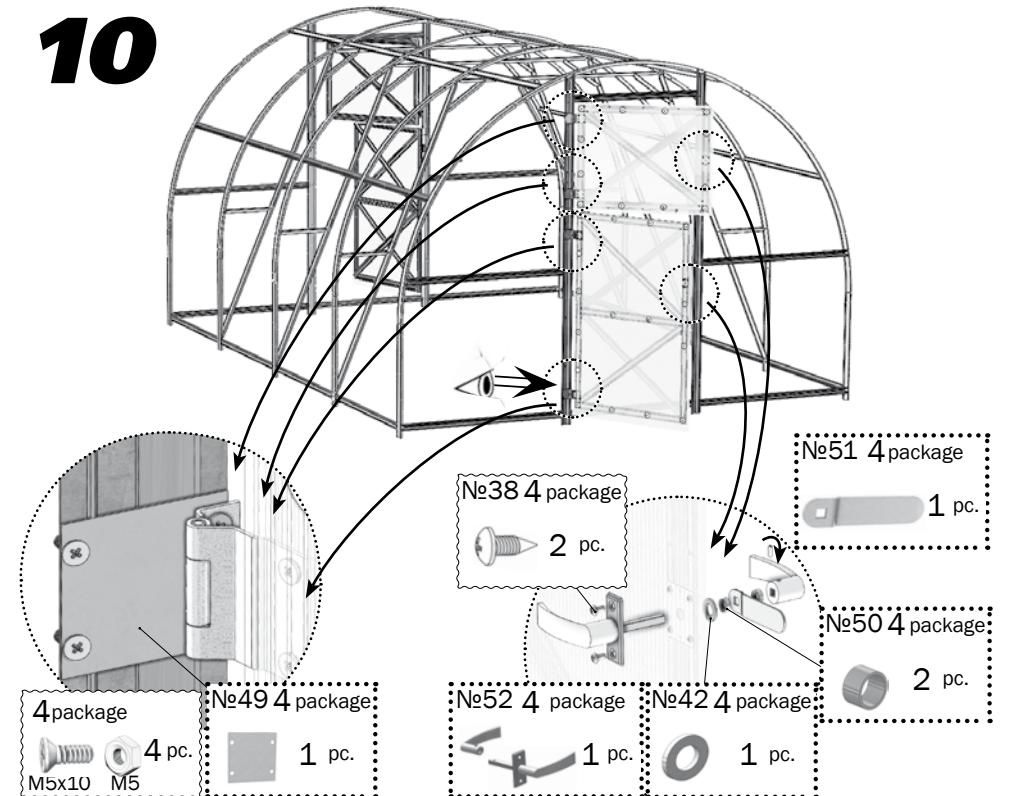
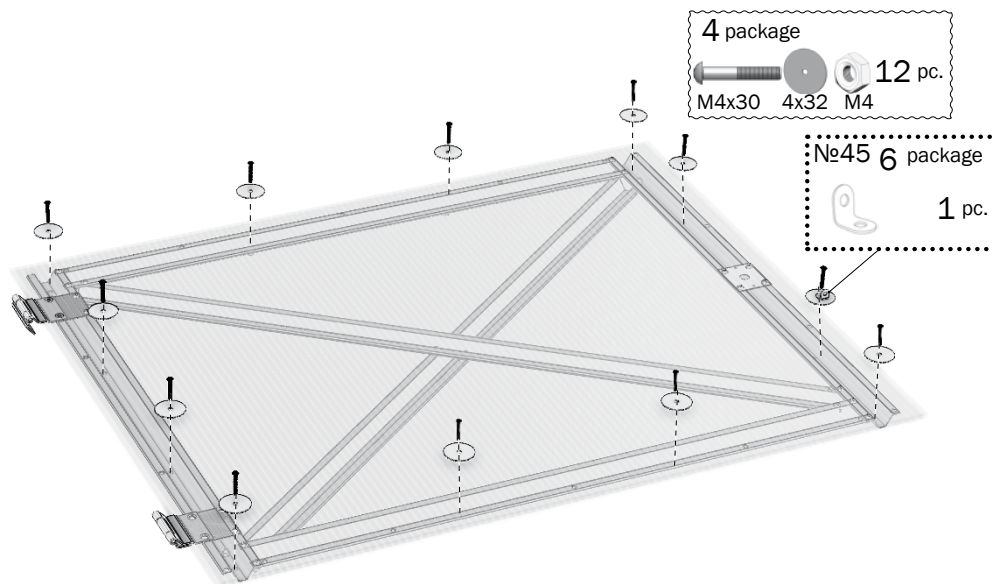


# 9.2

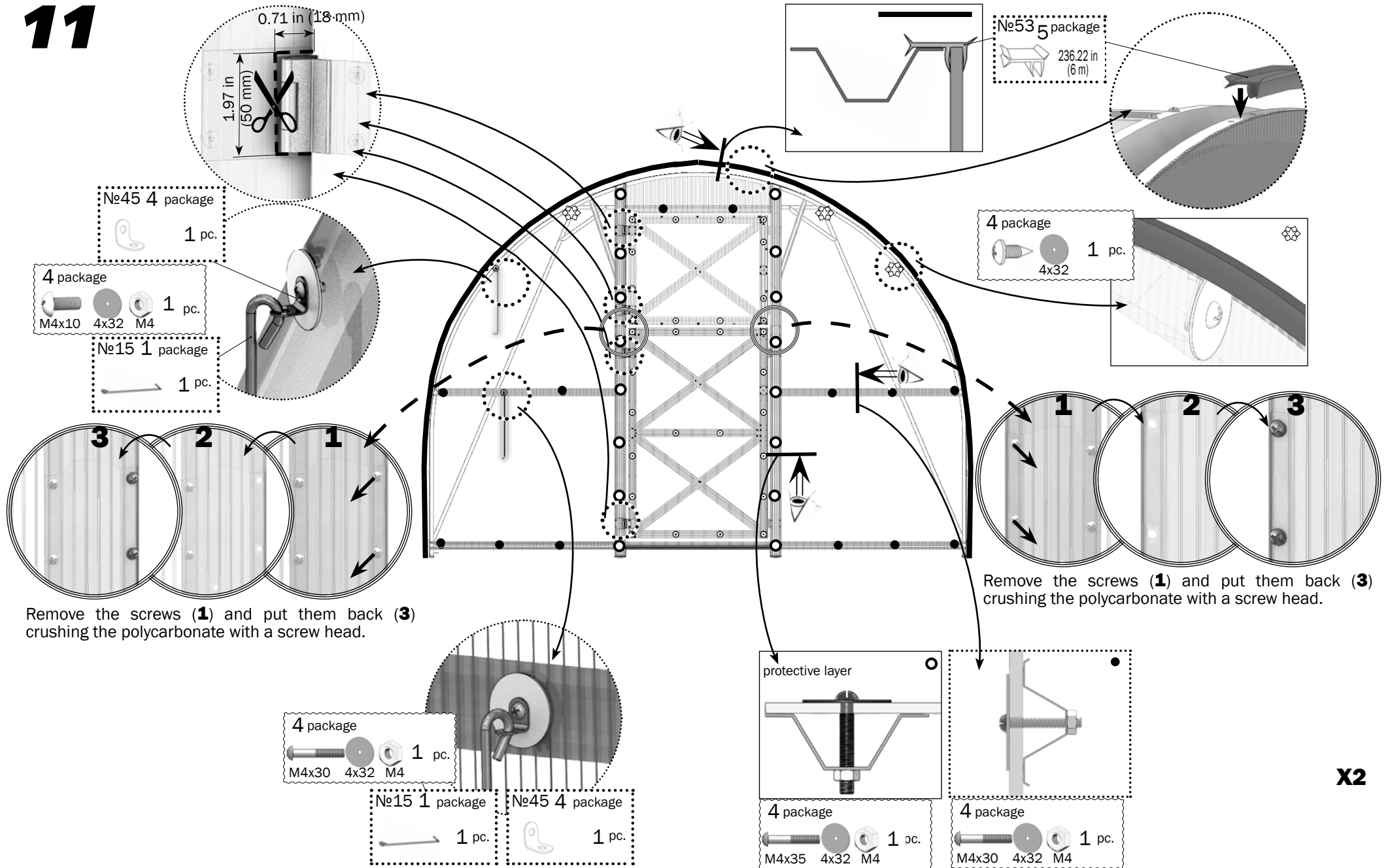
Put the polycarbonate on the window frame, fix it at the 4 corners of the frame with screws, drowning the screw head in the polycarbonate.




# 10

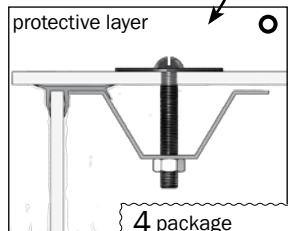
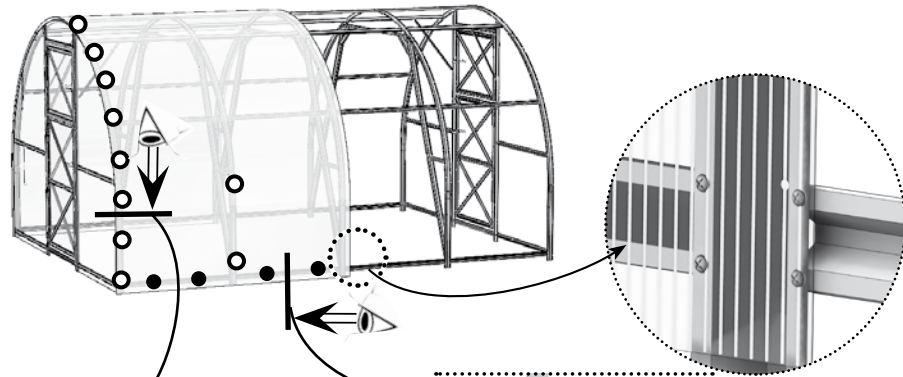
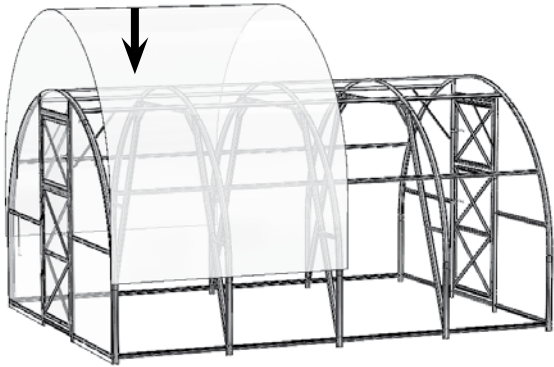


# 11

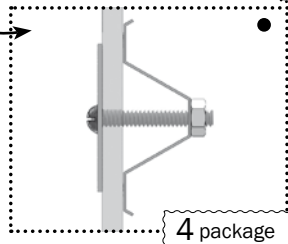


 Avoid excessive tightening of fastening screws to prevent crumbling of polycarbonate and destruction of cellular.

# 12

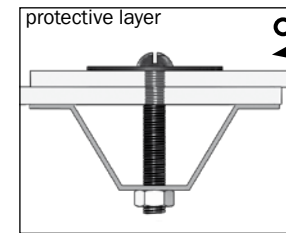
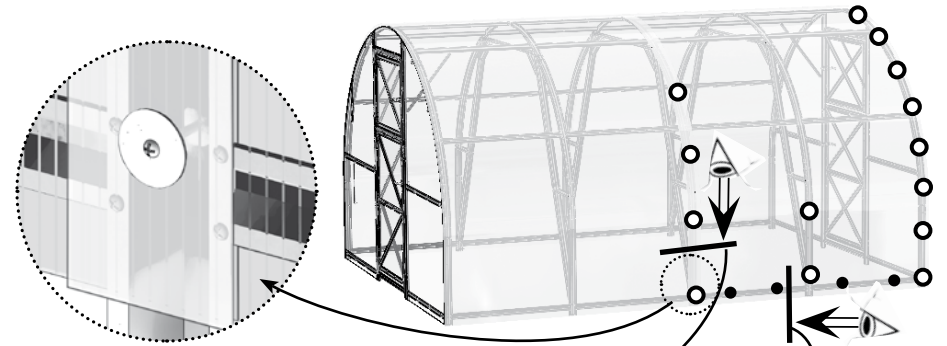
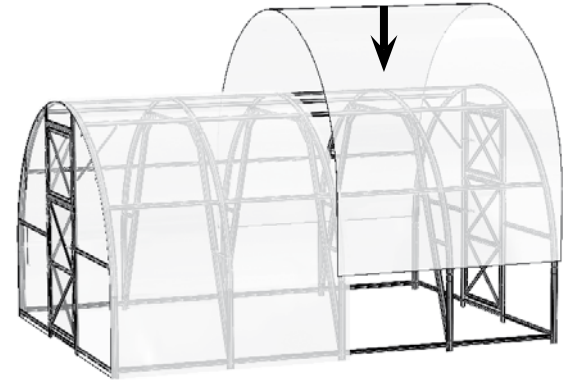


4 package  
 M4x35 4x32 M4 1 pc.

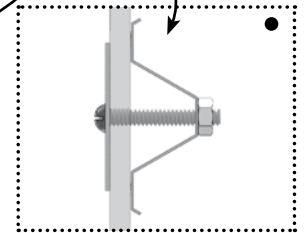


4 package  
 M4x30 4x32 M4 1 pc.

# 13



4 package  
 M4x40 4x32 M4 1 pc.



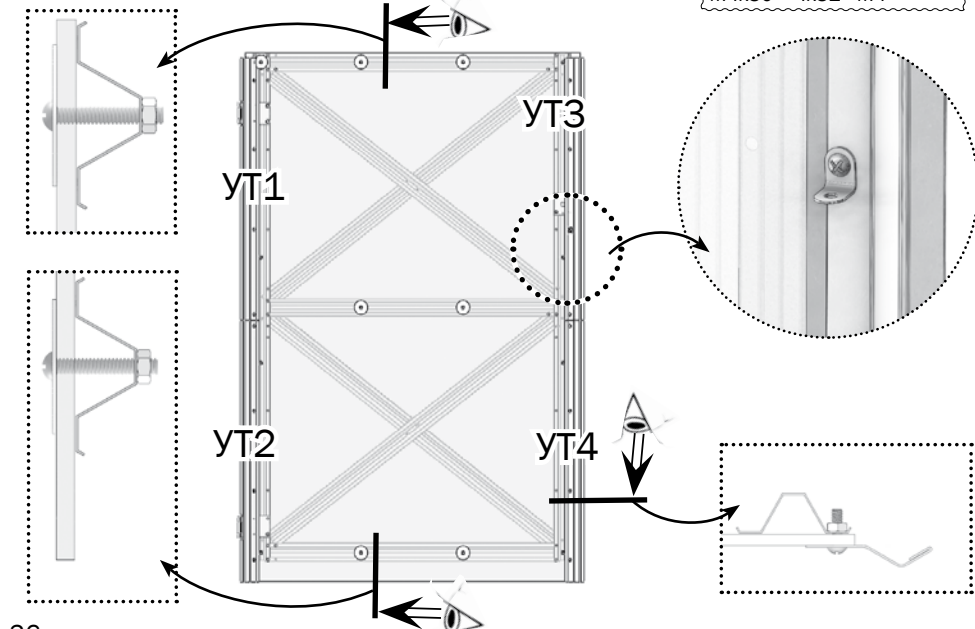
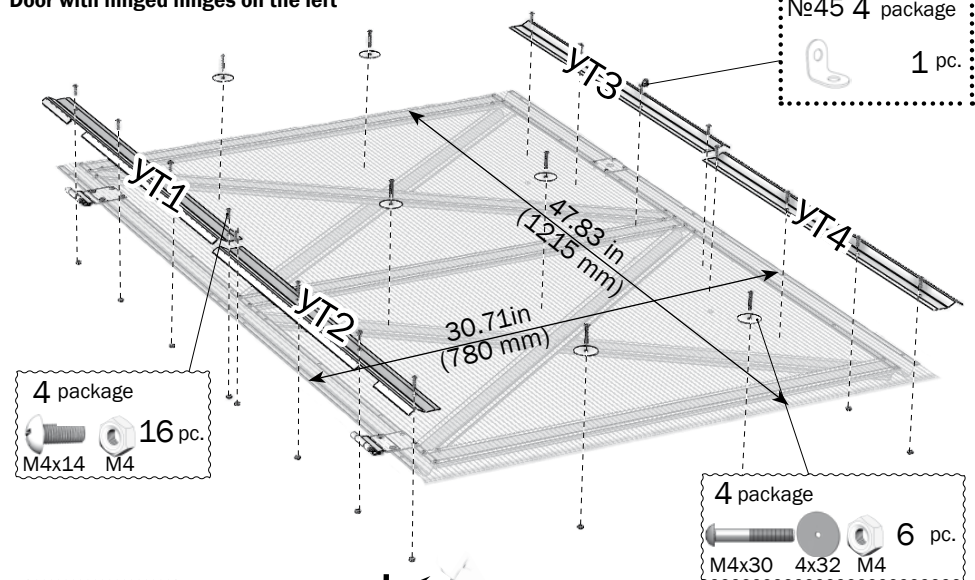
4 package  
 M4x30 4x32 M4 1 pc.



# 14 Mounting of decorative steel lining on the doors and windows (seal). Additional kit (purchase separately).

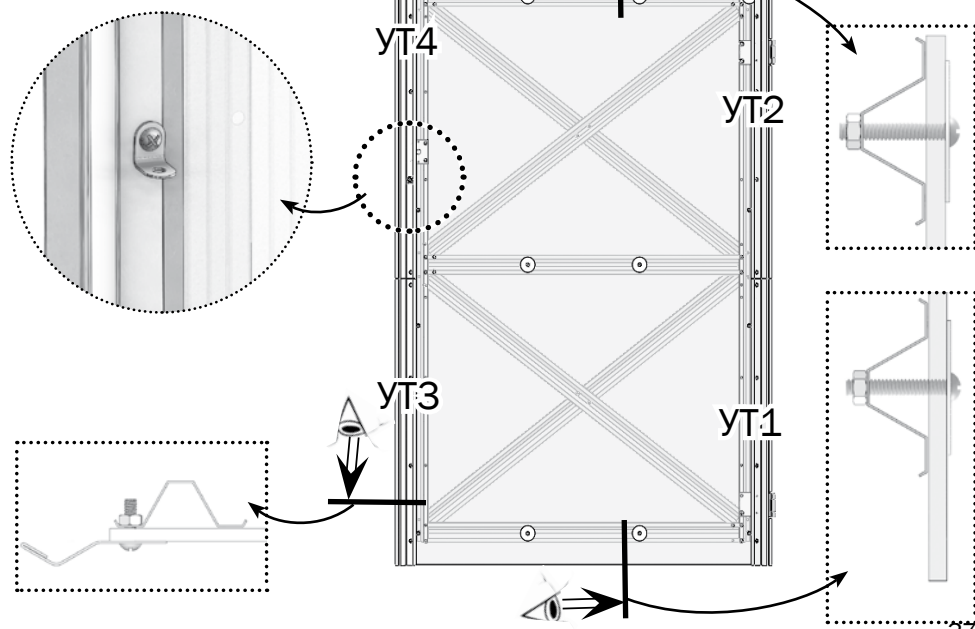
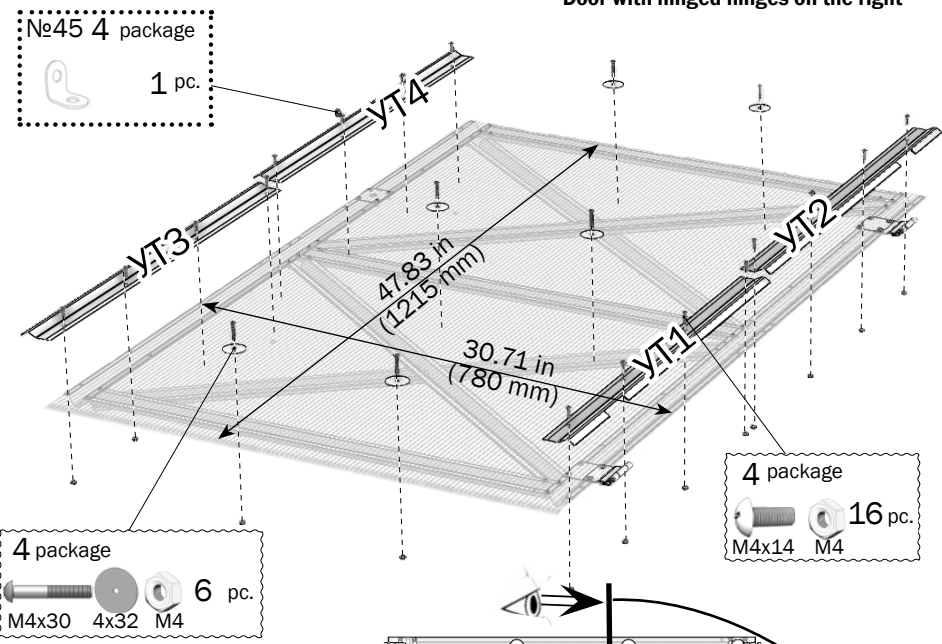
- №54 6 package
- №55 6 package
- №56 6 package
- №57 6 package
- YT1 1 pc.
- YT2 1 pc.
- YT3 1 pc.
- YT4 1 pc.

Door with hinged hinges on the left



- №54 6 package
- №55 6 package
- №56 6 package
- №57 6 package
- YT1 1 pc.
- YT2 1 pc.
- YT3 1 pc.
- YT4 1 pc.

Door with hinged hinges on the right

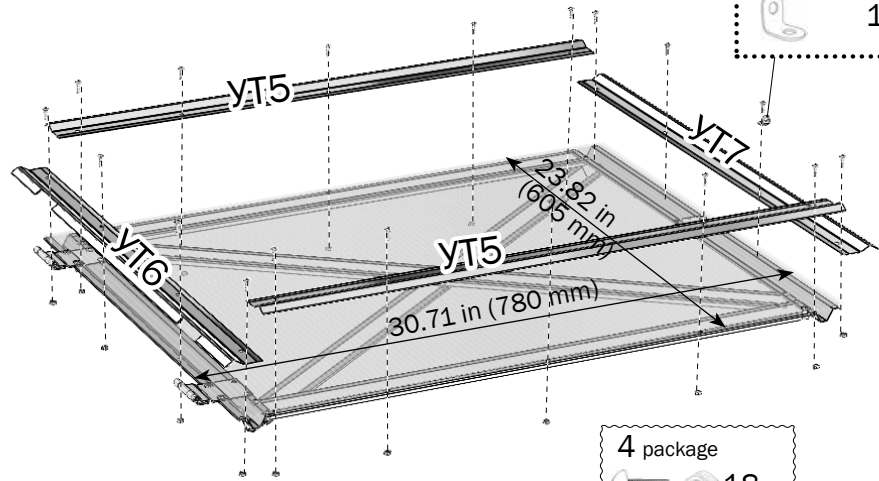


№59 6 package  
YT6 1 pc.

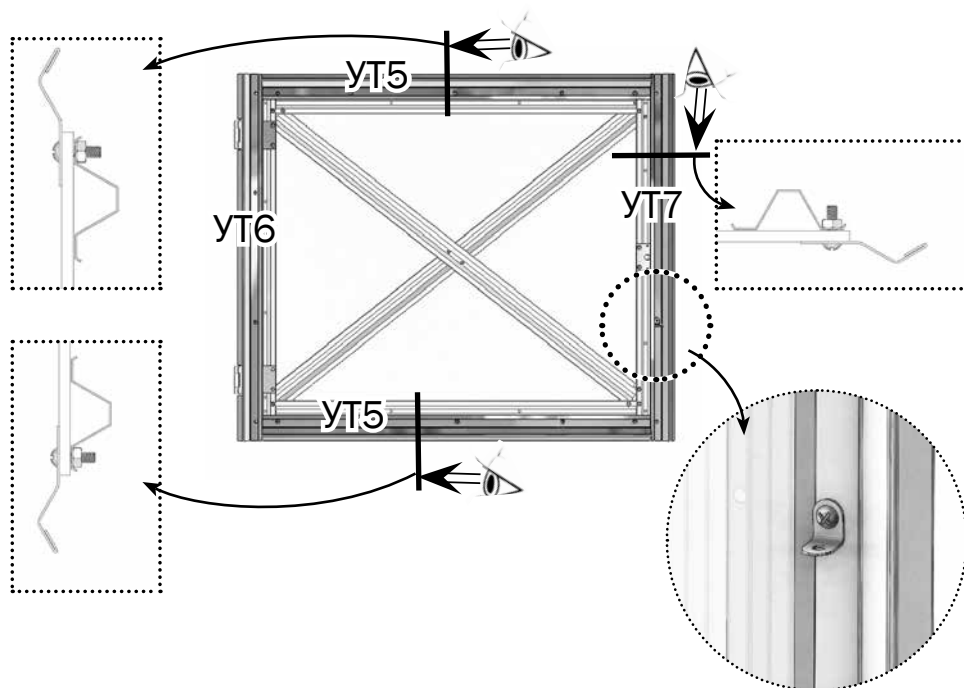
№58 6 package  
YT5 2 pc.

№60 6 package  
YT7 1 pc.

№45 6 package  
1 pc.



4 package  
M4x14 M4 18 pc.





Manufacturer:  
Volya LLC, Dubna, Moscow region  
phone/fax: 8 (495) 598-5-999  
**[www.teplidy.ru](http://www.teplidy.ru)**  
e-mail: [info@perchina.ru](mailto:info@perchina.ru)

THIS MANUAL CANNOT BE REPRODUCED IN ANY FORM, IN WHOLE OR IN PART, WITHOUT AN EXPRESS WRITTEN PERMISSION OF «VOLYA» COMPANY

EN